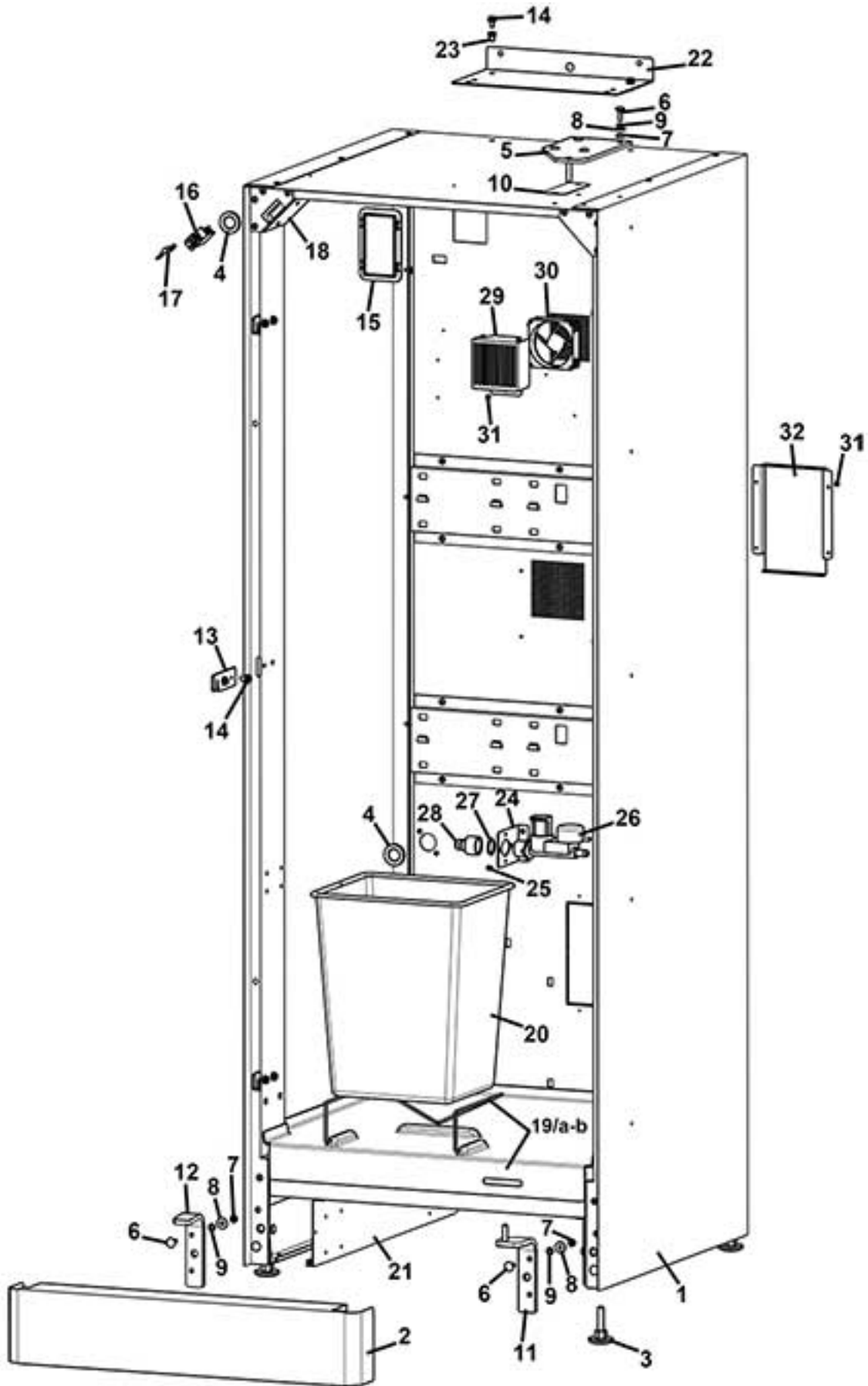


vending machine



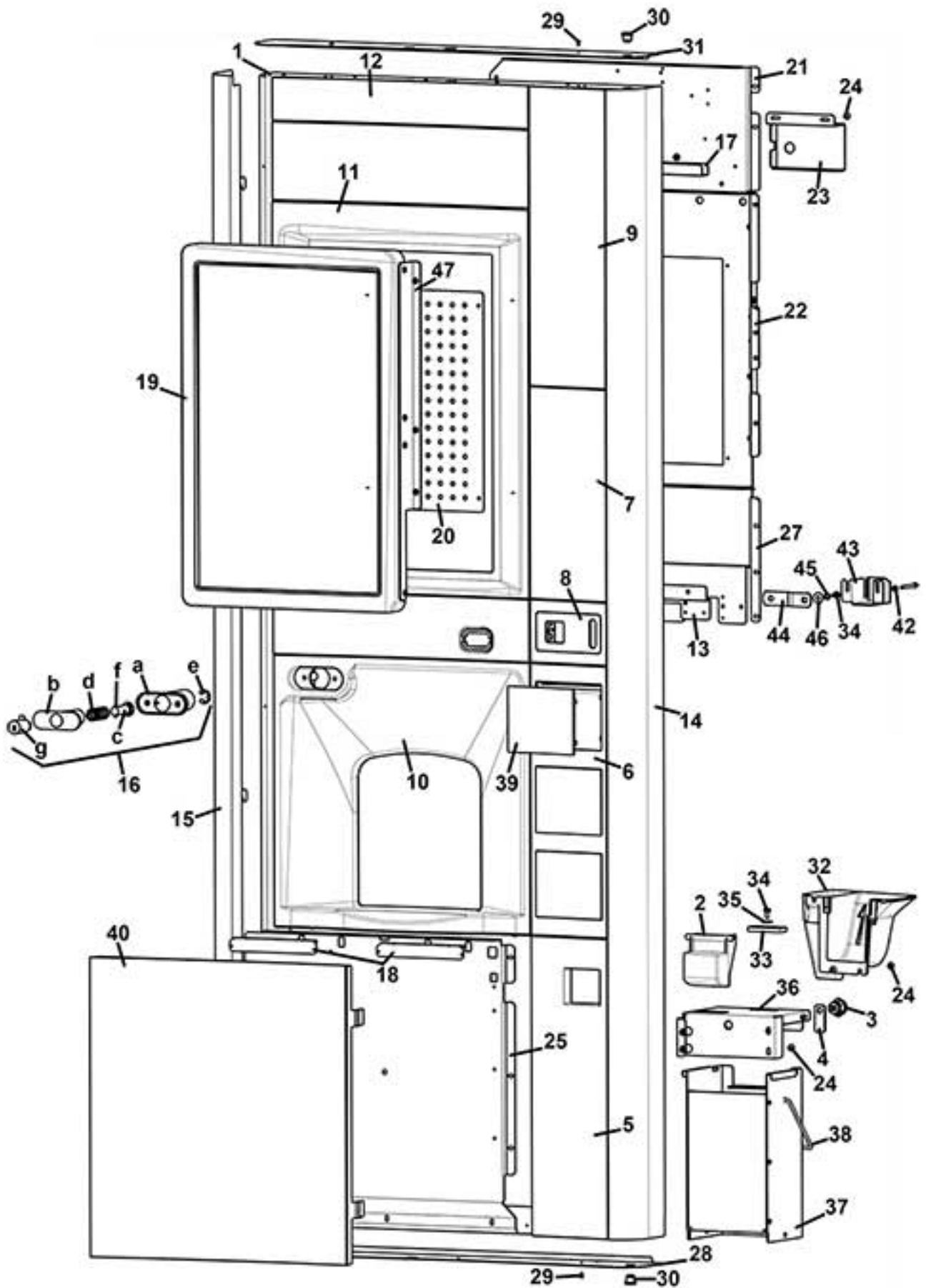
spare parts manual

cabinet



cabinet		
Pos.	Code	Description
1	Z0010030021DACL	§CABINET RAL 9022
2/a	Z0010030055DA	KICK PLATE RAL 9022
2/b	Z0010030059NA	KICK PLATE RAL 9005
3	Z0010013208	MACHINE FOOT
4	GUA0010502	ELECTRICAL GROMMET Ø21
5	Z0010030028	UPPER HINGE
6	VIT0005802	SCREW 6X20
7	VIT0004505	NUT M6
8	VIT0003303	WASHER 6,6X18X1,5
9	VIT0003453	SPRING WASHER 6,4
10	Z0010030042	THICKNESS HINGE
11	Z0010030029	LOWER HINGE
12	Z0010030031	MACHINE FOOT
13	Z0010030015	LOCK HOOK
14	VIT0000236	SCREW HEX HEAD M6X11
15	Z0010030054NA	WIRING SUPPLY COVER (BLACK)
16	ELE0002009	BIPOLAR SWITCH 15A 250V
17	Z0270011109CL	§ SERVICE KEY
18	Z0010030075	DOOR SWITCH SUPPORT
19	Z0010032019NA	BOTTOM PROTECTION (BLACK)
20	CON0000201	BIN
21	Z0010030077	CABINET REINFORCEMENT
22	Z0010018071	MACHINE FIXING PLATE
23	VIT0005702	THREADED INSERT
24	Z0070012111CK	INLET H2O VALVE SUP. RAL7037
25	VIT0002010	SCREW ST HEAD CAP M3.5X9.5
26	Z0110001119	WATER INLET VALVE 24V DC
27	GUA0000021	OR 130 NBR AL 75 BLACK
28	Z0010019223	H2O INLET CONNECTOR 3/4F-3/8M
29	Z0010030043	FAN SUPPORT
30	ELE0000463R	§ FAN 24V DC D.80
31	VIT0002009	SCREW ST HEAD CAP M3.5X6.5
32	Z0012300244NA	COVER BACK

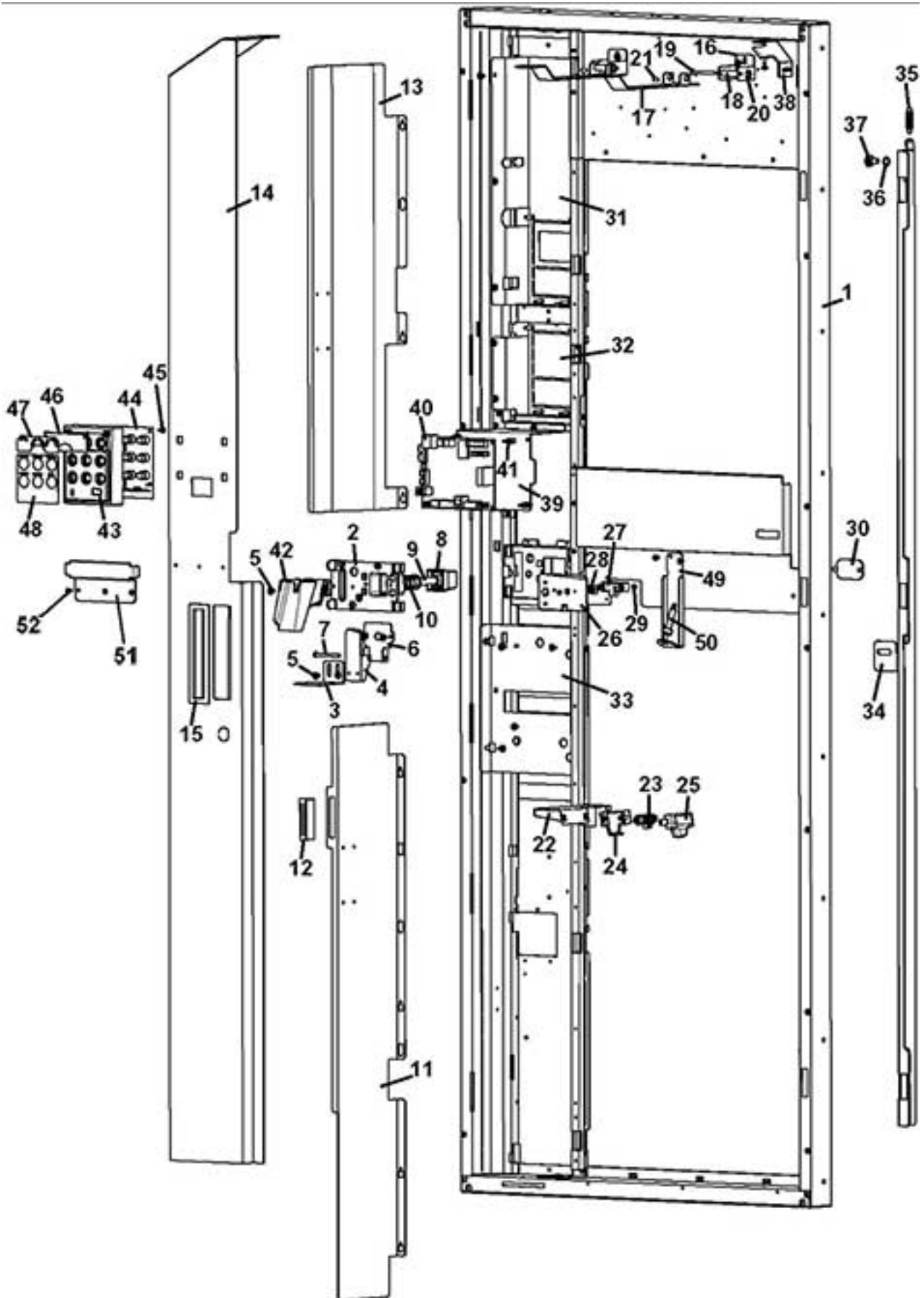
external door



external door		
Pos.	Code	Description
1	Z0020042005	§ DOOR
2	Z0020042056XC	COINS RETURN FLAP CHROME
3	SER0000010	LOCK MM20 C.3480
4	SER0001005	LOCK PLATE
5/a	Z0020042045DA	COIN RETURN FRAME RAL9022
5/b	Z0020042045AJ	COIN RETURN FRAME RAL9010L
6/a	Z0020042044DA	INSTRUC. MODULE FRAME RAL9022
6/b	Z0020042044AJ	INSTRUC.MODULE FRAME RAL9010L
7/a	Z0020042437DA	COIN ENTRY FRAME RAL9022
7/b	Z0020042437AJ	COIN ENTRY FRAME (RAL9010)
8	Z0020042256	INLET COINS PLATE
9		See table PRINTER ASSEMBLY
10		See table 2 turrets cups station
11/a	Z0020042435DA	MONITOR MOUNTING FRAME RAL9022
11/b	Z0020042435AJ	MONITOR MOUNTING FRAME (RAL9010)
12/a	Z0020042436DA	UPPER FRAME (RAL 9022)
12/b	Z0020042436AJ	UPPER FRAME (RAL 9010)
13	Z0020042417	FRAME MOUNTING PLATE
14/a	Z0020042013DA	RIGHT DOOR COVER RAL9006
14/b	Z0020042838CM	RIGHT DOOR COVER RAL9006
15/a	Z0020042058DA	LEFT DOOR COVER RAL9006
15/b	Z0020042840CM	LEFT DOOR COVER RAL9006
16_1	1150003200DA	LOCK RAL9022
16_1/a	1150003126DA	SLEEVE (RAL9022)
16_1/b	1150002112NA	SLEEVE BLACK
16_1/c	1150002111	PIN
16_1/d	1150002113	SPRING
16_1/e	VIT0006508	RING 10
16_1/f	VIT0005203	DOWEL PIN 4X18
16_1/g	SER0000003	LOCK c.7851
16_2	1150003200AJ	LOCK (RAL9010)
16_2/a	1150003126AJ	SLEEVE (RAL9010)
16_2/b	1150002112AJ	SLEEVE (RAL9010)
16_2/c	1150002111	PIN
16_2/d	1150002113	SPRING
16_2/e	VIT0006508	RING 10
16_2/f	VIT0005203	DOWEL PIN 4X18
16_2/g	SER0000003	LOCK c.7851
17	Z0020042438	UPPER PLEXIGLASS SUPPORT
18	Z0020042296	LIGHTING PANEL FIXING SUPPORT
19	ELT0030437-02	LCD TFT 22" W/TOUCH PANEL
20	Z0020042408	BOARDS COVER
21	Z0020042401-06	MONITOR UPPER PLATE
22	Z0020042412	MONITOR SUPPORT
23	Z0020042448	MONITOR SUPPLY SUPPORT
24	VIT0002401	SCREW ST HEAD CAP M3.5X9.5
25	Z0020042148	LOWER GRAPHIC PANEL PLATE

external door		
27	Z0020042403	MONITOR LOWER PLATE
28	Z0020042075	DOOR LOWER CLOSING PLATE
29	VIT0007020	BLIND RIVET
30	Z0020034156	DOOR HINGE BUSH
31	Z0020042061	DOOR UPPER CLOSING PLATE
32	Z0020042014CY	COINS RETURN CHUTE RAL9018
33	Z0020042030	COIN RETURN FLAP COUNTERWEIGHT
34	VIT0000208	SCREW HEX HEAD M5X10
35	VIT0003302	WASHER 5,5X15X1,6
36	Z0020042095	COIN BOX LID
37	Z0030006255CL0	§COIN BOX Include cod.Z0030006258 HOOK
38	Z0030006258	COIN BOX HOOK
39/a	Z0020042079	INSTRUCTION MODULE
39/b	Z0020042079AJ	INSTRUCTION MODULE (RAL 9010)
40/a	Z0020042015ND	PLEXIGLASS GRAP.PANEL BLACK
40/b	Z0020042015AJ	PLEXIGLASS PICTURE (RAL9010)
41	VIT0000125	SCREW COUNT FLAT HEAD M4X45
42	VIT0004815	NUT M4
43	Z0020042280	LOCK PROTECTION
44	Z0020042036	LOCK PLATE
45	VIT0003104	SPRING WASHER 5,3
46	VIT0003302	WASHER 5,5X15X1,6
47/a	Z0020042411	RIGHT MONITOR SUPPORT
47/b	Z0020042409	LEFT MONITOR SUPPORT
100	Z0020042410R	§ 22" MONITOR SUPPORT Pos.19+47/a+47/b

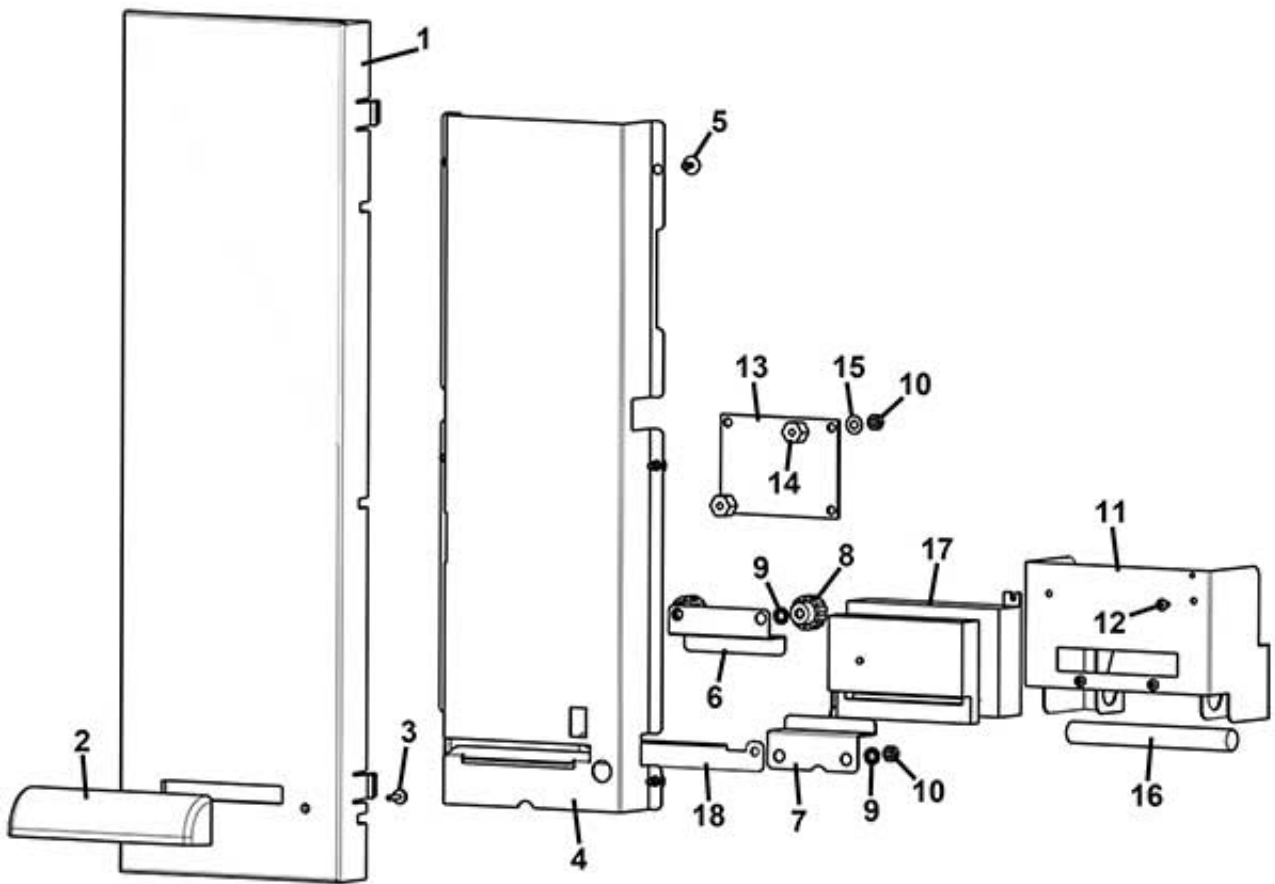
internal door



internal door		
Pos.	Code	Description
1	Z0020042005	§ DOOR
2	Z0020042083	COIN ENTRY GUIDE
3	Z0020042052	LOWER BRACKET
4	Z0020042057	UPPER BRACKET
5	VIT0002401	SCREW ST HEAD CAP M3.5X9.5
6	Z0020042064	COIN RETURN BUTTON PLATE
7	Z0020034173	DOOR STOP IN
8	Z0020042062XC	COIN RETURN BUTTON CHROMO
9	Z0020034023	COIN RETURN PIN
10	4050010074	COIN RETURN BUTTON SPRING
11	Z0020042345R	§ PAYMENT SYSTEM COVER 4C X2
12	ELE0000103	MAGNETIC CLICK-LOCK
13	Z0020042110	PAY. SYSTEM SUPPORT COVER
14	Z0020042919CL	§PAYM SYSTEM COVER 4C
15	Z0020034823	HANDLE
16	Z0020042124	UPPER HINGE TURRET SUPPORT
17	Z0020042126	TURRET 4COLUMNS UPPER HINGE
18	Z0020038167	HINGE SPACER
19	Z0020034173	DOOR STOP IN
20	VIT0007102	BENZING CLIP
21	ELT0030560	MAGNET D.8X4
22	Z0400009078	SENSOR SUPPORT
23	ELT0006813	DISTANCE SENSOR
24	Z0020040671	CUP SENSOR LOWER COVER
25	Z0020040672	CUP SENSOR UPPER COVER
26	Z0020042440	PERSON SENSOR SUPPORT
27	ELT0006817	PERSON PRESENCE SENSOR
28	Z0020024056	SPACER
29	VIT0000040	SCREW HEAD TAP CAP M3X4
30	Z0020042251	PLEXIGLASS SENSOR
31	Z0020042106	PAY. SYSTEM PLATE
32	Z0020042149	PAYMENT SYSTEM PLATE
33	Z0020042063	PAYM SYSTEM SUPPORT
34	Z0020042913-02	DOOR BLOCK SHAFT
35	Z0020042911	DOOR BLOCK SHAFT SPRING
36	Z0020042912	SPACER
37	Z0020029923	FIXING SCREW
38	Z0020042162	DOOR SWITCH SUPPORT
39	Z0020042103	CPU SUPPORT
40	SCH0007904	CPU BOARD (2017)
41	ELE0062003	BOARD SUPPORT
42	Z0020042051CY	COINS ENTRY CHUTE RAL9018
43	Z0020042172AH	PROGRAM KEYPAD SUPPORT
44	SCH0007182	PROGRAM KEYPAD
45	VIT0002469	SCREW HEAD TAP M3.5X10
46	Z0020042171	KEYBOARD COVER
47	Z0020042164	PROGRAMM LABEL

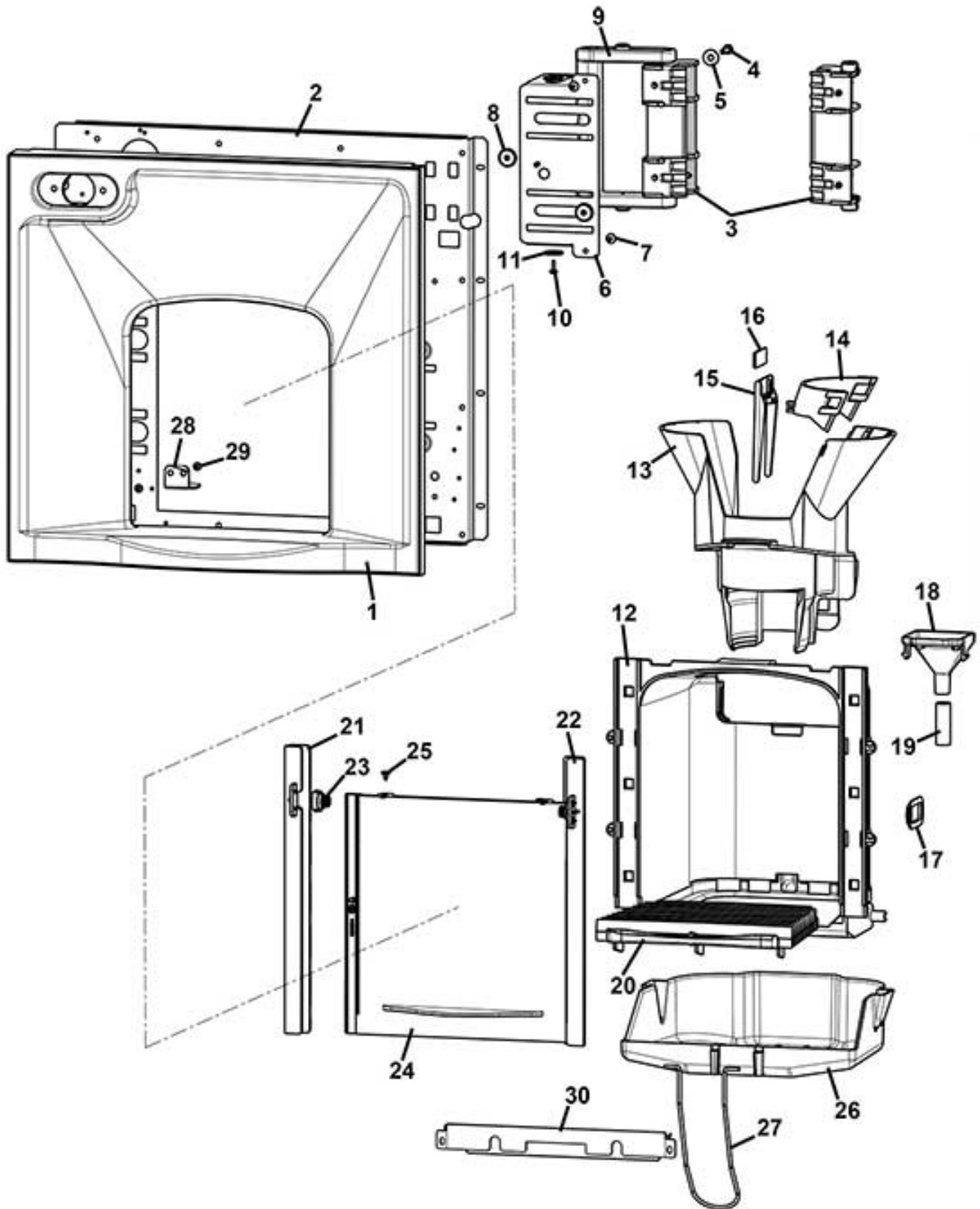
internal door		
48	Z0020042165	CLEANING LABEL
49	Z0020042261	CUPS STATION LED SUPPORT
50	ELT0006781	CUPS STATION LED 24V
51	Z0020042150	INGREDIENT CANISTER SUPPORT
52	VIT0007020	BLIND RIVET

PRINTER ASSEMBLY



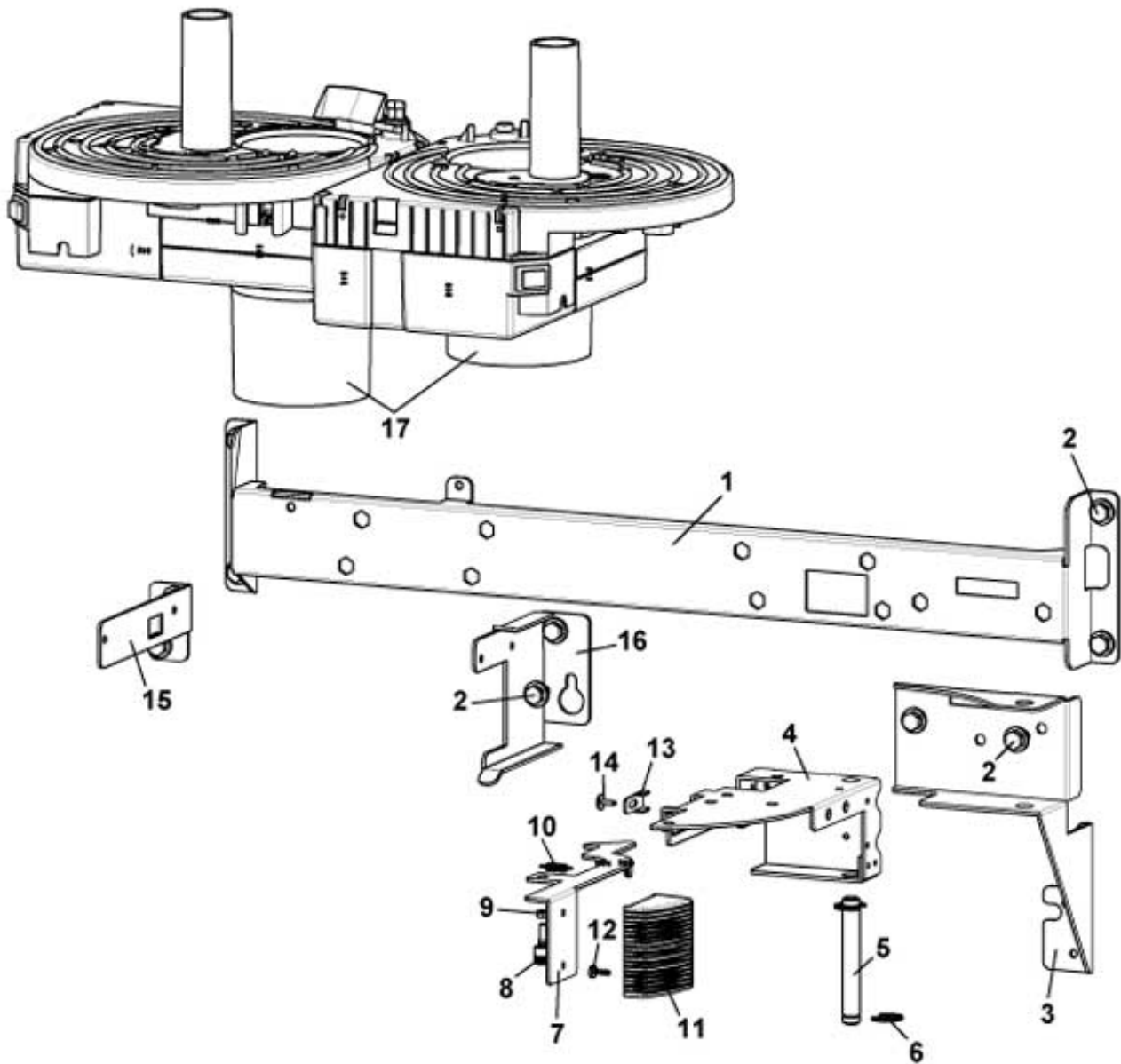
PRINTER ASSEMBLY		
Pos.	Code	Description
1	Z0020042201DA	PRINTER FRAME (PEARL LIGHT GREY RAL 9022)
2	Z0020042306DA	PRINTER COVER RAL9022
3	VIT0002469	SCREW HEAD TAP M3.5X10
4	Z0020042196	PRINTER FIXING PLATE
5	VIT0002401	SCREW ST HEAD CAP M3.5X9.5
6	Z0020042198	UPPER FIXING PRINTER PLATE
7	Z0020042199	LOWER FIXING PRINTER PLATE
8	VIT0009159	HANDLE
9	VIT0003103	SPRING WASHER 4,3
10	VIT0004503	NUT M4
11	Z0020030329	PAPER ROLL SUPPORT
12	VIT0002001	SCREW ST HEAD CAP M2.9X6.5
13	SCH0006680	PRINTER BOARD
14	Z0020018125	SPACER
15	VIT0003502	WASHER 4,3X8X0,5
16	Z0020030333	PIN
17	ELT0030817	PRINTER
18	Z0020042531	PRINTER EXTENSION

2 turrets cups station



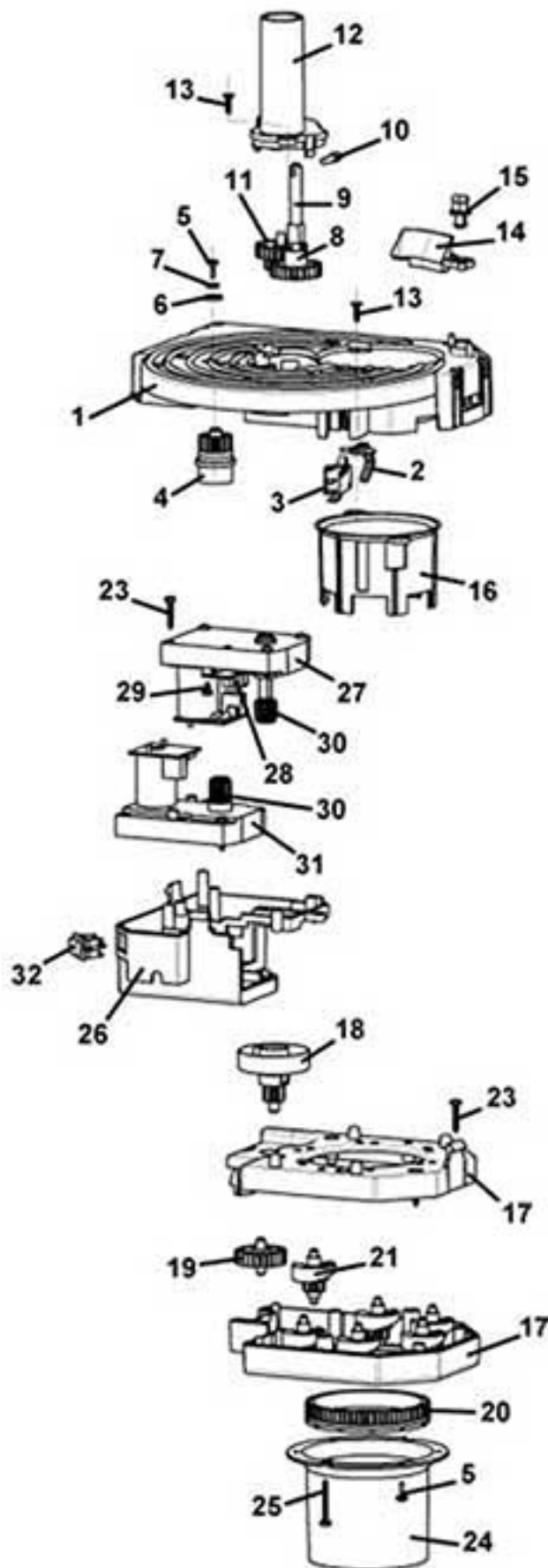
2 turrets cups station		
Pos.	Code	Description
1/a	Z0400009013NA	CUPS STATION FRAME BLACK
1/b	Z0400009040AJ	CUP STATION FRAME RAL 9010L
2	Z0400009014	CUPS STATION SUPPORT
3	Z0400009007CY	CUP STATION PLATE
4	VIT0001110	SCREW HEX HEAD M5X20
5	VIT0003302	WASHER 5,5X15X1,6
6	Z0400009121	HANDLE SUPPORT
7	VIT0002401	SCREW ST HEAD CAP M3.5X9.5
8	Z0400009009	CUP STATION SPACER
9	Z0400009008IC	CUP STATION HANDLE RAL2011
10	VIT0002469	SCREW HEAD TAP M3.5X10
11	VIT0003305	WASHER 5,5X20X2
12	Z0400009001CW	CUPS STATION FRAME RAL7043
13	Z0400009002CW	DOUBLE CUP CHUTE RAL7043
14	Z0400009026CW	DOUBLE CHUTE ADAPTER RAL7043
15	Z0400009027CW	CUP STOPPER RAL7043
16	Z0020042219	CUP STOPPER WEIGHT
17	Z0400009018	SENSOR PLUG
18	Z0400009015CW	DROPS CHUTE RAL7043
19	TSIL10/14T	SILICON HOSE 10X14
20	Z0400009019CW	CUP STATION GRID (RAL7043)
21	Z0400009851CWR	§ DOOR GUIDE LH+RH RAL 7043 Pos.21+22
22	Z0400009851CWR	§ DOOR GUIDE LH+RH RAL 7043 Pos.21+22
23	Z0400009096	FLAP RETARDER
24	Z0400009006	FLAP
25	GUA0011017	MACHINE FOOT D.7,9
26	Z0400009011CW	LIQUID CHUTE RAL7043
27	Z0150001105	DRIP TRAY SPRING
28	Z0400009025	SPACER PLATE
29	VIT0002009	SCREW ST HEAD CAP M3.5X6.5
30	Z0400009012	DRIP TRAY

2 TURRETS DB SUPPORT



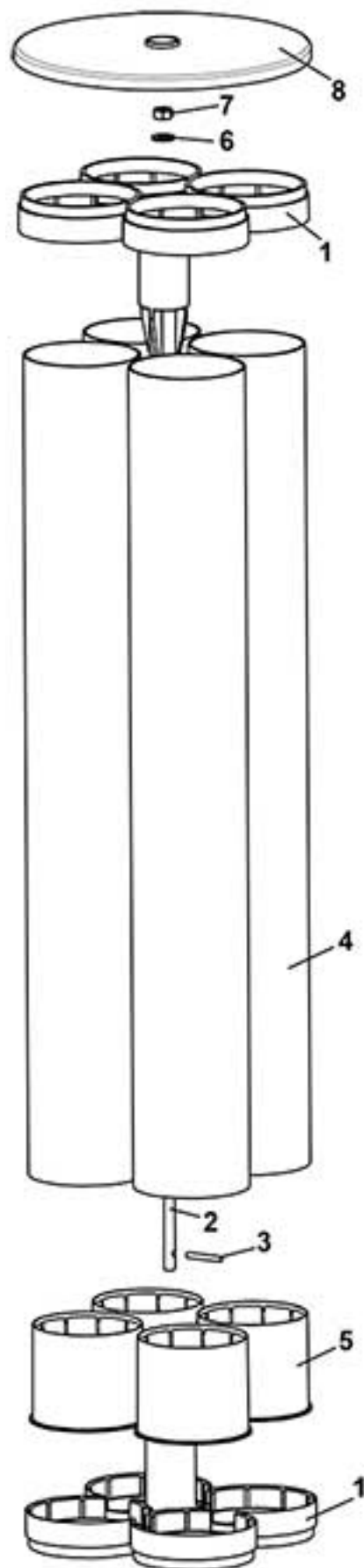
2 TURRETS DB SUPPORT		
Pos.	Code	Description
1	Z0020042069CK	TURRE SUPPORT PLATE RAL7037
2	VIT0000236	SCREW HEX HEAD M6X11
3	Z0020042074	TURRET SUPPORT
4	Z0020042071	TURRET SUPPORT
5	Z0020042078	HINGE PIN
6	VIT0006518	RING 9
7	Z0020042077	TURRET HOOK
8	Z0020031343	PIN
9	VIT0004503	NUT M4
10	Z0450003010	SPRING
11	Z0020042168IC	HANDLE RAL2011
12	VIT0002469	SCREW HEAD TAP M3.5X10
13	Z0020042076	REGULATION LEVER
14	VIT0002401	SCREW ST HEAD CAP M3.5X9.5
15	Z0020042066	TURRET LEFT SUPPORT
16	Z0020042067	TURRET RIGHT SUPPORT
17		See table cups loader

cups loader



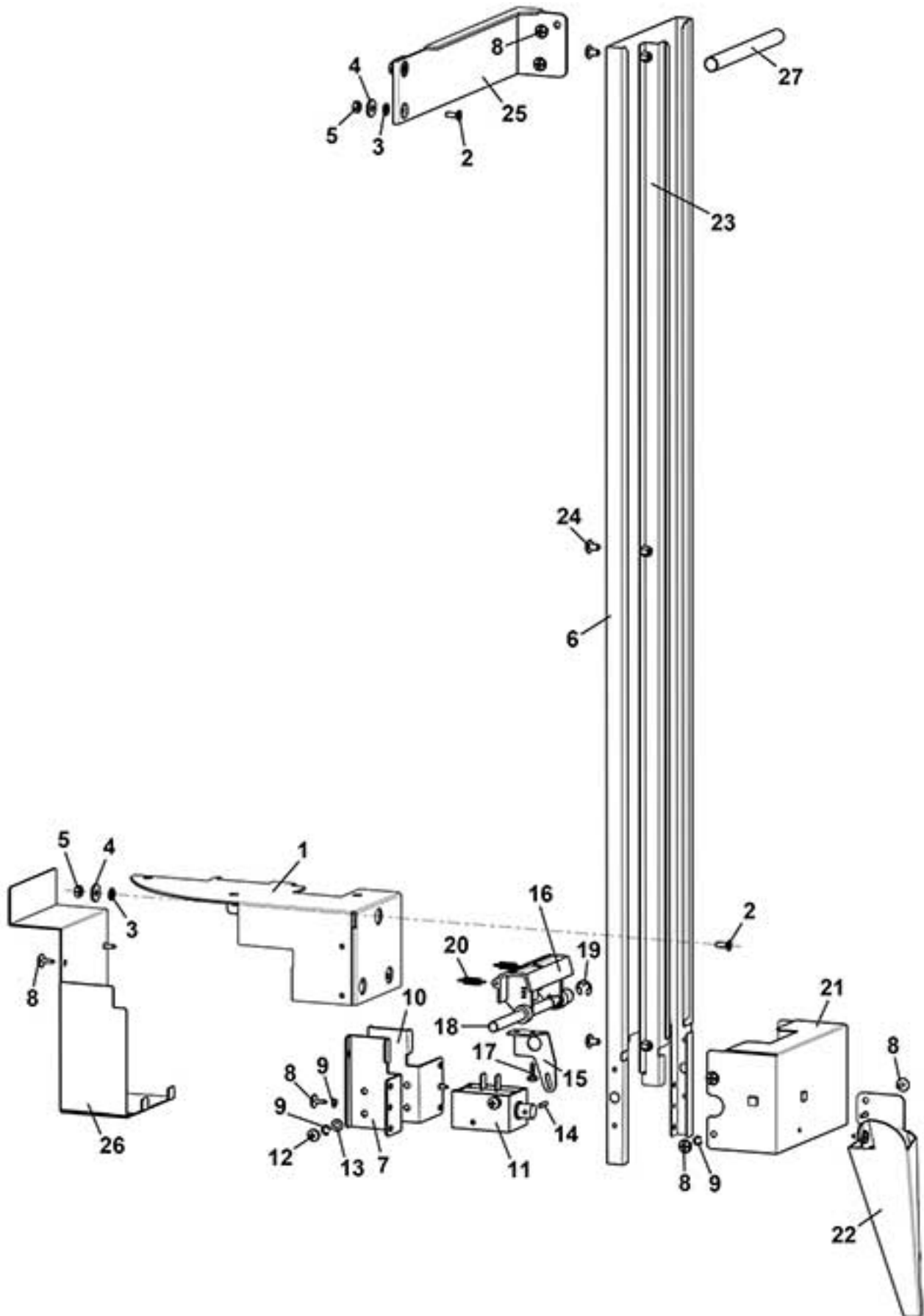
cups loader		
Pos.	Code	Description
1	Z0190006534CY-03	TURRET SUPPORT RAL9018
2/a	Z0190006543-01	MICROSWITCH LEVER WHITE
2/b	Z0190006556KA	MICROSWITCH LEVER RAL3020
3	ELE0001530	MICROSWITCH 3A 125-250VA
4	Z0190006546	CUP DISPENSER MOTOR CONNECTOR
5	VIT0002469	SCREW HEAD TAP M3.5X10
6	VIT0003301	WASHER 4,3X12X1,5
7	VIT0003103	SPRING WASHER 4,3
8	Z0190006503	Z26 WHEEL TURRET (WHITE)
9	Z0190006536	TURRET SHAFT
10	Z0190006553	PIN
11	Z0190006544	Z16 PINION WHITE
12	Z0190006537CY	TURRET CUP CONNEC. 4C. RAL9018
13	VIT0002101	SCREW COUNT FLAT HEAD M3.5X13
14	Z0190006554CYR	§ TURRET STOPPER LEVER+PIN pos.14+15
16	Z0190006538CF	CUPS REDUCER D.70 RAL7016
17	Z0190006521CYR	LOWER/UPPER CUP DROP MECH.
18	Z0190006511NA	CUPS TURRET SPINDLE BLACK
19	Z0190006528	Z26 WHEEL WHITE
20/a	Z0190006523	TOOTHED RING NUT D.70/73
20/b	Z0190006507	TOOTHED RING NUT D.78/80 WHITE
21	Z0190006502	CUP SPLITTER D.73/80 PP WHITE
23	VIT0002456	SCREW HEAD TAP M3.5X25
24	Z0190006514CY	CUPS CHUTE 70/73 RAL9018
25	VIT0002468	SCREW HEAD TAP M3.5X30
26	Z0190006522CY	MOTOR SUPPORT RAL9018
27	Z0090002114R2	§ GEARBOX MOTOR 11RPM 24V DC
28	SCH0007000	SPLIT UP SENSOR
29	VIT0002002	SCREW ST HEAD CAP M3.5X6.5
30	Z0190006518	TOOTHED SHAFT Z18 WHITE
31	Z0090002123R	§ GEARBOX MOTOR 5,5RPM 24V DC
32	ELE0002258R	§ PUSH BUTTON RED
100	Z0190006500CL	§ CUPS DISPENSER 4C. D.70 PL From pos.1 to pos.32 (excluded pos. 2/b and 20/b)
101	Z0190006500CL5	§ CUPS DISPENSER 4C. D.80 PP From pos.1 to pos.32 (excluded pos. 2/a and 20/a)
102	Z0190006534CLR	§ TURRET SUPPORT-4COLUMNS From pos.1 to pos. 15 (excluded pos.2/b)
103	Z0190006534CL1R	§ TURRET SUPPORT-4COLUMNS From pos.1 to pos. 12 (excluded pos.2/a)
104	Z0190006521CLR	§ CUP DROP MECH. D.70 PL From pos. 17 to pos. 24 (excluded pos.20/b)
105	Z0190006521CL5R	§ CUP DROP MECH. D.80-PP From pos. 17 to pos. 23 (excluded pos. 20/a)
106	Z0190006522CLR	§ CUPS DISPENSER MOTOR SUPPORT (From pos. 26 to pos. 32)

cups turret



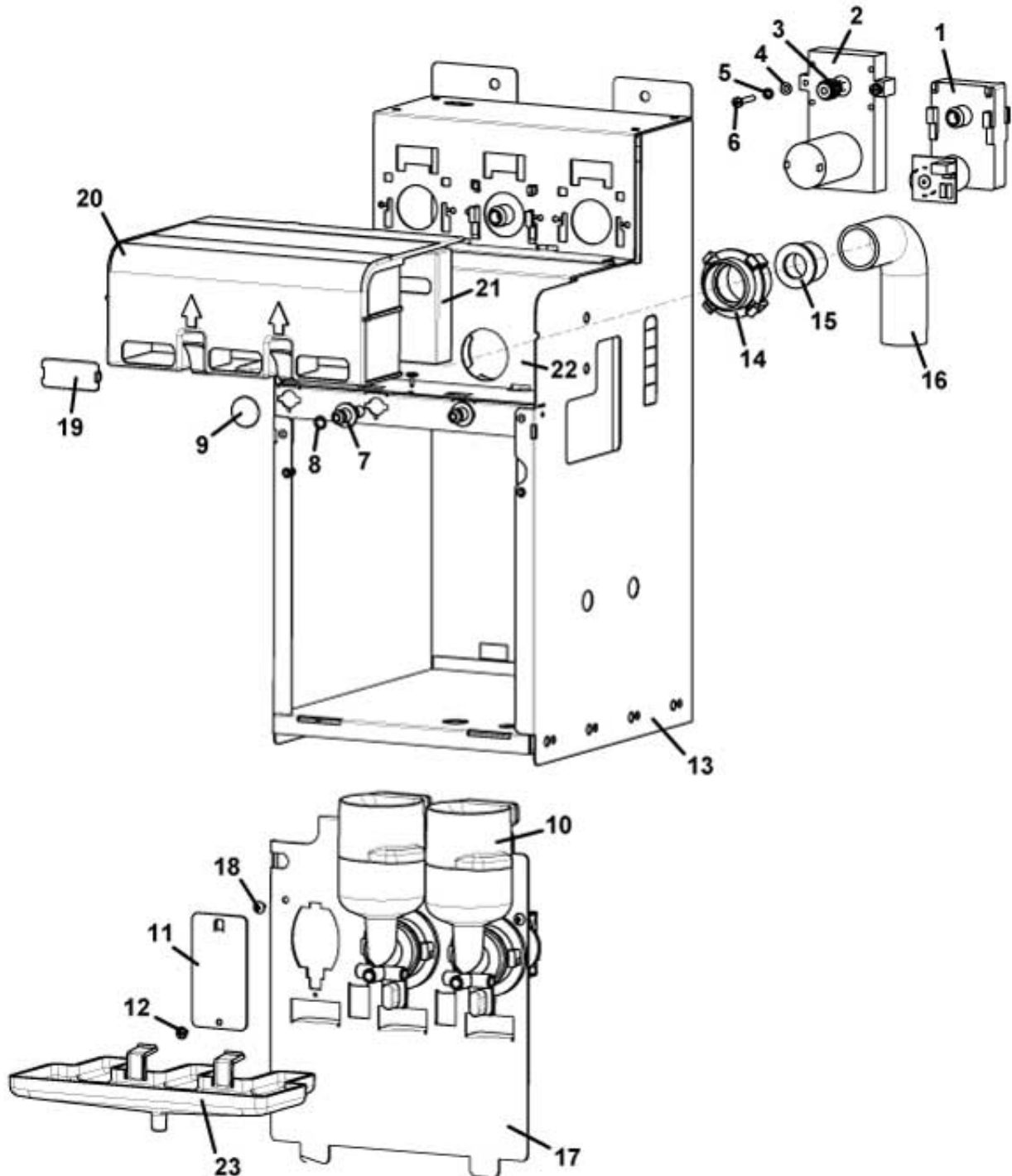
cups turret		
Pos.	Code	Description
1/a	Z0180013105-02CY	CUP TURRET SPINDLE 4C RAL9018
1/b	Z0180013122CY-04	CUP TURRET SPINDLE 4C RAL9018
2	Z0180013108	2 TURRET SHAFT
3	VIT0005210	DOWEL PIN 4X28
4/a	Z0180013106	CUP HOLDER 2T D.84/81MM L600MM
4/b	Z0180013117	CUP HOLDER 2T D.87/84MM L600MM
5	Z0180013113	D.70 COLUMN REDUCTION (WHITE)
6	VIT0003006	WASHER 8,4X17X1,6
7	VIT0004506	NUT M8
8	Z0180013107CY	CUPS TURRET LID 4C. RAL9018
100	Z0180013100R	§ CUPS TURRET 4COLUMNS D.70/73 (From pos. 1 to pos. 8 (excluded pos. 1/b+4/b)
101	Z0180013100R3	§ CUPS TURRET 4COLUMNS D.80 (From pos. 1 to pos. 8 (excluded pos. 1/a+4/a)

stirrer dispenser

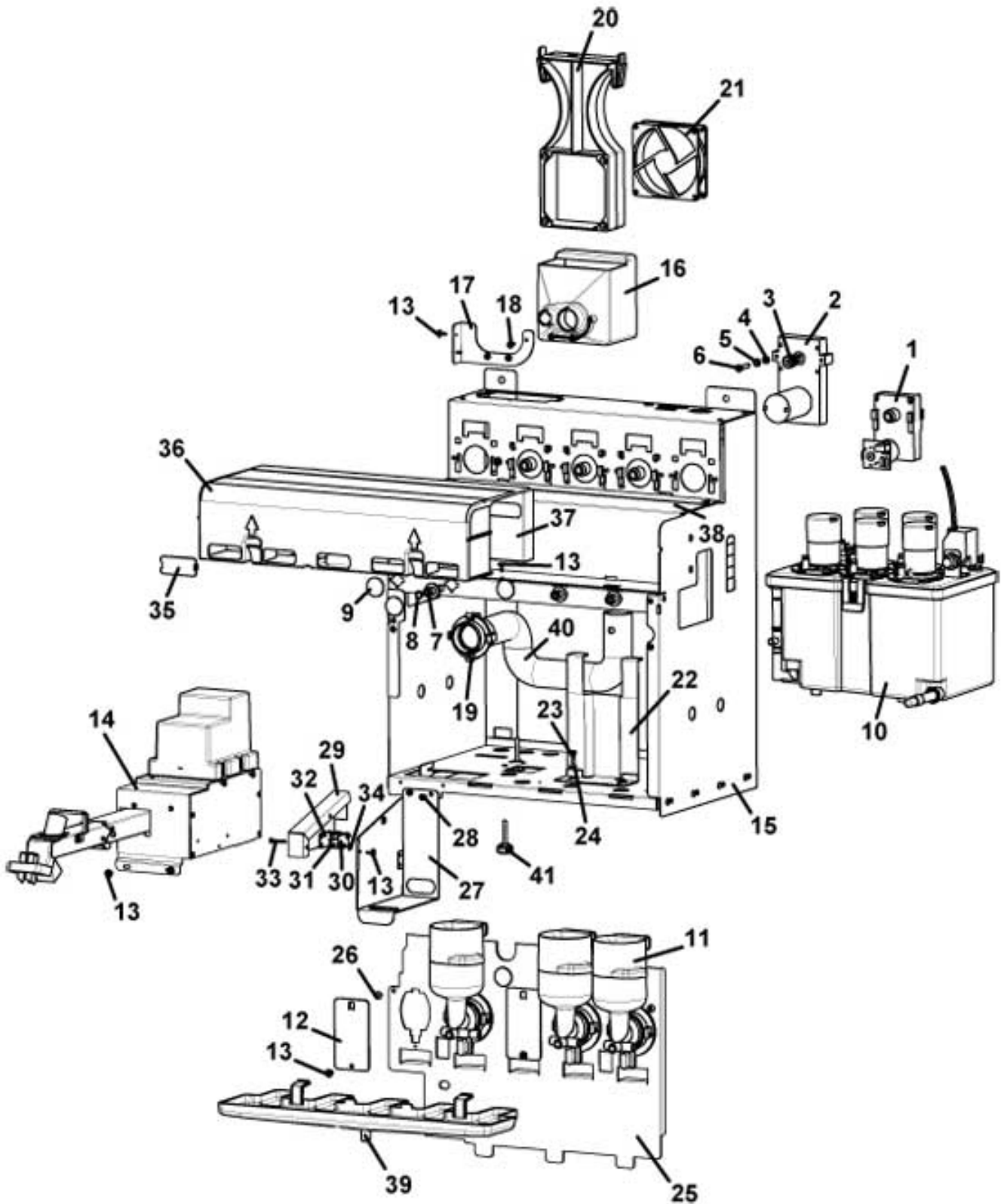


stirrer dispenser		
Pos.	Code	Description
1	Z002A003072	STIRRERS SUPPORT
2	VIT0000107	SCREW COUNT FLAT HEAD M4X10
3	VIT0003103	SPRING WASHER 4,3
4	VIT0003302	WASHER 5,5X15X1,6
5	VIT0004815	NUT M4
6	Z0450011006	STIRRERS CONTAINER 89-104-115
7	Z0450009139	ELECTROMAGNET RIGHT SUPPORT
8	VIT0002401	SCREW ST HEAD CAP M3.5X9.5
9	VIT0003405	SPRING WASHER 4,3
10	Z0450009140	ELECTROMAGNET LEFT SUPPORT
11	ELE0000055	ELECTROMAGNET 5% 24V DC
12	VIT0000021	SCREW HEAD TAP CAP M4X6
13	VIT0003003	WASHER 4,3X8X0,8
14	VIT0005211	DOWEL PIN 2.5X12
15	Z0450009141	ELECTROMAGNET CONNECTING ROD
16	Z0450002003	STIRRER EJECTOR
17	VIT0002469	SCREW HEAD TAP M3.5X10
18	Z0450011066	STIRRER EJECTOR PIN
19	VIT0006504	RING 5
20	Z0450003010	SPRING
21	Z0450011045	STIRRER FUNNEL 89-104-115 2T
22	Z0450011017	STIRRER CHUTE 2T
23	Z0450011019	STIRRERS CONTAINER GUIDE
24	VIT0000030	SCREW HEAD TAP CAP M4X7
25	Z0020042167	STIRRERS REINFORCEMENT
26	Z0020042169	ELECTROMAGNET COVER
27/a	4001012030	STIRRER WEIGHT 89MM
27/b	Z0450003033	STIRRER WEIGHT 104MM
27/c	Z0450011121	STIRRER WEIGHT 115MM

solubles dispenser H/3

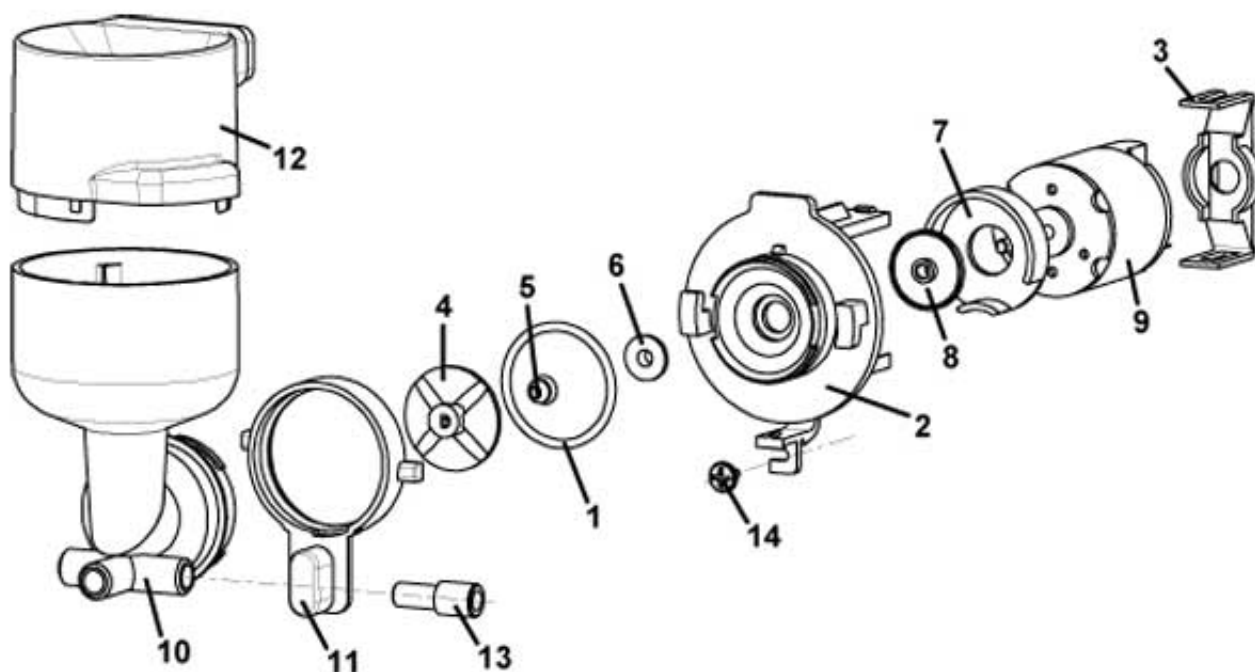


solubles dispenser H/3		
Pos.	Code	Description
1	Z0090002113R	§ GEARBOX MOTOR 24V DC
2	Z0090002081	MOTOR 24 DC 85 RPM
3	Z0230012010	PINION
4	Z0090002079	SPACER
5	VIT0003103	SPRING WASHER 4,3
6	VIT0000015	SCREW HEAD TAP CAP M4X25
7/a	Z0080100043	MIXER CONNECTOR BLACK
7/b	Z0080100043-02KA	MIXER CONNECTOR-SHORT RED
8	GUA0000089	OR 2031 RED SILICONE A70
9	Z0080100035NA	CONNECTOR PLUG BLACK
10		See table mixer
11	Z0010020028NA	MIXER PLUG BLACK
12	VIT0002401	SCREW ST HEAD CAP M3.5X9.5
13	Z0070020051-04	HOUSING H3
14	Z0070020019CY	EXTRATOR TUBE SUPPORT
15	Z0070020073NA	EXTRACTOR REDUCTION BLACK
16	TEOL000001	EXTRACTOR TUBE 20MM
17	Z0070020061	MIXER SUPPORT I3
18	VIT0000012	SCREW HEAD TAP CAP M4X10
19	Z0070014776	TRAP PLUG
20	Z0070020062CY	EXTRACTOR DRAWER RAL9018
21	Z0070020063CY	EXTRACTOR COVER RAL9018
22	Z0070020054	TRAP SUPPORT I3
23	Z0070020072CY	POWDER TRAY RAL9018



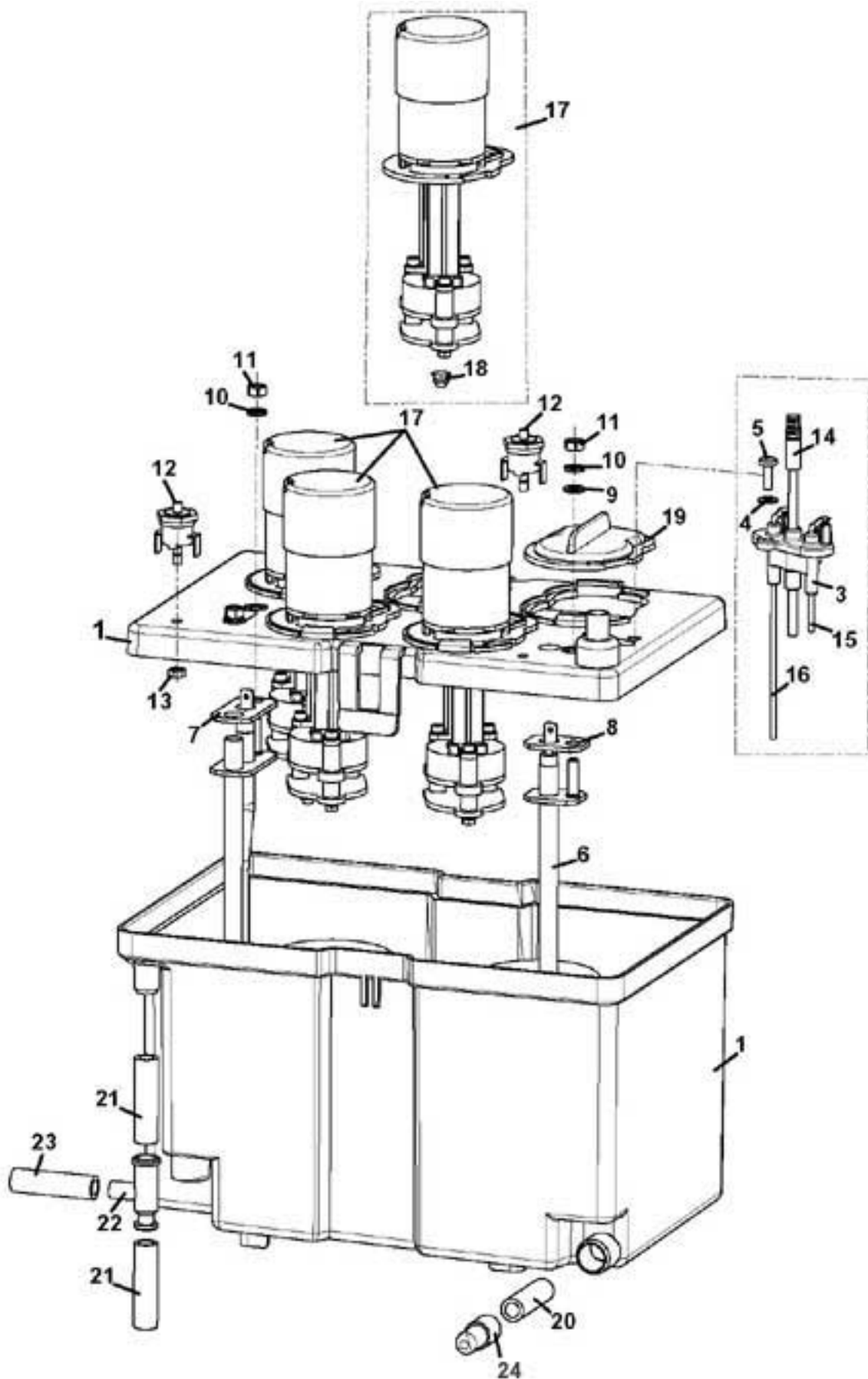
solubles dispenser H/5		
Pos.	Code	Description
1	Z0090002113R	§ GEARBOX MOTOR 24V DC
2/a	Z0090002082	MOTOR 24 DC 55 RPM
2/b	Z0090002081	MOTOR 24 DC 85 RPM
3	Z0230012010	PINION
4	Z0090002079	SPACER
5	VIT0003104	SPRING WASHER 5,3
6	VIT0000015	SCREW HEAD TAP CAP M4X25
7/a	Z0080100043-02PL	MIXER CONNECTOR-SHORT BLUE
7/b	Z0080100043-02MD	MIXER CONNECTOR-SHORT GREEN
7/c	Z0080100043-02IC	MIXER CONNECTOR-SHORT ORANGE
7/d	Z0080100013	MIXER CONNECTOR
8	GUA0000089	OR 2031 RED SILICONE A70
9	Z0080100035NA	CONNECTOR PLUG BLACK
10		See table boiler
11		See table mixer
12	Z0010020028NA	MIXER PLUG BLACK
13	VIT0002401	SCREW ST HEAD CAP M3.5X9.5
14		See table distribution pipes movement
15	Z0070020001-09	HOUSING H5
16	Z0070020017CY	EXTRACTOR FUNNEL RAL9018
17	Z0070020030	FAN PLATE
18	VIT0002469	SCREW HEAD TAP M3.5X10
19	Z0070020019CY	EXTRATOR TUBE SUPPORT
20	Z0070020024IC	FAN SUPPORT RAL2011
21	ELE0000468R	§ FAN 24V DC-HIGH SPEED-D.92
22	Z0070021013	BOILER BRACKET
23	VIT0001005	SCREW HEAD TAP CAP M4X12
24	VIT0003109	SPRING WASHER 4,3
25	Z0070020011	MIXER SUPPORT
26	VIT0000012	SCREW HEAD TAP CAP M4X10
27	Z0070020231	PIPE SUPPORT GUIDE
28	VIT0002009	SCREW ST HEAD CAP M3.5X6.5
29	Z0070020037	SWITCH COVER
30	ELE0001528	MICROSWITCH
31	NL201106265	MICRO LEVER
32	4600010014	SPACER
33	VIT0000006	SCREW HEAD TAP CAP M3X16
34	VIT0004701	NUT M3
35	Z0070014776	TRAP PLUG
36	Z0070020012CY	EXTRACTOR DRAWER RAL9018
37	Z0070020013CY	EXTRACTOR COVER RAL9018
38	Z0070020004	TRAP SUPPORT (BLACK)
39	Z0070020035CY	POWDER TRAY RAL9018
40	TEOL000002	EXTRACTOR TUBE D.30
41	VIT0009164	HANDLE

mixer



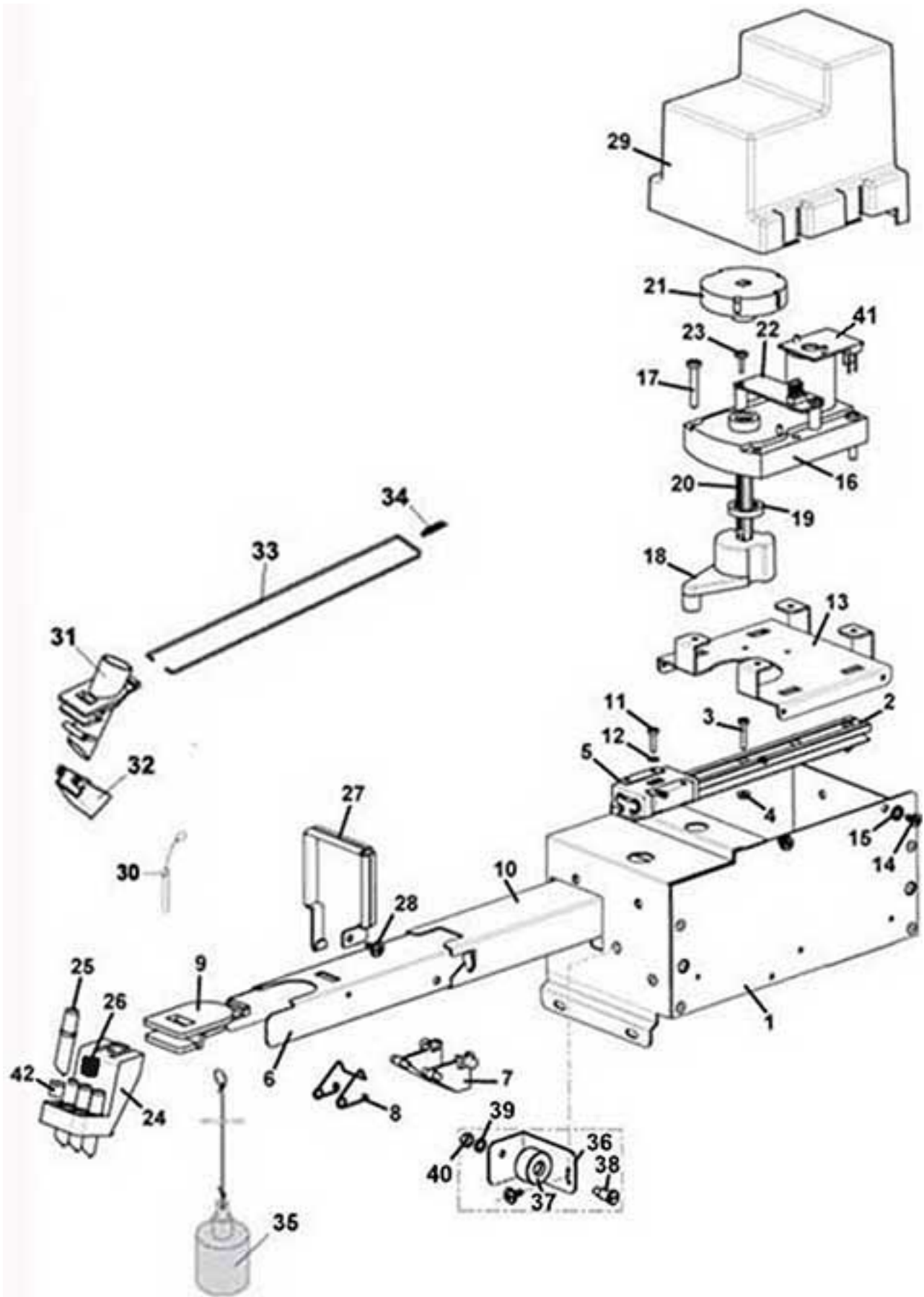
mixer		
Pos.	Code	Description
1	GUA0000084	OR 3131 RED SILICONE A60
2	Z0080100005	MOTOR MIXER BASE
3	Z0080100009IC	MIXER MOTOR SUPPORT RAL2011
4	Z0080100011	MIXER FAN
5	Z0080100102	MIXER SHAFT GASKET
6	Z0080100015	MIXER BUSH
7	Z0080100023IC	MIXER COVER RAL2011
8	Z0080100024	MIXER FAN
9	Z0090003023	MIXER MOTOR 24V DC SHAFT D.4
10/a_1	Z0080200110L	MIXING BOWL L.W/H2O BREAKER
10/a_2	Z0080200111R	MIXING BOWL R.W/H2O BREAKER
10/a_3	Z0080200112C	MIXING BOWL F.W/H2O BREAKER
10/b_1	Z0080200107L	MIXING BOWL L.W/O H2O BREAKER
10/b_2	Z0080200108R	MIXING BOWL R.W/O H2O BREAKER
10/b_3	Z0080200109C	MIXER BODY W/O LINE CENTER
11	Z0080100006IC	LOCK RING RAL2011
12/a	Z0080100031NA	MIXING BOWL EXTRACTOR D.4,25
12/b	Z0080100029CK	MIXING BOWL EXTRACTOR D.2,3
13	Z0080100096	COFFEE OUTLET REDUCTION D.2
14	VIT0002401	SCREW ST HEAD CAP M3.5X9.5
100	Z0080100001R	§ MIXER BOWL BASE+MOTOR (from pos.1 to pos.9)

boiler



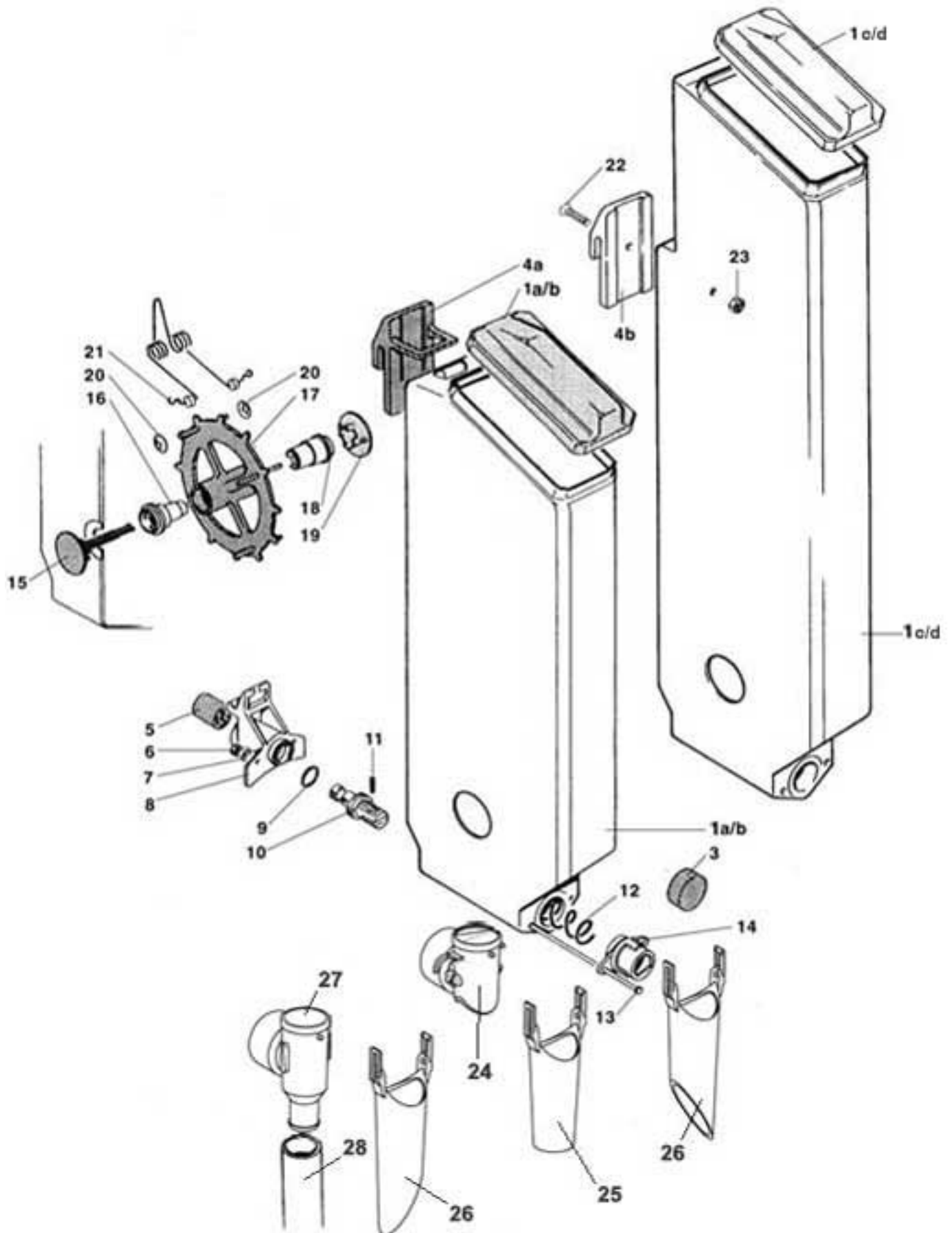
boiler		
Pos.	Code	Description
1	Z0600014111R	§ TANK+BOILER COVER
3	Z0600016089	PROBE SUPPORT
4	VIT0003211	WASHER 4,3X9X0,8
5	VIT0001005	SCREW HEAD TAP CAP M4X12
6	Z0600016138R	§ HEATING ELEMENT 1600W 230V
7	Z0600014113	HEATING ELEM GASKET
8	Z0600014114	HEATING ELEM GASKET
9	VIT0003203	WASHER 5,3X10X1
10	VIT0003111	SPRING WASHER 5,3
11	VIT0004804	NUT M5
12	ELE0000965	CLIXSON 88°
13	VIT0004816	NUT M4
14	ELE0000978R	SOLUBLES PROBE 80MM
15	Z0600016054	MAXIMUM LEVEL PROBE
16	Z0600016053	MINIMUM LEVEL PROBE
17	Z0600016405R	§ BOILER PUMP
18	Z0080100102	MIXER SHAFT GASKET
19	Z0600016422	PUMP LID
20/a	TSIL10/14T-10	SILICON HOSE 10X14 MT.10
20/b	TSIL10/14T-50	SILICON HOSE 10X14 MT.50
21/a	TSIL07/11T-10	SILICON HOSE 7X11 MT.10
21/b	TSIL07/11T-50	SILICON HOSE 7X11 MT.50
22	Z0600016028	T CONNECTOR
23/a	TSIL05/08T-10	SILICON HOSE 5X8 MT.10
23/b	TSIL05/08T-50	SILICON HOSE 5X8 MT.50
24	650001057	DRAINER PLUG
100	Z0600014100R2	§ BOILER 4PUMP
101	Z0600014101R2	§ BOILER 3PUMP 1600W 230V
102	Z0600014102R2	§ BOILER 5PUMP 1600W 230V

distribution pipes movement



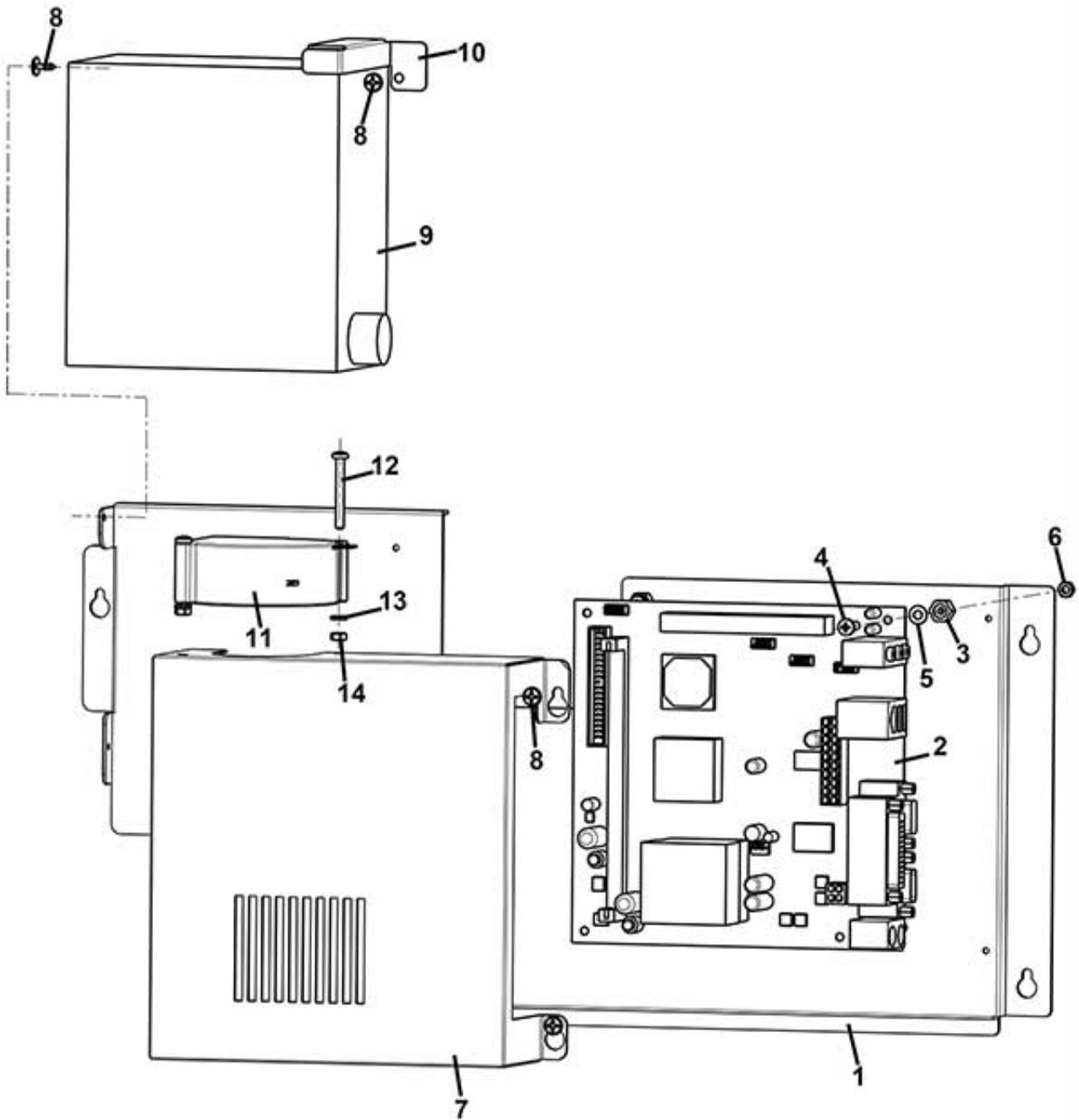
distribution pipes movement		
Pos.	Code	Description
1	Z0380010827-03	PIPE MOVEMENT HOUSING
2	Z0380010796	NOZZLE HOLDER
3	VIT0000006	SCREW HEAD TAP CAP M3X16
4	VIT0004701	NUT M3
5	Z0380010798	NOZZLE MOVEMENT GUIDE
6	Z0380010821	NOZZLE HOLDER
7	Z0380010599	NOZZLE MOVEMENT BUTTON
8	Z0380010629	SPRING
9	Z0380010459NA	NOZZLE SUPPORT PLATE BLACK
10	Z0380010826	NOZZLE MOVEMENT SLIDE
11	VIT0000005	SCREW HEAD TAP CAP M3X12
12	VIT0003102	SPRING WASHER 3,2
13	Z0380010693	GEAR MOTOR SUPPORT
14	VIT0002009	SCREW ST HEAD CAP M3.5X6.5
15	VIT0003103	SPRING WASHER 4,3
16	Z0090002109	GEAR MOTOR 24 RPM 24V DC
17	VIT0000015	SCREW HEAD TAP CAP M4X25
18	Z0380010694	NOZZLE MOVEMENT CAM
19	Z0380010831	BUSH 20x4
20	Z0380009542	SUGAR DISPENSER SHAFT
21	Z0380009541	POSITION DISK NOZZLE MOVEMENT
22	SCH0003700	TUBES SENSOR
23	VIT0002125	SCREW ST HEAD CAP M3.9X9,5
24	Z0380010655NA/L	NOZZLES HOLDER
25	Z0380010657NA	ESPRESSO NOZZLE D. 5,7
26	Z0380010656NA	PLUG BLACK
27	Z0380010882NA	CLAMP FIXING PIPES
28	VIT0002004	SCREW ST HEAD CAP M3.5X13
29	Z0380010695NA	NOZZLE MOVEMENT COVER BLACK
30	Z0380010429CL	§ FIXING PLATE PIN
31	Z0380011229NA	SUGAR CHUTE
32	Z0380010424NA	SUGAR SPLITTER
33	Z0380010823	BRACKET
34	Z0380010431	SPRING
35	Z0070020038CL2	§ WASTE FLOAT
36	Z0380012221	BRACKET
37	Z0380012225NA	BEARING
38	Z0200001012	PIN BEARING
39	VIT0004503	NUT M4
40	VIT0003103	SPRING WASHER 4,3
41	SCH0003740	MOTOR FILTER
101	Z0380010793CL	§ INSTANT NOZZLES MOVEMENT From pos.1 to pos. 23 and from pos.36 to pos. 41
102	Z0380010792CL	§ ESPRESSO NOZZLES MOVEMENT From pos. 1 to pos. 23 excluded pos. 9 and from pos.31 to pos. 41 excluded pos.35

products container



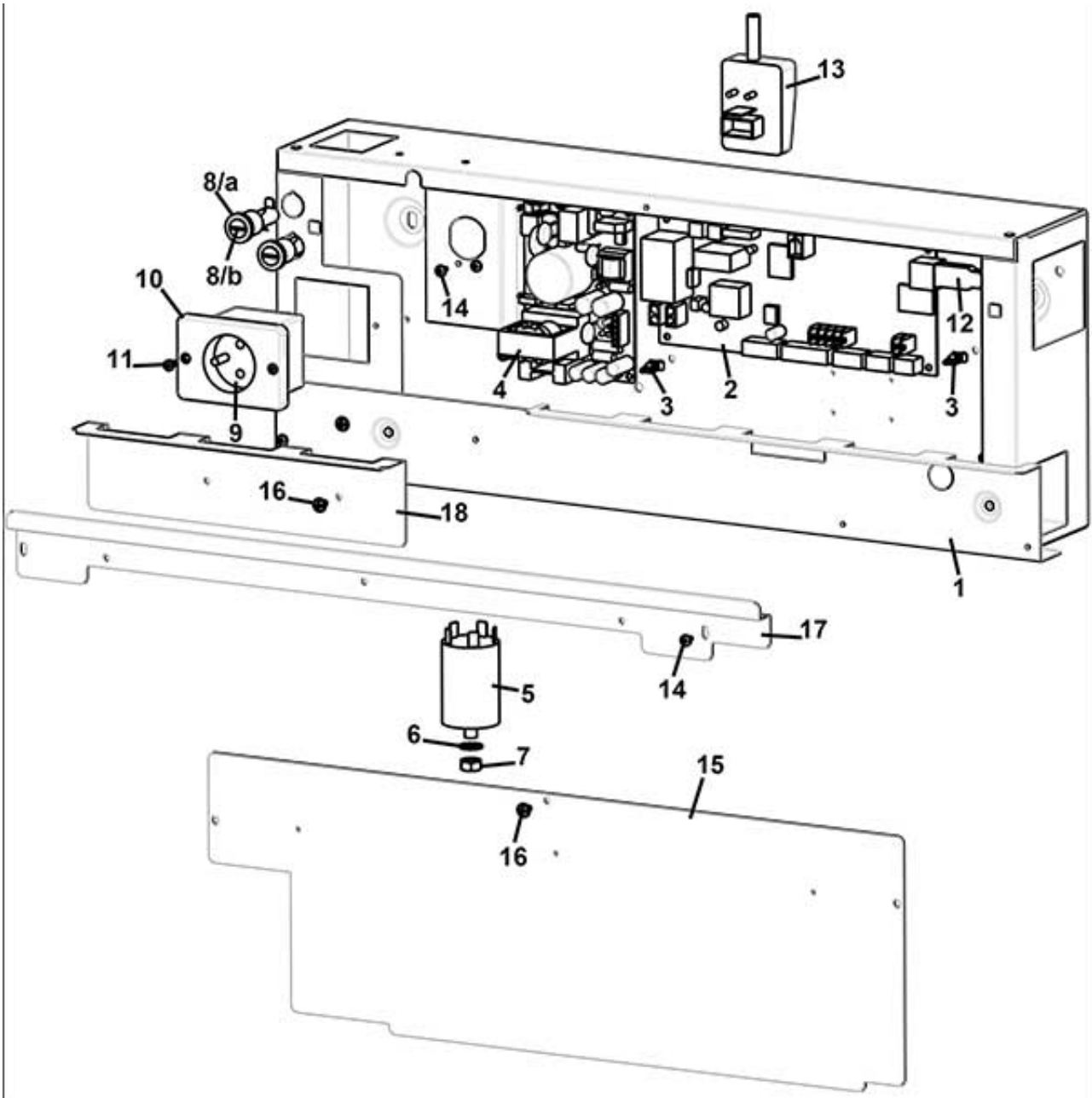
products container		
Pos.	Code	Description
1/a	70003001AR	§ CANISTER "A"+LID
1/b	70003001BR	§ CANISTER "B"+LID
1/c	Z0230008003AR	§ CANISTER W/HOLE H.650+LID
1/d	Z0230008003BR	§ CANISTER W/O HOLE H.650+LID
3	70003061	SUGAR CHUTE PLUG
4/a	70003003	FIX PLATE
4/b	Z0230012018	FIX PLATE
5	Z0230012012	SQUARED PINION
6	VIT0004803	NUT M4
7	VIT0003202	WASHER 4,3X9X0,8
8	70003006	REAR BUSH
9	GUA0000015	OR 119 NBR AL 75 BLACK
10	Z0230012006	SPIRAL WITH FLANGE
11	VIT0005106	PIN 2X14
12/a	70003016	SPIRAL 18
12/b	Z0230024009	SPIRAL 9
13	70003010	BUSH CONNECTOR
14/a	70003008	FRONT BUSH
14/b	70003007	FRONT BUSH
14/c	Z0230012025	FRONT BUSH-REDUCED TRANSITION
15	70003028	PIN
16	70003027	BUSH
17	70003012	WHEEL (PLASTIC)
18	70003026	BUSH
19	70003029	DISK
20	VIT0007102	BENZING CLIP
21	11837	PRODUCT AGITATOR
22	VIT0001205	SCREW COUNT FLAT HEAD M4X12
23	VIT0004810	NUT M4
24	Z0230030302IC	INGRED.CHUTE CONNECTOR RAL2011
25	Z0230030303R3	§ INGREDIENT CHUTE-FRONTAL
26/a	Z0230030304R3	§ INGREDIENT CHUTE-LEFT ORANGE
26/b	Z0230030305R3	§ INGRED. CHUTE-RIGHT ORANGE
27	Z0230016024	SUGAR CHUTE
28/a	TSIL15/19T-10	SILICON HOSE 15X19 MT.10
100	Z0230016005R	§ CANISTER SPIRAL 18
101	Z0230017007R	§ CANISTER WHEEL 9
102	Z0230017008R	§ CANISTER WHEEL 18
103	Z0230018009R	§ CANISTER AGITATOR 18
104	Z0230019005R	§ CANISTER AGITATOR 9-THE
105	Z0230019006R	§ CANISTER AGITATOR 18-THE
106	Z0230012012R	§ SQUARED PINION

MOTHERBOARD SUPPORT



MOTHERBOARD SUPPORT		
Pos.	Code	Description
1	Z0010030063	MOTHERBOARD SUPPORT
2	SCH0007783CL-02	MOTHERBOARD Include SDD 64GB
3	Z0020018125	SPACER
4	VIT0000014	SCREW HEAD TAP CAP M4X16
5	VIT0003502	WASHER 4,3X8X0,5
6	VIT0004503	NUT M4
7	Z0010030064-03	MOTHERBOARD COVER
8	VIT0002401	SCREW ST HEAD CAP M3.5X9.5
9	ELE0030806	POWER SUPPLY 300W
10	Z0010030115	POWER SUPPLY SUPPORT
11	ELE0000465R	§ TRAP 24V DC
12	VIT0000022	SCREW HEAD TAP CAP M4X35
13	VIT0003103	SPRING WASHER 4,3
14	VIT0004503	NUT M4

control panel



control panel		
Pos.	Code	Description
1	Z0130012105-11	ELECTRICAL PANEL
2	SCH0007700-01	POWER BOARD
3	ELE0062003	BOARD SUPPORT
4	SCHA161001	SWITCHING BOARD
5	ELE0009055	NOISE FILTER 16A
6	VIT0003106	WASHER D.8,2
7	VIT0004506	NUT M8
8/a	ELE0003507	FUSE HOLDER 250V 16A
8/b	ELE0003024	CERAMIC FUSE 6,3X32 12A
9	ELE0002319	MAINS SOCKET SCHUKO
10	ELE0002307	ELECTRIC SOCKET 2 POSITION
11	VIT0002004	SCREW ST HEAD CAP M3.5X13
12	ELT0030874	USB WIRING 1,5MT
13	ELE0055003CL	SUPPLY CABLE
14	VIT0002009	SCREW ST HEAD CAP M3.5X6.5
15	Z0130012158	CONTROL PANEL COVER
16	VIT0002401	SCREW ST HEAD CAP M3.5X9.5
17	Z0130012165	INGREDIENT CANISTER SUPPORT
18	Z0130012166	INGREDIENT CANISTER SUPPORT I3