

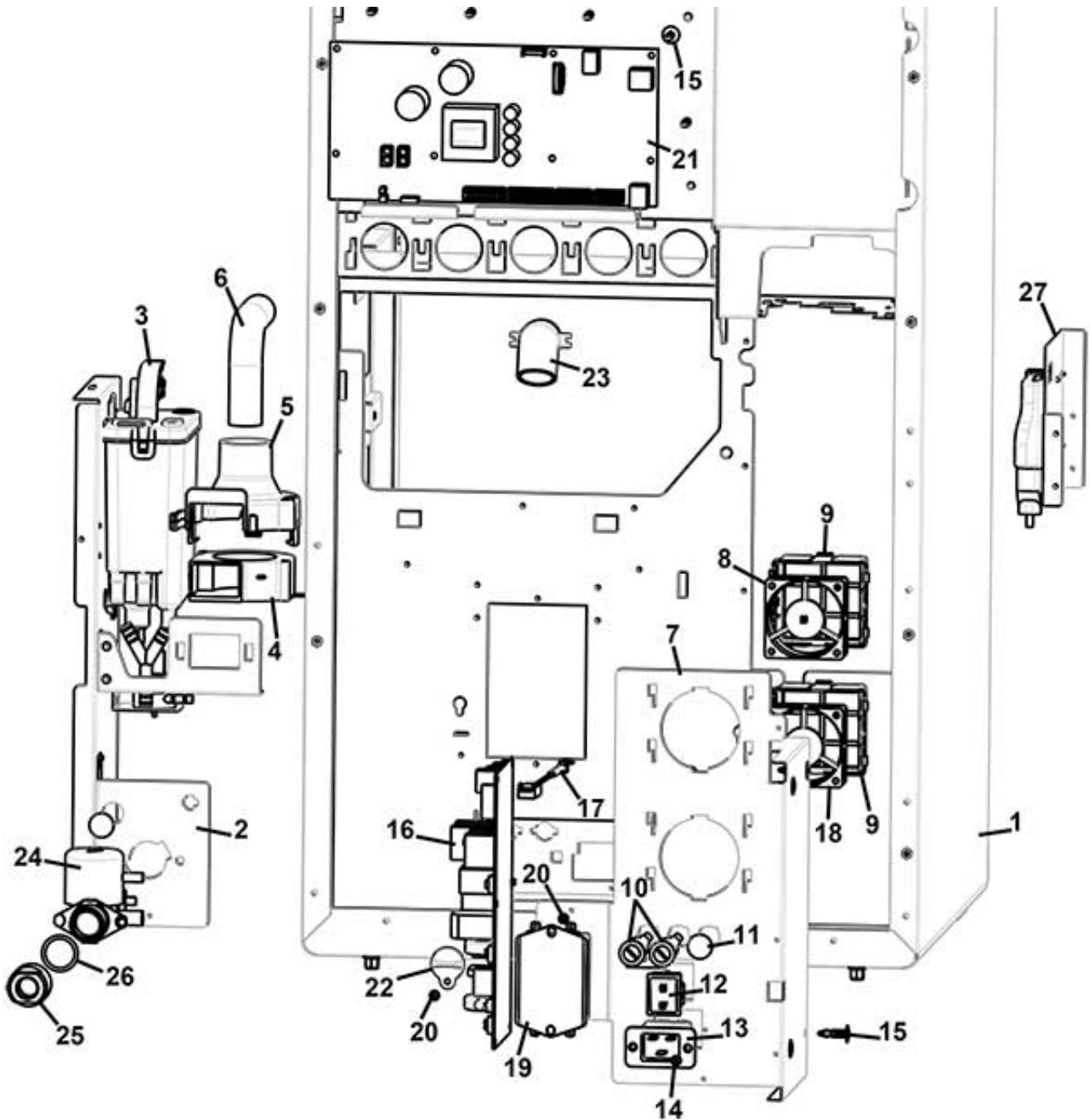
vending machine



spare parts manual

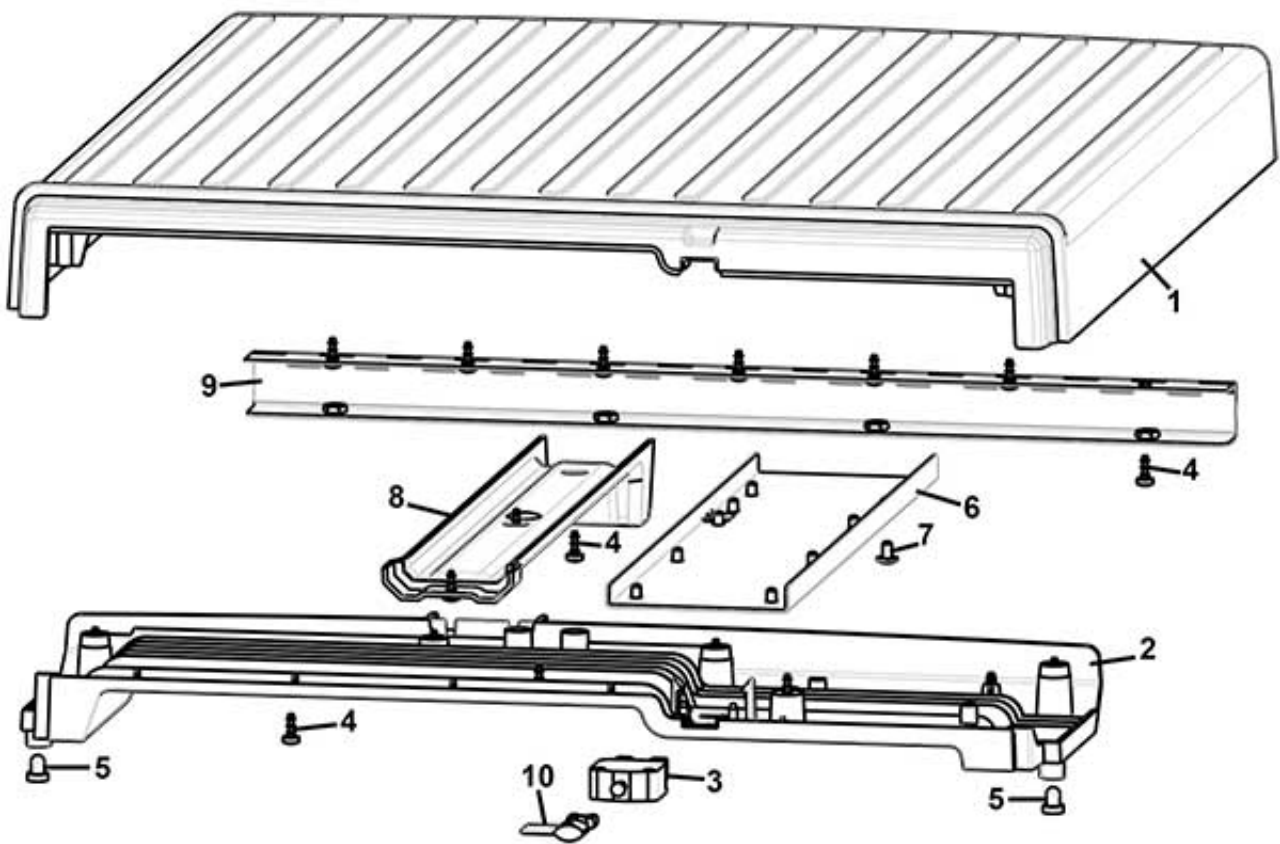
cabinet		
Pos.	Code	Description
1	Z0010026355NA	CABINET (BLACK)
2	Z0010024111CL1	§ MACHINE FOOT D.50X29 RAL9005
3	Z0090002113	MOTOR 24 DC 97 RPM
4	Z0010020029NA	GEARBOX MOTOR PLUG BLACK
5	Z0010026018NA	BULKHEAD
6	VIT0002009	SCREW ST HEAD CAP M3.5X6.5
7	Z0010026165NA	WIRING COVER
8	Z0030010166NA	COIN BOX LID
9	SER0000020	LOCK MM20 C.3425
10	SER0001005	LOCK PLATE
11	Z0030010160NA	COIN BOX
12	Z0010026022NA	COIN SUPPORT
13	VIT0010201	RAIL
14	VIT0000133	M4*5 TSP A2 SCREW
15	VIT0000003	SCREW HEAD TAP CAP M3X8
16	4060010126	PAYM SYSTEM FIXING SCREW
17	Z0010026171TR	PAYM SYSTEM COVER TRANSPARENT
18	Z0010026025NA	COIN RETURN CHUTE BLACK
19	Z0010026167	MAGNET SUPPORT
20	ELT0030760	MAGNET D 10X3
21	VIT0000121	SCREW COUNT FLAT HEAD M3X8
22	VIT0000004	SCREW HEAD TAP CAP M3X10
23	Z0010026032NA	GAS SPRING LOWER BRACKET
24	VIT0000013	SCREW HEAD TAP CAP M4X12
25	Z0010026033	GAS SPRING PIN
26	VIT0003004	WASHER 5,3X10X1
27	VIT0004804	NUT M5
28	VIT0006504	RING 5
29	VIT0010206	GAS SPRING 408692
30	Z0010026121NA	COFFEE GROUNDS CONTAINER
31	Z0020043058NA	DRIP TRAY GRID
32	Z0020043019	RING GRID INOX
33	Z0020043056CL	§ DRIP TRAY+SENSOR
34	Z0010026061-04NA	REAR DOOR

rear cabinet



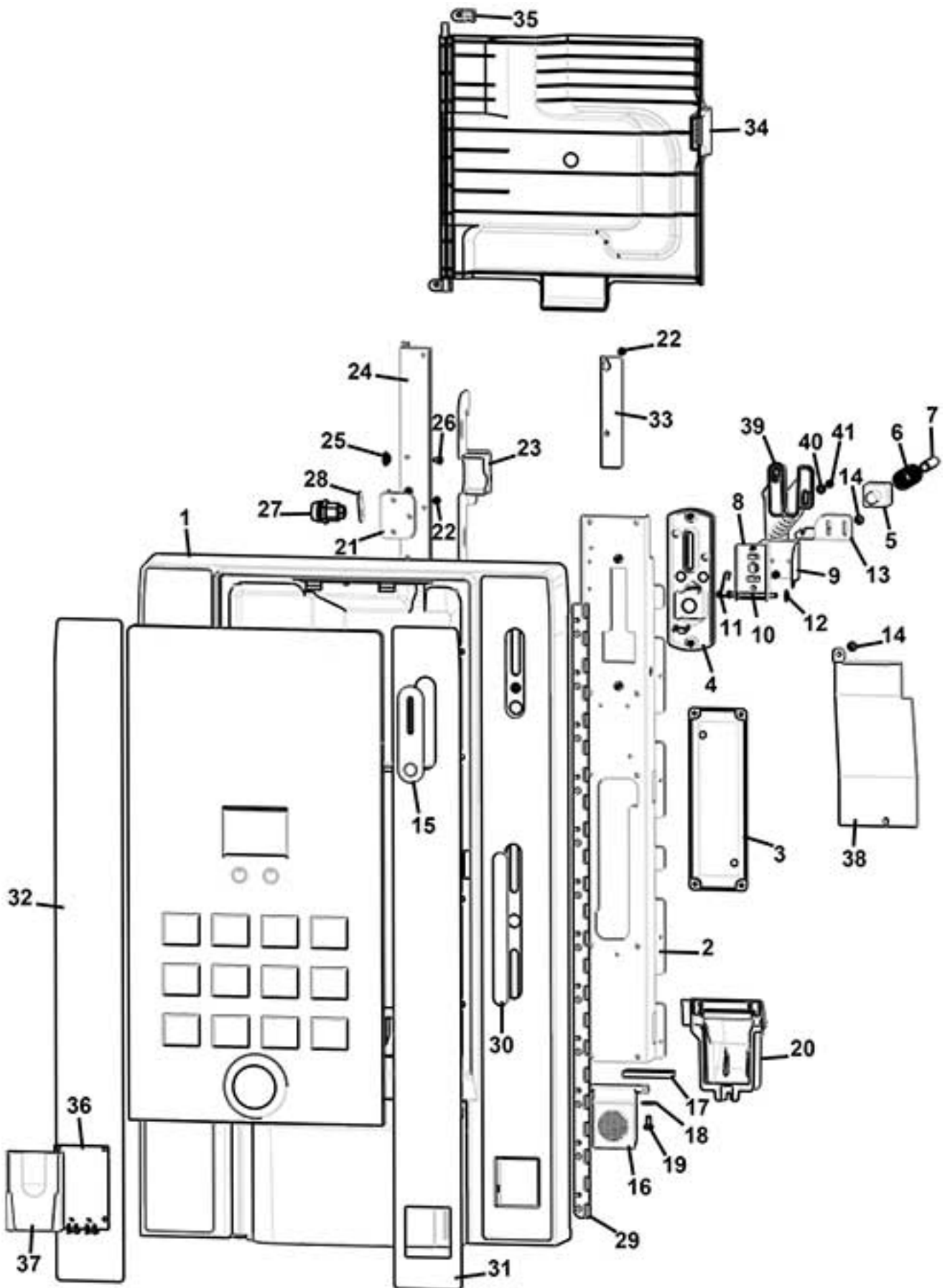
rear cabinet		
Pos.	Code	Description
1	Z0010026355NA	CABINET (BLACK)
2	Z0010026046NA	AIR BREAK SUPPORTO BLACK
3		See table water inlet panel
4	ELE0000465R	§ TRAP 24V DC
5	Z0010024129NA	TRAP SUPPORT
6	TEOL000002CL2	EXTRACTOR TUBE D.30 220MM
7	Z0130013088NA	ELECTRICAL PANEL
8	ELE0000462	FAN 24V DC-LOW SPEED
9	Z0010027064	FAN SUPPORT
10	ELE0003509CL1	FUSE HOLDER+FUSE 16A
11	GUA0011010	PLUG
12	ELE0002020	BIPOLAR SWITCH 20A 250V
13	ELE0002350	MAINS SOCKET 16A
14	VIT0002010	SCREW ST HEAD CAP M3.5X9.5
15	ELE0062020	BOARD SUPPORT
16	SCH0009864	VARITHERM BOARD_3
17	ELE0000989CL	PROBE
18	ELE0000461	FAN 24V DC-HIGH SPEED
19	ELE0009066	NOISE FILTER 16A
20	VIT0002009	SCREW ST HEAD CAP M3.5X6.5
21	SCH0008967-02	CPU/POWER BOARD 3V_1
22	Z0600016455	H2O OUTLET PLUG
23	Z0010027043NA	EXTRACTOR TUBE BLACK
24	Z0110001086	WATER INLET VALVE 24V DC
25	Z0100006001-01	F/F CYLINDRIC 3/4-3/8 REDUCT.
26	GUA0000021	OR 130 NBR AL 75 BLACK
27	Z0010026360NA	MODEM SUPPORT

UPPER COVER



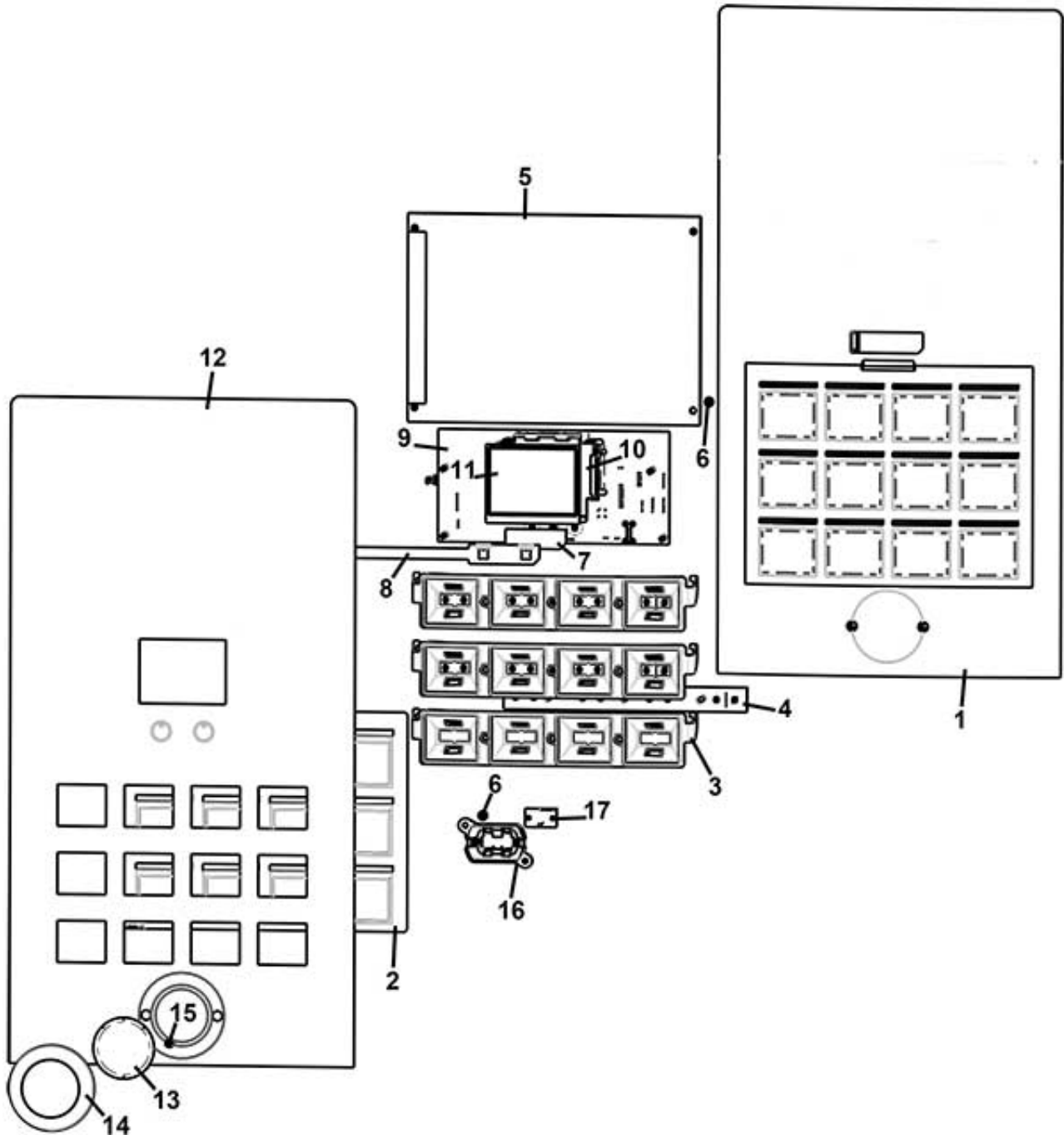
UPPER COVER		
Pos.	Code	Description
1	Z0010026051CMR	UPPER LID 9006 + INSERT
2	Z0010026058-03CG	UPPER COVER CLOSING RAL 7035
3	ELE0002019	SWITCH 16A 250V
4	VIT0002469	SCREW HEAD TAP M3.5X10
5	Z0020018061	SELECTION BUTTON PLUG
6	Z0010026054CG	GAS SPRING SUPPORT RAL7035
7	VIT0000030	SCREW HEAD TAP CAP M4X7
8	Z0010026057CG	WIRING SUPPORT RAL 7035
9	Z0010026037NA	UPPER LID HINGE BLACK
10	Z0270011109	SERVICE KEY

DOOR



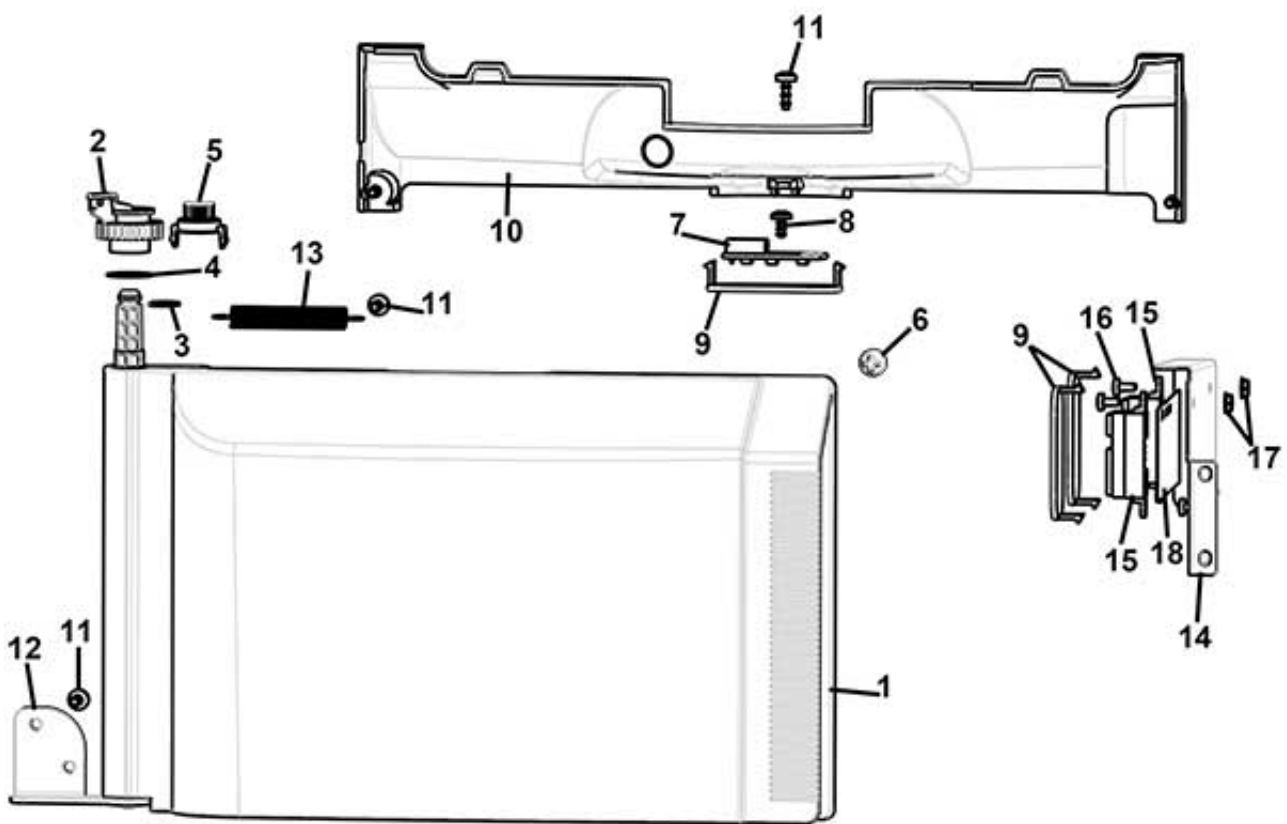
DOOR		
Pos.	Code	Description
1	Z0020043006-06CM	DOOR (RAL9006)
2	Z0020043035NA	HINGE REINFORCEMENT BLACK
3	Z0020043109NA	INSERT COIN COVER
4	Z0020043061NA	COIN INLET SUPPORT BLACK
5	Z0020043063CM	COIN RETURN BUTTON (RAL9006)
6	4050010074	COIN RETURN BUTTON SPRING
7	Z0020034023	COIN RETURN PIN
8	Z0020043064	COIN RETURN BUTTON BRACKET
9	Z0020043065	COIN RETURN LEVER
10	Z0020034187	PIN
11	Z0020043068	COIN RETURN SPRING
12	VIT0007102	BENZING CLIP
13	Z0020043066	COIN RETURN LEVER ADJUSTABLE
14	VIT0002401	SCREW ST HEAD CAP M3.5X9.5
15	Z0020043067CM	COIN MECH. PLATE (RAL9006)
16	Z0020043072NA	COINS FLAP
17	Z0020042030	COIN RETURN FLAP COUNTERWEIGHT
18	VIT0003302	WASHER 5,5X15X1,6
19	VIT0000208	SCREW HEX HEAD M5X10
20	Z0020043070NA	COIN RETURN CONTAINER (BLACK)
21	Z0020043032	LOCK SUPPORT
22	VIT0002469	SCREW HEAD TAP M3.5X10
23	Z0020043033NA	DOOR BLOCK SHAFT SUPP. BLACK
24	SER0001019	DOOR BLOCK SHAFT
25	Z0020024618	COIN BOX FLOWING NUT
26	VIT0000021	SCREW HEAD TAP CAP M4X6
27/a	SER0000001/1	INOX LOCK C6802
27/b	SER0000023	LOCK RIELDA
28	SER0001010	LOCK BRACKET
29	Z0010026120-02	DOOR HINGE
30	Z0020039416	COIN ENTRY BLANK PLATE
31/a	1030000102	RIGHT LATERAL PANEL (BROWN)
31/b	1030000136	RIGHT LAT. GRAPHIC PANEL BLACK
31/c	1030000134	RIGHT LAT.GRAPHIC PANEL SILVER
32/a	1030000103	LEFT LATERAL PANEL (BROWN)
32/b	1030000135	LEFT LAT. GRAPHIC PANEL BLACK
32/c	1030000133	LEFT LAT. GRAPHIC PANEL SILVER
33	Z0020043078NA	WIRING DOOR PLATE (BLACK)
34/a	Z0020043036IC	BOARD COVER RAL2011 Up to serial 20164699999
34/b	Z0020043036IC	BOARD COVER RAL2011 from serial 20164700000
35	Z0020043037NA	BOARD FIXING BRACKET
36	SCH0006261	RFID CARD READER_1
37	Z0020043077NA	RFID CARD HOLDER CD
38	Z0020043111NA	RFID COVER BLACK
39	Z0020043062NA	COIN CHUTE (BLACK)
40	VIT0003301	WASHER 4,3X12X1,5
41	VIT0002466	SCREW HEAD TAP M3.5X16

LIGHTING GLASS



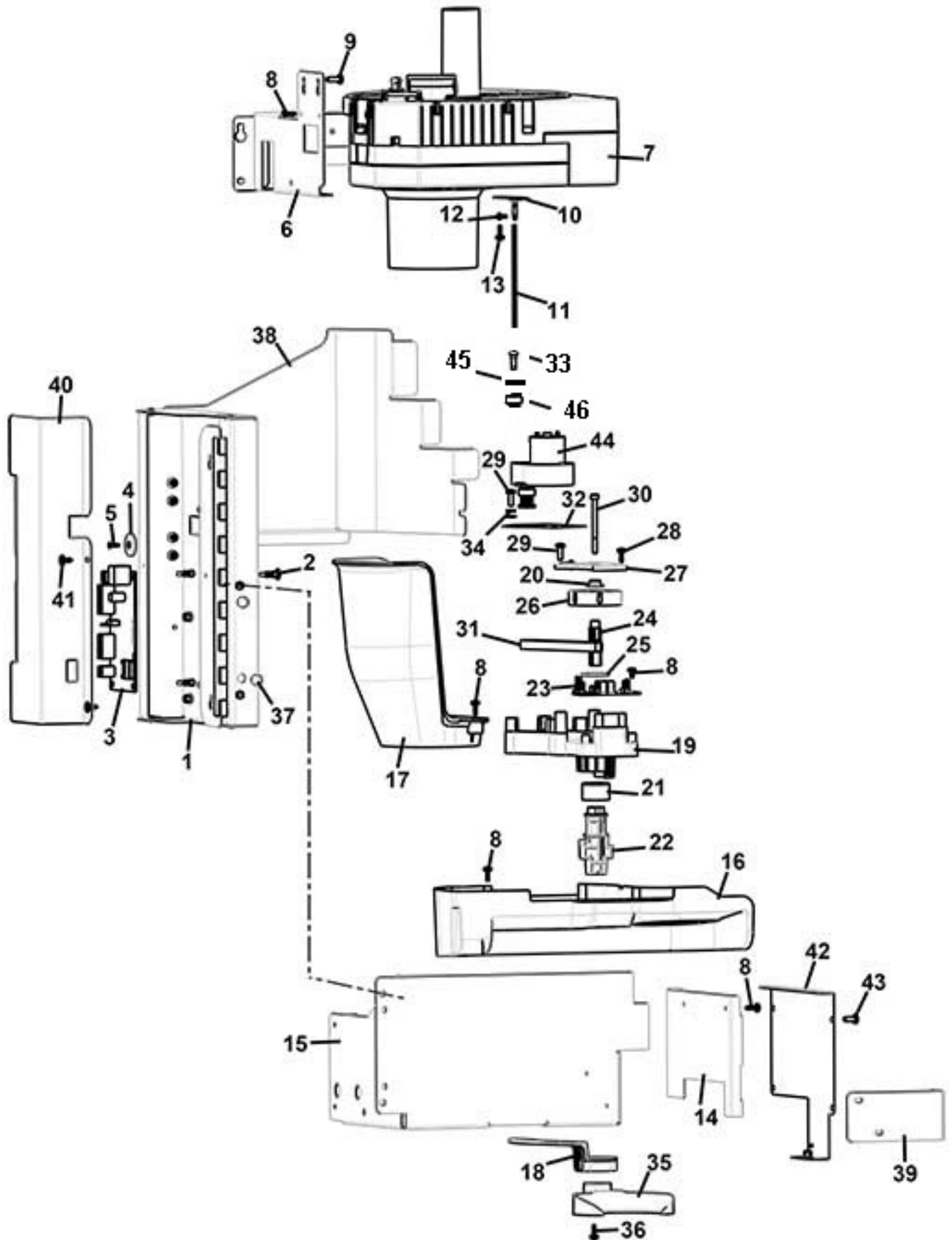
LIGHTING GLASS		
Pos.	Code	Description
1	Z0020043011	FRONTAL PLEXIGLASS
2	ELE0000475	CAPACITIVE KEYPAD-12 BUTTONS
3	Z0020043083CY	LABEL LIGHT GUIDE
4	SCH0009540	STICKERS LIGHTING BOARD
5	Z0020043079	PLEXIGLASS LIGHTING
6	VIT0002469	SCREW HEAD TAP M3.5X10
7	Z0020043029	SUGAR BUTTON SPACE STICKER
8	ELE0000474	KEYPAD- 2 BUTTONS
9	SCH0009982CL1	§ LCD BOARD 3,5" CD
10/a	Z0020043112	DISPLAY BOARD SUPPORT RIGHT
10/b	Z0020043113	DISPLAY BOARD SUPPORT LEFT
11	SCH0009983-01	3,5" DISPLAY BOARD
12/a	1030000204	GRAPHIC PANEL
12/b	1030000205	GRAPHIC PANEL W/O ICON
13	1030000188	ADHESIVE LOGO
14	Z0020039084CL	§ DOOR LOGO FRAME CROMO
15	VIT0002466	SCREW HEAD TAP M3.5X16
16	Z0020043046NA	LOGO LIGHTING BOARD SUPPORT
17	SCH0009580	LOGO LIGHTING BOARD

CUPS STATION FLAP



CUPS STATION FLAP		
Pos.	Code	Description
1	Z0020043040TR	CUP STATION FLAP
2	Z0020043042	FLAP GEAR
3	VIT0006505	RING 6
4	VIT0003312	WASHER 10x16x0,5
5	Z0020043049	FLAP RETARDER
6	Z0020040235	FLAP PLUG
7	SCH0009520	CUPS STATION LIGHTING BOARD
8	VIT0002009	SCREW ST HEAD CAP M3.5X6.5
9	Z0020042251PM	PLEXIGLASS SENSOR
10	Z0020043031NA	DOOR LOWER COVER BLACK
11	VIT0002469	SCREW HEAD TAP M3.5X10
12	Z0020043041NA	FLAP SUPPORT
13	Z0020043048	FLAP CLOSING SPRING
14	Z0020043044NA	SENSOR SUPPORT
15	ELT0006813	DISTANCE SENSOR
16	VIT0000002	SCREW HEAD TAP CAP M3X6
17	VIT0004701	NUT M3
18	Z0020043047	SENSOR ADHESIVE

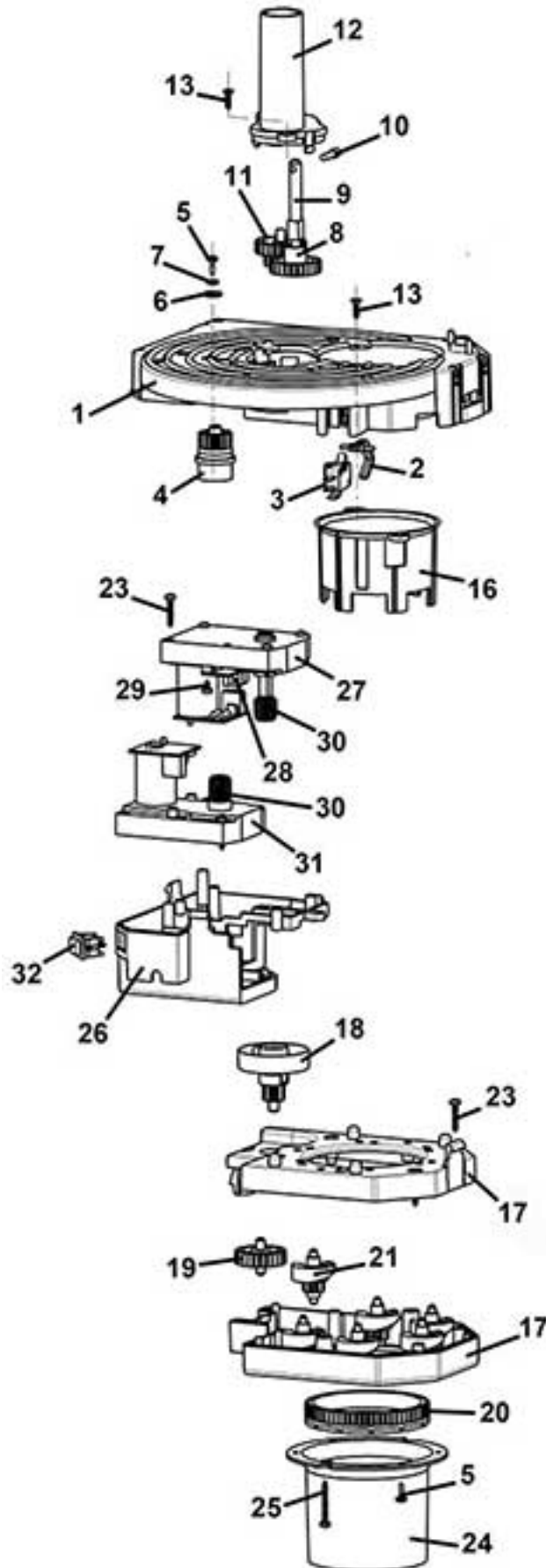
TURRET DB SUPPORT



TURRET DB SUPPORT		
Pos.	Code	Description
1	Z0190014005-09NA	SUPPORT DB BLACK
2	ELE0062020	BOARD SUPPORT
3	SCH0009601	KEYPAD BOARD
4	H00017067	MAGNET 20X3,2 SP3
5	VIT0002113	SCREW COUNT FLAT HEAD M2.9X9,5
6	Z0190014011NA	UPPER DB SUPPORT BLACK
7		See table cups loader
8	VIT0002469	SCREW HEAD TAP M3.5X10
9	VIT0000014	SCREW HEAD TAP CAP M4X16
10	Z0190014039	D.80 CUP SLOW MOTION SUPPORT
11	Z0190014042	CUP SLOW MOTION
12	VIT0000002	SCREW HEAD TAP CAP M3X6
13	VIT0002009	SCREW ST HEAD CAP M3.5X6.5
14/a	Z0190014036NA	STIRRER DISP. SUP. D.80 BLACK
14/b	Z0190014018NA	STIRRER SUPPORT 70/73
15/a	Z0190014034NA	LOWER DB SUPPORT D.80 (BLACK)
15/b	Z0190014016NA	LOWER SUPPORTO DB 70-73
16	Z0020043050NA	CUP STATION (BLACK)
17	Z0190014017NA	CUP CHUTE (BLACK)
18	Z0190014029NA	CUP STOP (BLACK)
19	Z0190014051NAR	§ FORK SUPPORT (BLACK)+INSERT
20	VIT0009330	BEARING D.8
21	VIT0009327	BEARING
22	Z0190014026NAR	§ FORK SHAFT (BLACK)+INSERT
23	SCH0006940	TUBES SENSOR
24	Z0190014052	FORK PULLEY
25	Z0190014023	FORK SHAFT SPACER
26	Z0190014054NA	OPTIC READER DISC (BLACK)
27	Z0190014053	FORK SHAFT PLATE
28	VIT0002469	SCREW HEAD TAP M3.5X10
29	VIT0000013	SCREW HEAD TAP CAP M4X12
30	VIT0005544	SCREW ALLEN M4X50
31	Z0190014025	TOOTHED BELT
32	Z0190014055-02	FORK MOTOR REINFORCEMENT
33	VIT0001010	M 3x12 TCB SCREW
34	VIT0003107	SPRING WASHER 4,3
35/a	Z0190014032NA	CUPS FORK D.80
35/b	Z0190014030NA	CUPS FORK D.70
35/c	Z0190014031NA	FORK D.73 (BLACK)
36	VIT0000030	SCREW HEAD TAP CAP M4X7
37	Z0020040235	FLAP PLUG
38/a	Z0190014033NA	DB UPPER COVER D.80 (BLACK)
38/b	Z0190014014NA	LID SUPPORT DB 70/73
39	Z0190014013NA	STIRRERS CHUTE REINFORC. BLACK
40	Z0190014040NA	DB BOARD COVER
41	VIT0002401	SCREW ST HEAD CAP M3.5X9.5
42/a	Z0190014048NA	DB SUPPORT COVER D.80 (BLACK)

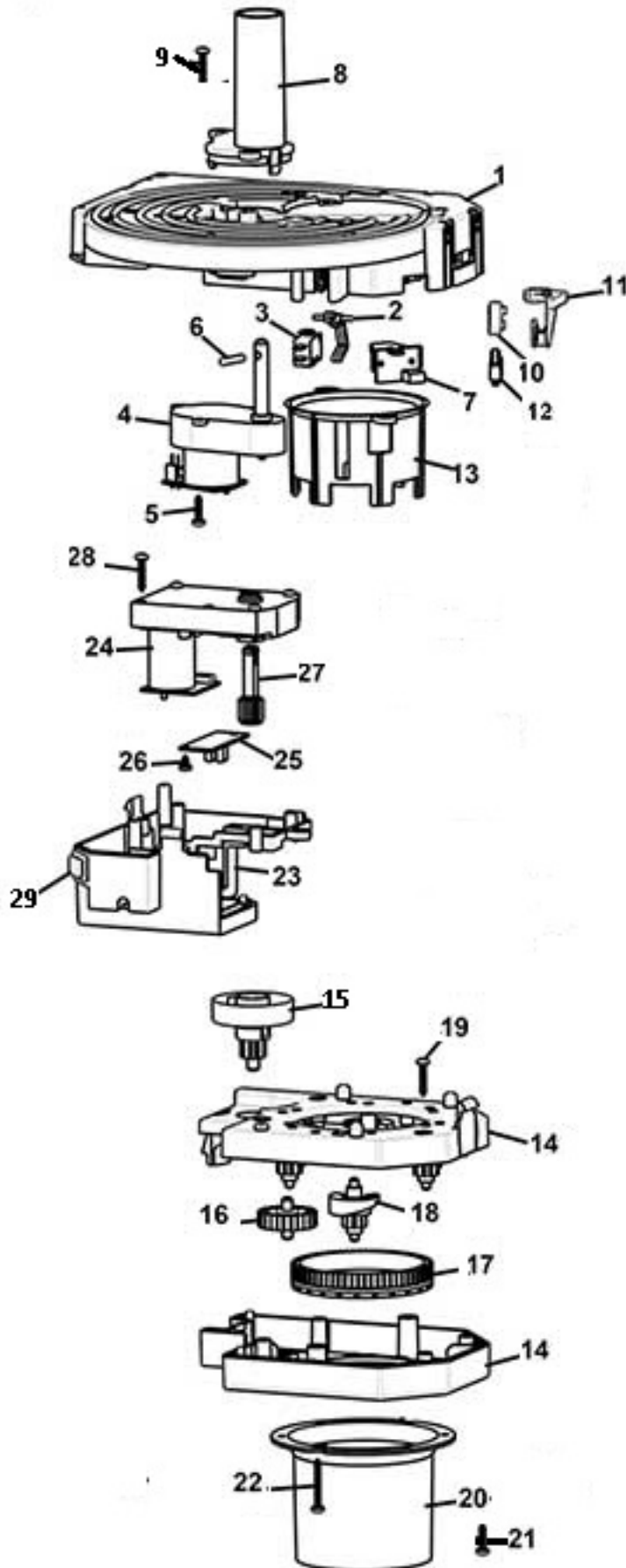
TURRET DB SUPPORT		
42/b	Z0190014046NA	DB SUPPORT COVER D.70 (BLACK)
43	VIT0000012	SCREW HEAD TAP CAP M4X10
44	Z0090002034R2	§MOTOR 18RPM 24V+PULLEY+REINF. Includes pos. 44 + 45 + 46 + 32 + 33
45	VIT0003108	WASHER TAB D. 3.2
46	Z0190014057	BUSHING FIXING MOTOR
100	Z0190014050R	§ CUP FORK MOVEMENT From pos. 19 to pos. 34 and 44

cups loader



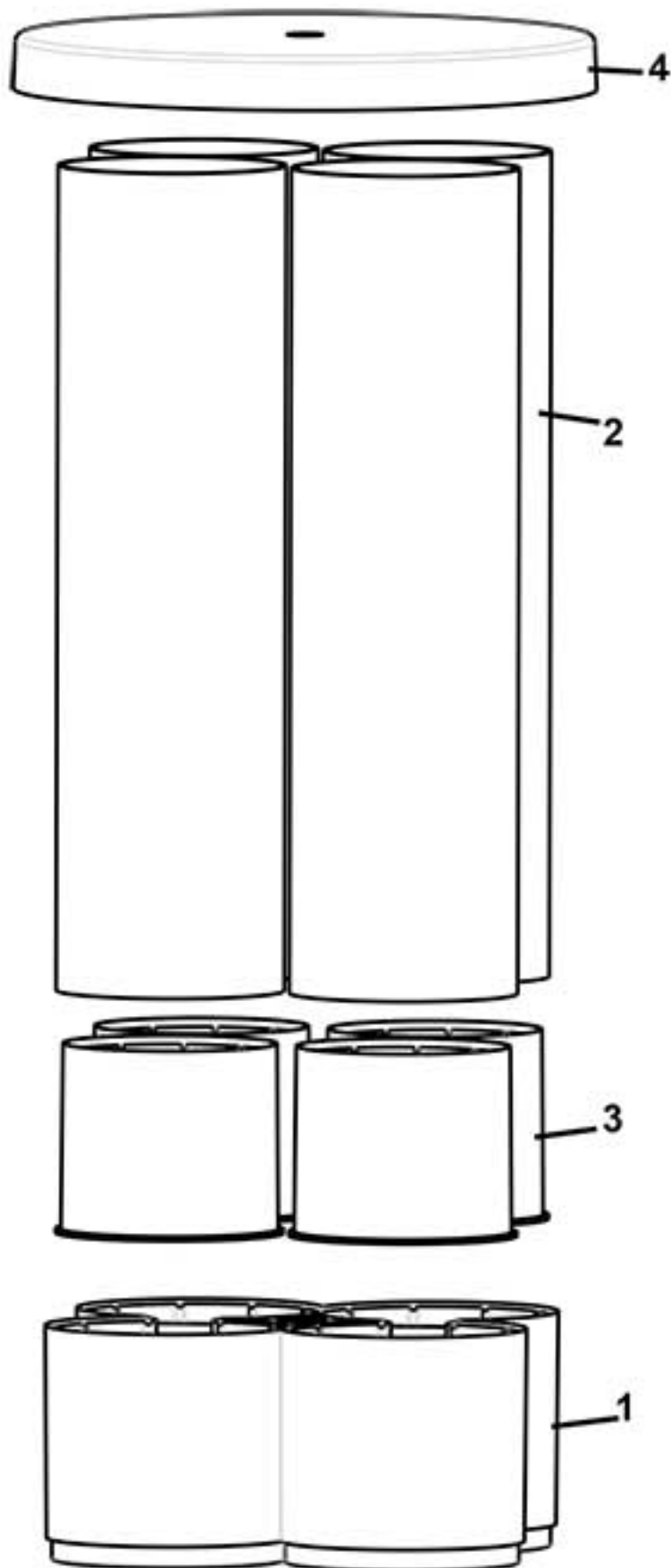
cups loader		
Pos.	Code	Description
1	Z0190006534CY-03	TURRET SUPPORT RAL9018
2/a	Z0190006543-01	MICROSWITCH LEVER WHITE
2/b	Z0190006556KA	MICROSWITCH LEVER RAL3020
3	ELE0001530	MICROSWITCH 3A 125-250VA
4	Z0190006546	CUP DISPENSER MOTOR CONNECTOR
5	VIT0002469	SCREW HEAD TAP M3.5X10
6	VIT0003301	WASHER 4,3X12X1,5
7	VIT0003103	SPRING WASHER 4,3
8	Z0190006503	Z26 WHEEL TURRET (WHITE)
9	Z0190006564	TURRET SHAFT
10	VIT0005203	DOWEL PIN 4X18
11	Z0190006544	Z16 PINION WHITE
12	Z0190006537CY	TURRET CUP CONNEC. 4C. RAL9018
13	VIT0002101	SCREW COUNT FLAT HEAD M3.5X13
16/a	Z0190006538CF	CUPS REDUCER D.70 RAL7016
16/b	Z0190006539CY	CUPS REDUCER D.73 RAL9018
17	Z0190006521CYR	LOWER/UPPER CUP DROP MECH.
18	Z0190006511NA	CUPS TURRET SPINDLE BLACK
19	Z0190006528	Z26 WHEEL WHITE
20/a	Z0190006523	TOOTHED RING NUT D.70/73
20/b	Z0190006507	TOOTHED RING NUT D.78/80 WHITE
21/a	Z0190006506IC	SPLIT UP D.70/78-ORANGE PL
21/b	Z0190006502	CUP SPLITTER D.73/80 PP WHITE
23	VIT0002456	SCREW HEAD TAP M3.5X25
24	Z0190006514CY	CUPS CHUTE 70/73 RAL9018
25	VIT0002468	SCREW HEAD TAP M3.5X30
26	Z0190006522CY	MOTOR SUPPORT RAL9018
27	Z0090002114R2	§ GEARBOX MOTOR 11RPM 24V DC
28	SCH0007000	SPLIT UP SENSOR
29	VIT0002002	SCREW ST HEAD CAP M3.5X6.5
30	Z0190006518	TOOTHED SHAFT Z18 WHITE
31	Z0090002123R	§ GEARBOX MOTOR 5,5RPM 24V DC
32	ELE0002258R	§ PUSH BUTTON RED
100/a	Z0190006534CL3R	§ TURRET SUPP-4COLUMNS D.70/73 From pos.1 to pos.13 (included pos.2/a) Up to serial 20204799999
100/b	Z0190006534CL4R	§ TURRET SUPPORT-4COLUMNS D.80 From pos.1 to pos.13 (included pos.2/b) Up to serial 20204799999
101/a	Z0190006520CLR	§ CUP DROP MECH. D.70-PL From pos. 17 to pos.23 (included pos.20/a+21/a)
101/b	Z0190006520CL2R	§ CUP DROP MECH. D.73-PP From pos. 17 to pos.23 (included pos.20/a+21/c)
101/c	Z0190006521CL5R	§ CUP DROP MECH. D.80-PP From pos. 17 to pos.23 (included pos.20/a+21/b)
102	Z0190006522CLR	§ CUPS DISPENSER MOTOR SUPPORT From pos.26 to pos. 32 Up to serial 20204799999

CUPS LOADER with DOUBLE SWITCH



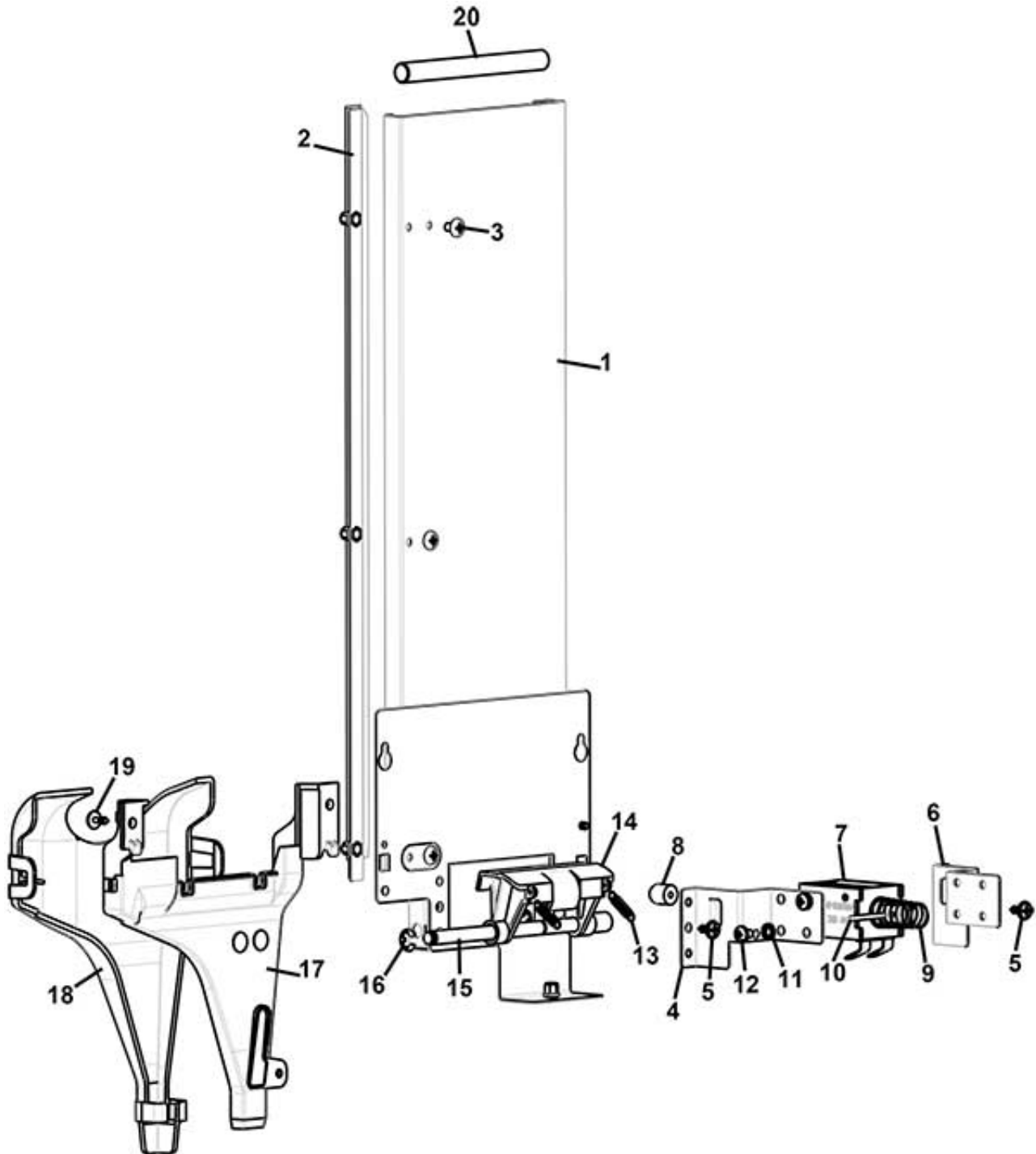
CUPS LOADER with DOUBLE SWITCH		
Pos.	Code	Description
1	Z0190006581CI	TURRET SUPPORT RAL 7042
2/a	Z0190006543-01	MICROSWITCH LEVER WHITE
2/b	Z0190006556KA	MICROSWITCH LEVER RAL3020
3	ELE0001530	MICROSWITCH 3A 125-250VA
4	Z0090002043R	§ MOTOR GEAR+BOARD
5	VIT0002469	SCREW HEAD TAP M3.5X10
6	VIT0005223	PIN 4X18 DIN 1475
7	SCH0007021	MOTOR FILTER
8	Z0190006537CY	TURRET CUP CONNEC. 4C. RAL9018
9	VIT0002101	SCREW COUNT FLAT HEAD M3.5X13
10	Z019A111001CI	MICRO SWITCH ACT. 0° DEGREES
11	Z019A111002CI	MICRO SUPPORT
12	CBLLZ00064	WIRED COLUMN MICROSWITCHG
13/a	Z0190006538CF	CUPS REDUCER D.70 RAL7016
13/b	Z0190006539CY	CUPS REDUCER D.73 RAL9018
14	Z0190006521CYR	LOWER/UPPER CUP DROP MECH.
15	Z0190006511NA	CUPS TURRET SPINDLE BLACK
16	Z0190006528	Z26 WHEEL WHITE
17/a	Z0190006523	TOOTHED RING NUT D.70/73
17/b	Z0190006507	TOOTHED RING NUT D.78/80 WHITE
18/a	Z0190006506IC	SPLIT UP D.70/78-ORANGE PL
18/b	Z0190006502	CUP SPLITTER D.73/80 PP WHITE
18/c	Z0190006551GJ	SPLIT UP D.70/78-YELLOW PP
18/d	Z0190006509PL	SPLIT UP D.80 MULTISTEP BLU
18/e	Z0190006512NA	SPECIAL PAWL Ø 80
19	VIT0002456	SCREW HEAD TAP M3.5X25
20	Z0190006514CY	CUPS CHUTE 70/73 RAL9018
21	VIT0002469	SCREW HEAD TAP M3.5X10
22	VIT0002468	SCREW HEAD TAP M3.5X30
23	Z0190006522CY	MOTOR SUPPORT RAL9018
24	Z0090002114R2	§ GEARBOX MOTOR 11RPM 24V DC
25	SCH0007000	SPLIT UP SENSOR
26	VIT0002002	SCREW ST HEAD CAP M3.5X6.5
27	Z0190006518	TOOTHED SHAFT Z18 WHITE
28	VIT0002025	SCREW ST HEAD CAP M3.5X22
29	ELE0002258	PUSH BUTTON RED
100/a	Z0190006534CL13R	§TURRET SUPP. 4C D.70/73 PD DS From pos.1 to pos.12 from serial 20204800000
100/b	Z0190006534CL14R	§ TURRET SUPP. 4C D.80 PD DS From pos.1 to pos.12 from serial 20204800000
101/a	Z0190006520CLR	§ CUP DROP MECH. D.70-PL From pos. 14 to pos. 19
101/b	Z0190006520CL0R	§ CUP DROP MECH. D.70-PP From pos. 14 to pos. 19
101/c	Z0190006520CL2R	§ CUP DROP MECH. D.73-PP From pos. 14 to pos. 19
101/d	Z0190006521CL5R	§ CUP DROP MECH. D.80-PP From pos. 14 to pos. 19
101/e	Z0190006521CL12R	§ CUP DROP MECH. D.80-PP BLUE From pos. 14 to pos. 19
101/f	Z0190006521CL19R	§ CUP DROP MECH. D.80-PP BLACK From pos. 14 to pos. 19
102	Z0190006522CL1R	§ GEARS DB TURRET SUPPORT From pos. 23 to pos. 29 from serial 20204800000

4 columns cups turret



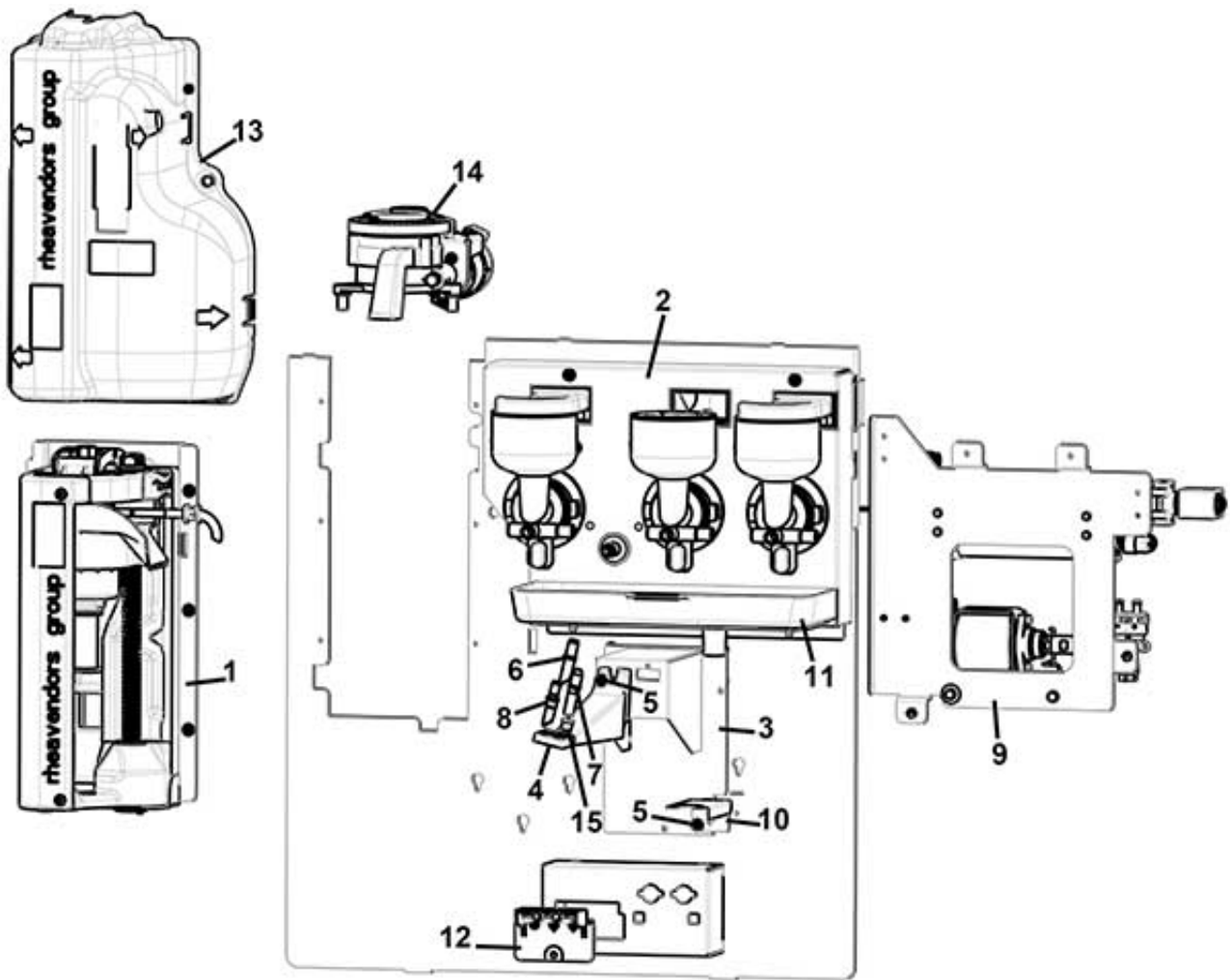
4 columns cups turret		
Pos.	Code	Description
1/a	Z0180013305CY	CUP TURRET SPINDLE 4C RAL 9018 Up to serial 20204799999
1/b	Z0180013307CY	CUP TURRET SPINDLE 4C D.80 Up to serial 20204799999
1/c	Z018A111013CY	CUP TURRET SPINDLE 4C D70 9018 from serial 20204800000
1/d	Z018A111012CY	CUP TURRET SPINDLE 4C D80 9018 from serial 20204800000
2/a	Z0180013146	CUP HOLDER D.84/81MM L305MM
2/b	Z0180013351	CUP HOLDER D.87/84MM L288MM
3	Z0180013113	D.70 COLUMN REDUCTION (WHITE)
4/a	Z0180013308CY	CUPS TURRET LID 4C. RAL 9018
4/b	Z0180013311CY	CUPS TURRET LID 4C D80 RAL9018
100	Z0180013145R	CUP TURRET 4C D.70/73 Up to serial 20204799999
101	Z0180013350R	§ CUP TURRET 4C D.80 Up to serial 20204799999
102	Z0180013145R0	CUP TURRET 4C D.70/73 from serial 20204800000
103	Z0180013350R0	§ CUP TURRET 4C D.80 from serial 20204800000

stirrer dispenser



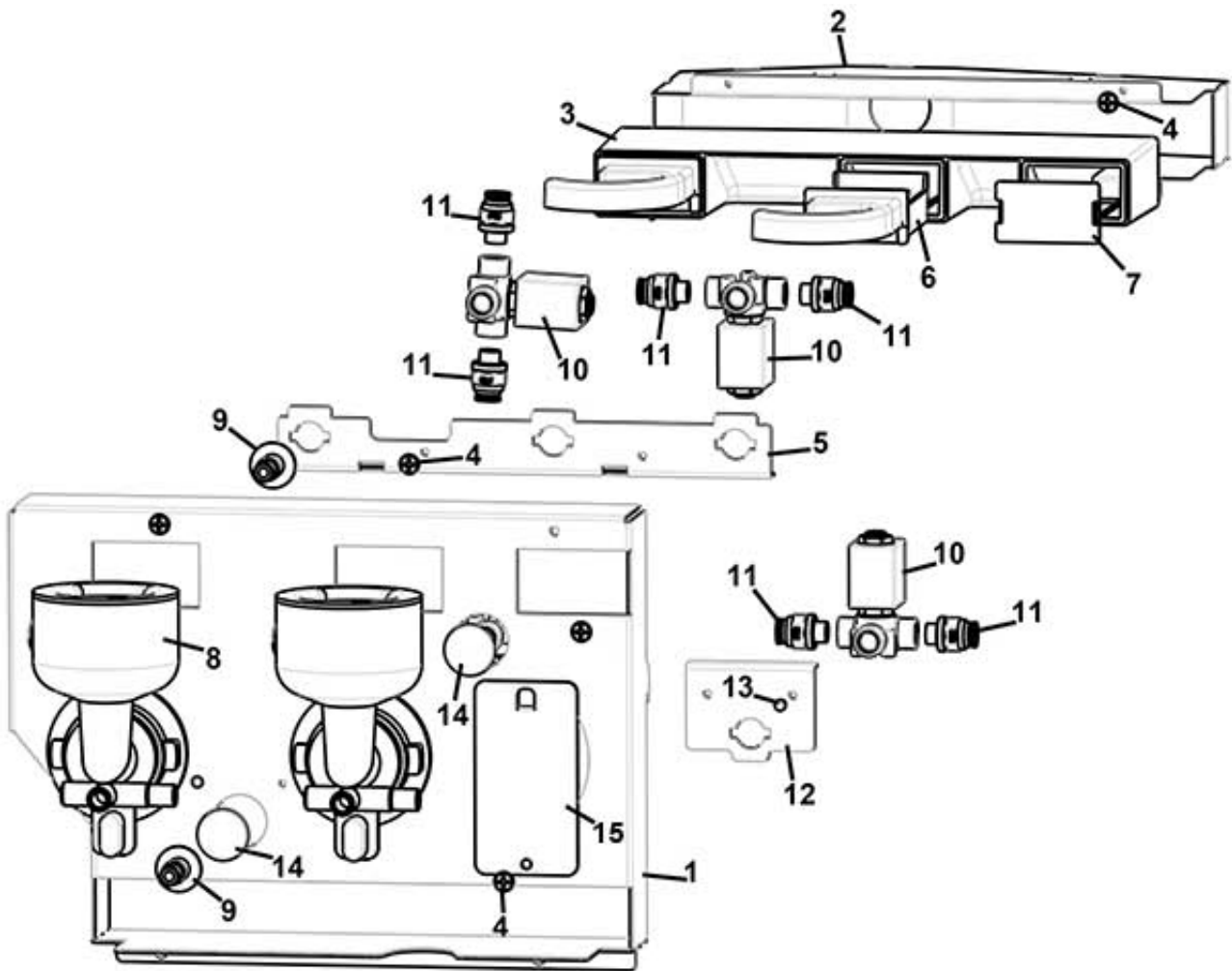
stirrer dispenser		
Pos.	Code	Description
1	Z0450003555	STIRRER DISPENSER
2	Z0450003560	STIRRER DISPENSER GUIDE
3	VIT0000012	SCREW HEAD TAP CAP M4X10
4	Z0450003559	ELETTROMAGNET R.H. SUPPORT
5	VIT0002009	SCREW ST HEAD CAP M3.5X6.5
6	Z0450003558	ELETTROMAGNET L.H. SUPPORT
7	ELE0000062	15% 24VDC ELECTROMAGNET W/FAST
8	Z0190014038	ELETTTROMAGNET PIN
9	Z0380011419	SPRING
10	VIT0005212	DOWEL PIN 2.5X24
11	VIT0003103	SPRING WASHER 4,3
12	VIT0000021	SCREW HEAD TAP CAP M4X6
13	Z0450003010	SPRING
14	Z0450003565NA	STIRRER EJECTOR BLACK
15	Z0450003566	STIRRER EJECT SHAFT
16	VIT0006504	RING 5
17	Z0450003571TR	TRASPARENT STICKS CHUTE
18	Z0450003572TR	TRASPARENT STICKS CHUTE COVER
19	VIT0002401	SCREW ST HEAD CAP M3.5X9.5
20/a	4001012030	STIRRER WEIGHT 89MM
20/b	Z0450003033	STIRRER WEIGHT 104MM
100	Z0450003550CL	§ STIRRER DISPENSER 89-104-115 From pos. 1 to pos. 19

mixer plan

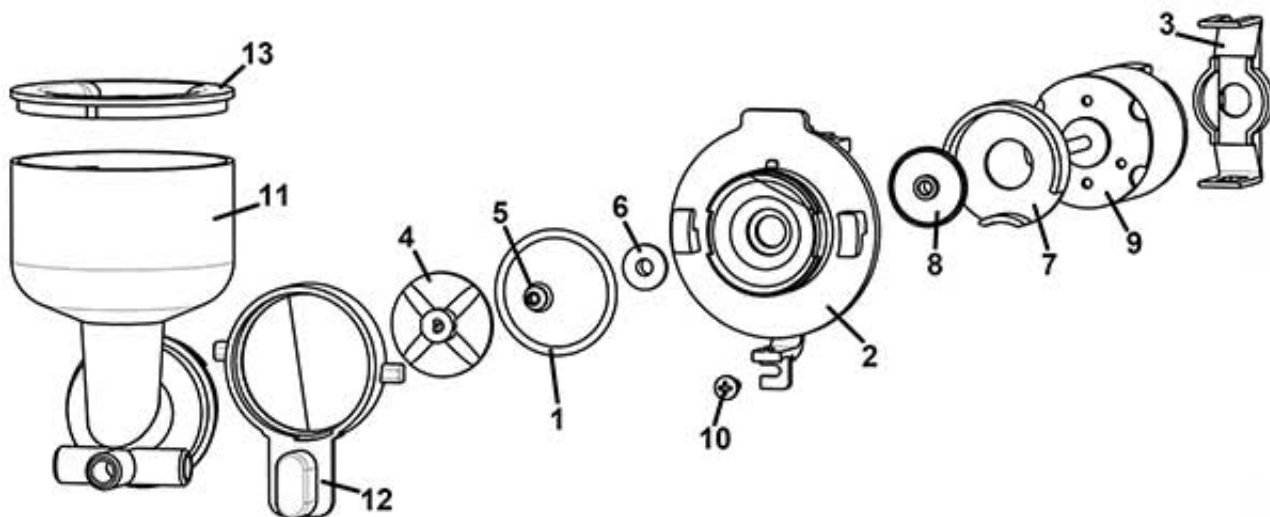


mixer plan		
Pos.	Code	Description
1		See table PRO BREWER SUPPORT+MOTOR
2		See table MIXERS SUPPORT
3	Z0380011650NA	NOZZLE HOLDER (BLACK)
4	Z0380011551NA	NOZZLES HOLDER
5	VIT0002401	SCREW ST HEAD CAP M3.5X9.5
6	Z0380010657NA	ESPRESSO NOZZLE D. 5,7
7	Z0380011666CK	MILK NOZZLE (RAL7037)
8	Z0380011665EB	COFFEE NOZZLE RAL8019
9		See table VARITHERM SUPPORT
10	Z0260012037NA	DRIP TRAY TUBE PLATE (BLACK)
11	Z0260012029NA	TRAY (BLACK)
12	Z0070035010CL	§ DRIP TRAY SENSOR SUPPORT
13	Z0250014074CL1	§ VARIFLEX BREWER COVER-FS
14		See table GRINDER
15	Z0380010656NA	PLUG BLACK

MIXERS SUPPORT

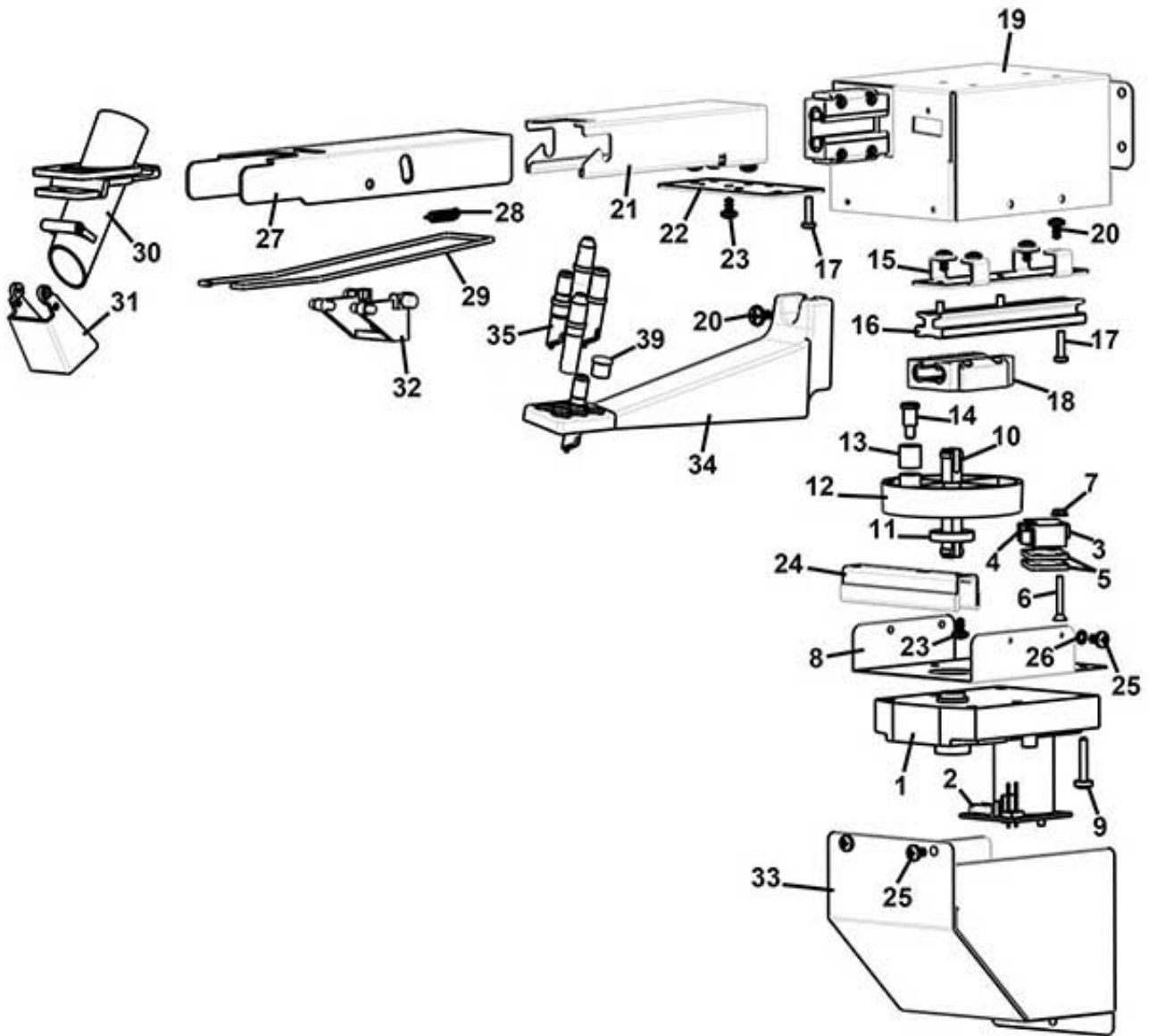


MIXERS SUPPORT		
Pos.	Code	Description
1	Z0260012061NA	MIXER SUPPORT
2	Z0010026110NA	EXHAUST DRAWER
3	Z0260012065NA	TRAP DRAWER
4	VIT0002401	SCREW ST HEAD CAP M3.5X9.5
5	Z0260012064NA	VALVE SUPPORT
6	Z0010027022	TRAP DRAWER REMOVABLE
7	Z0010027039NA	TRAP PLUG
8		See table mixer
9	Z0080100153	MIXER CONNECTOR G 1/8
10	Z0110001130	VALVE 2WX3INLET 24V DC 6W
11	Z0100001150	STRAIGHT CONNECTOR M G1/8 D6
12	Z0010026379NA	H2O VALVE SUPPORT
13	VIT0002401	SCREW ST HEAD CAP M3.5X9.5
14	Z0080100035NA	CONNECTOR PLUG BLACK
15	Z0010020028NA	MIXER PLUG BLACK



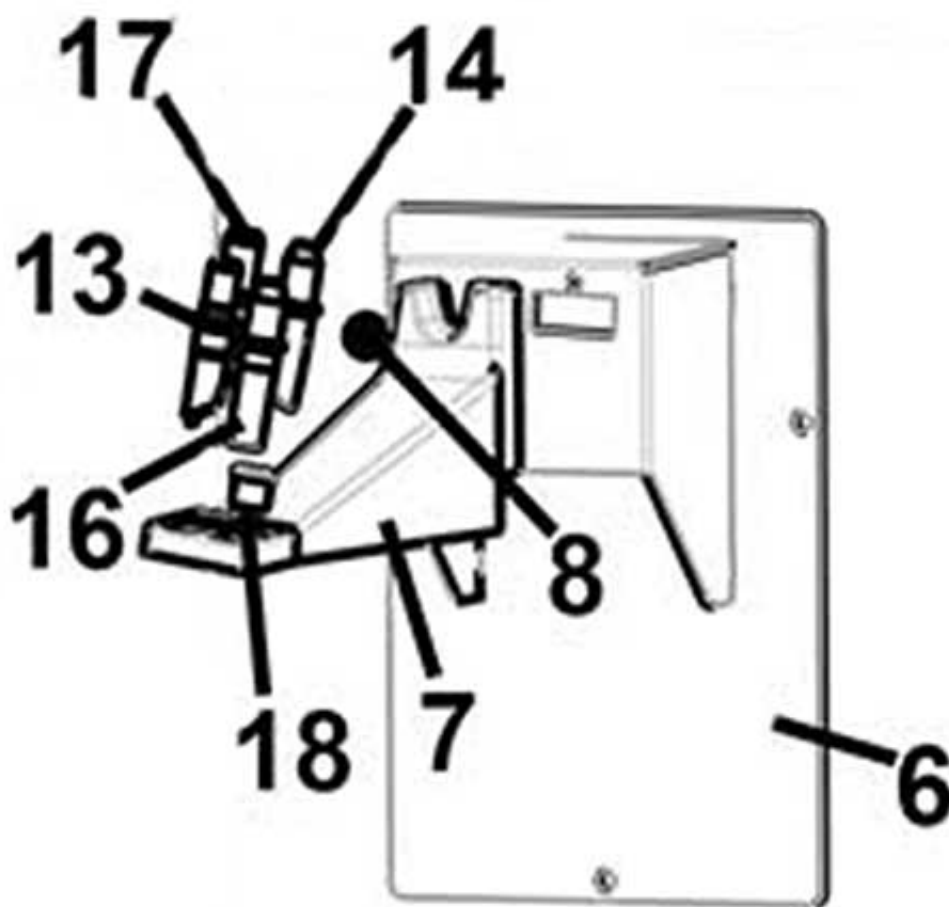
mixer		
Pos.	Code	Description
1	GUA0000084	OR 3131 RED SILICONE A60
2	Z0080100005	MOTOR MIXER BASE
3	Z0080100009IC	MIXER MOTOR SUPPORT RAL2011
4	Z0080100251NA	MIXER FUN
5	Z0080100102	MIXER SHAFT GASKET
6	Z0080100015	MIXER BUSH
7	Z0080100023IC	MIXER COVER RAL2011
8	Z0080100024	MIXER FAN
9	Z0090003023	MIXER MOTOR 24V DC SHAFT D.4
10	VIT0002401	SCREW ST HEAD CAP M3.5X9.5
11/a	Z0080200101L	MIXING BOWL L.W/H20 BREAKER
11/b	Z0080200102R	MIXING BOWL R.W/H20 BREAKER
11/c	Z0080200103C	MIXING BOWL F.W/H20 BREAKER
12	Z0080100006IC	LOCK RING RAL2011
13	Z0080100008	UPPER RING
100	Z0080100001R1	§ MIXER BOWL BASE+MOTOR (from pos.1 to pos.9)

extractable sugar movement



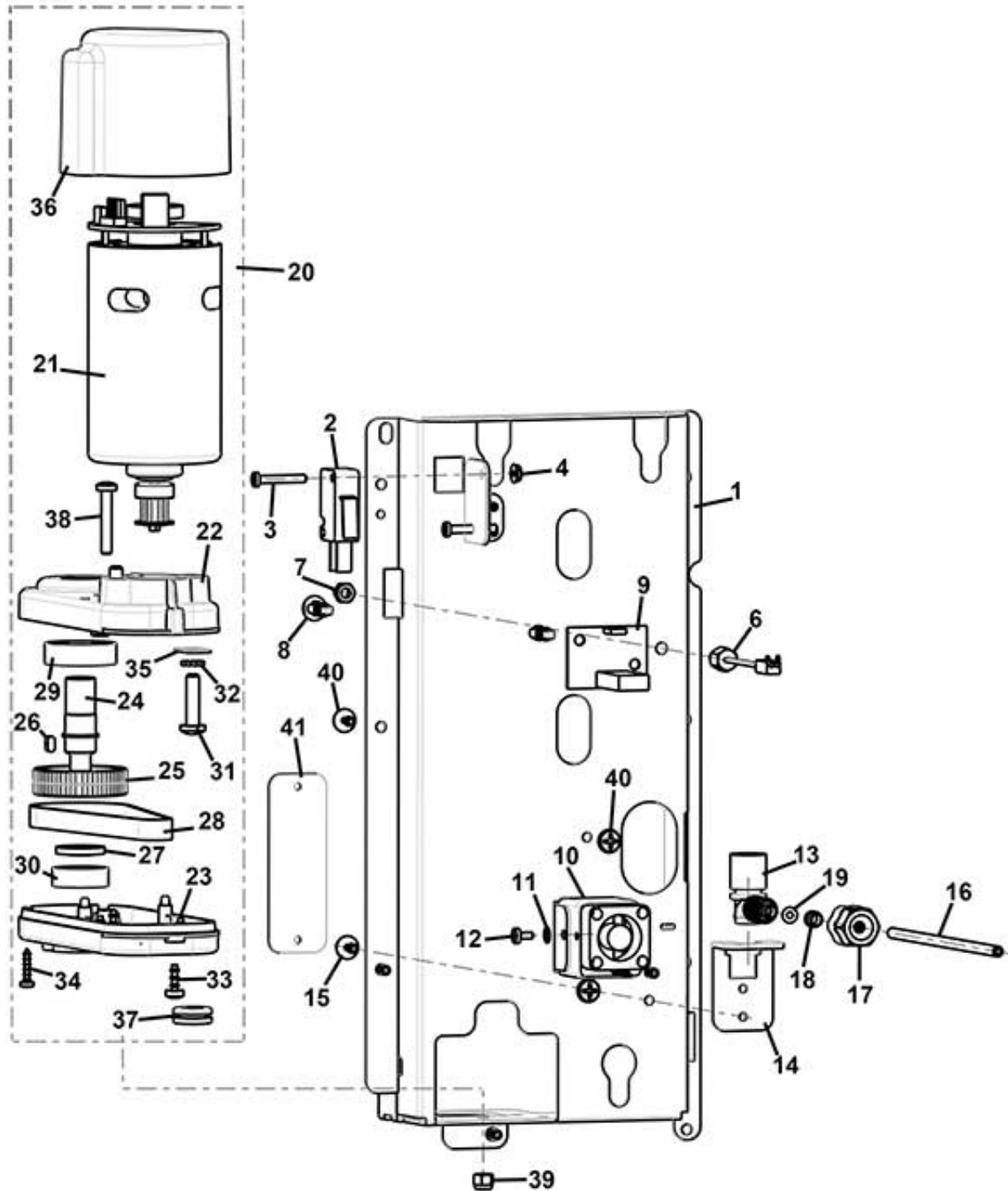
extractable sugar movement		
Pos.	Code	Description
1	Z0090002114R1	§ GEARBOX MOTOR 11RPM 24V DC
2	SCH0003740	MOTOR FILTER
3	ELE0001522	MICROSWITCH
4	ELE0001906	MICROSWITCH LEVER
5	4600010014	SPACER
6	VIT0000105	M 3*20 TSP SCREW
7	VIT0004701	NUT M3
8	Z0380011761NA	GEARBOX MOTOR SUPPORT (BLACK)
9	VIT0000035	SCREW HEAD TAP CAP M4X20
10	Z0380010421	GEARBOX MOTOR SHAFT
11	Z0380010831	BUSH 20x4
12	Z0380011411	DISK
13	Z0200001011	BEARING
14	Z0200001012	PIN BEARING
15	Z0380011752	GUIDE SUPPORT
16	Z0380010933	PIPES MOVEMENT GUIDE RAIL
17	VIT0000005	SCREW HEAD TAP CAP M3X12
18	Z0380010798	NOZZLE MOVEMENT GUIDE
19	Z0380011751NA	PIPE MOVEMENT HOUSING (BLACK)
20	VIT0002401NA	SCREW ST HEAD CAP M3.5X9.5
21	Z0380011753	PIPE MOVEMENT GUIDE
22	Z0380011754	SLIDE SUPPORT
23	VIT0002009	SCREW ST HEAD CAP M3.5X6.5
24	Z0380011755	SLIDE
25	VIT0002009NA	SCREW STHEAD CAP 3,5X6,5 BLACK
26	VIT0003115	SPRING WASHER 3,7
27	Z0380011327	SUPPORT
28	Z0380010431	SPRING
29	Z0380011328	BRACKET
30	Z0380011229NA	SUGAR CHUTE
31	Z0380010424NA	SUGAR SPLITTER
32	Z0380010599	NOZZLE MOVEMENT BUTTON
33	Z0380011756NA	GEARBOX MOTOR COVER (BLACK)
34	Z0380011551NA	NOZZLES HOLDER
35/a	Z0380011665EB	COFFEE NOZZLE RAL8019
35/b	Z0380011666CK	MILK NOZZLE (RAL7037)
35/c	Z0380011667MD	THE NOZZLE RAL6032
35/d	Z0380010657NA	ESPRESSO NOZZLE D. 5,7
39	Z0380010656NA	PLUG BLACK
40	Z0380011750CL	§ PIPES MOVIMENT From pos.1 to pos.34

Fixed sugar movement

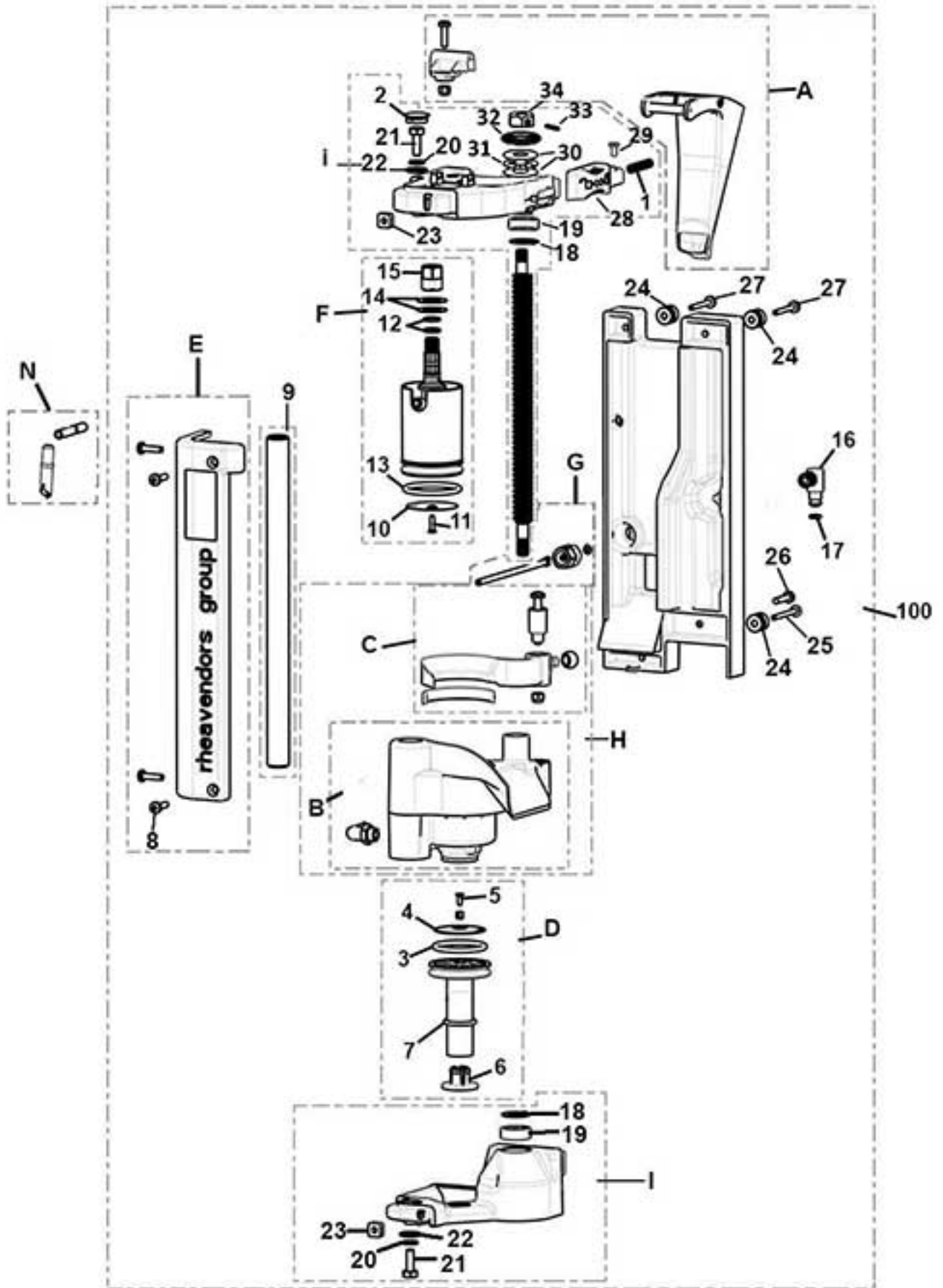


Fixed sugar movement		
Pos.	Code	Description
6	Z0380011700NA	NOZZLE HOLDER BLACK
7	Z0380011551NA	NOZZLES HOLDER
8	VIT0002401	SCREW ST HEAD CAP M3.5X9.5
13	Z0380011665EB	COFFEE NOZZLE RAL8019
14	Z0380011667MD	THE NOZZLE RAL6032
16	Z0380011666CK	MILK NOZZLE (RAL7037)
17	Z0380011665EB	COFFEE NOZZLE RAL8019
18	Z0380010656NA	PLUG BLACK

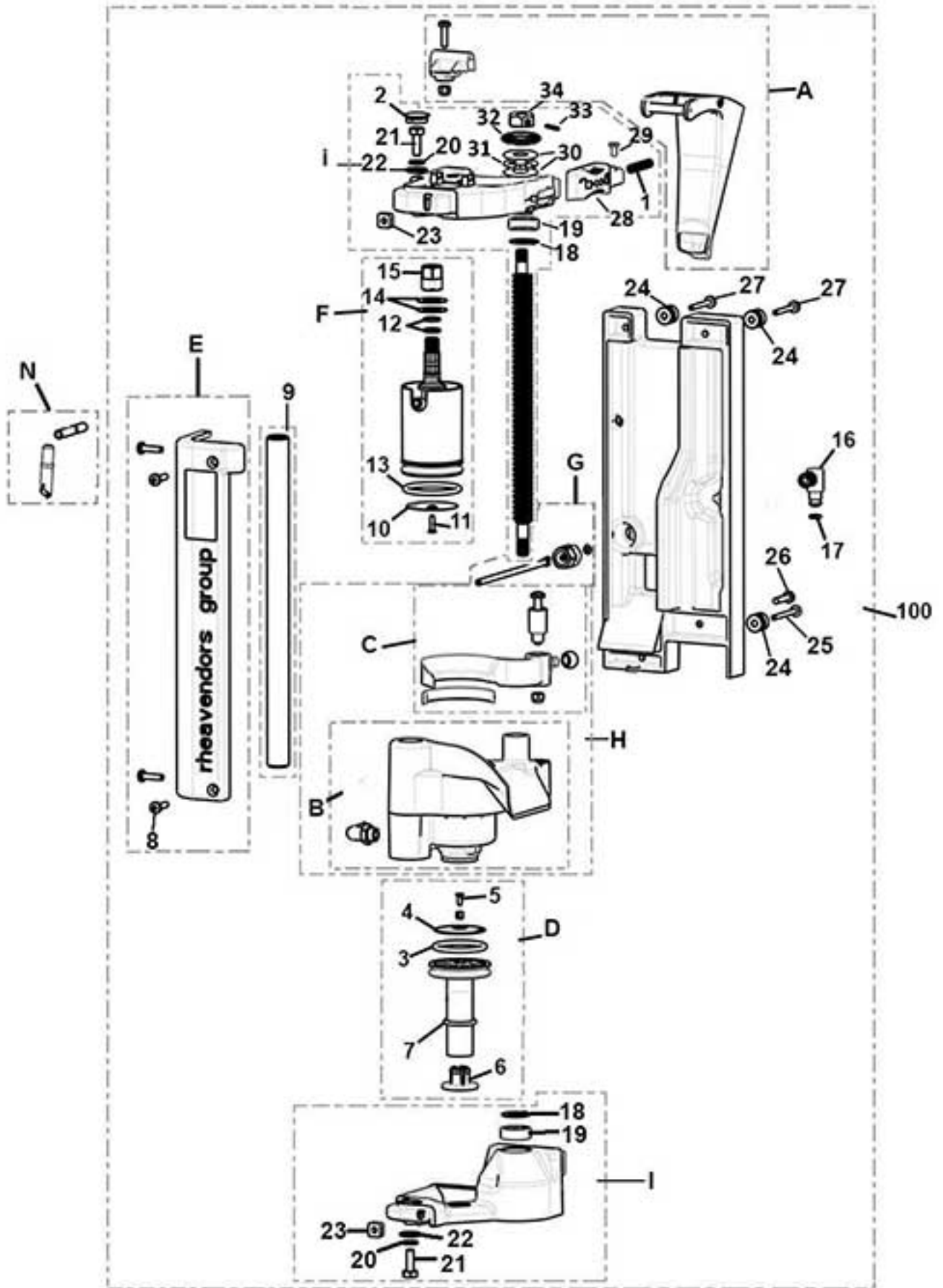
PRO BREWER SUPPORT+MOTOR



PRO BREWER SUPPORT+MOTOR		
Pos.	Code	Description
1	Z0260014042	VARIFLEX BREWER SUPPORT
2	ELE0001522	MICROSWITCH
3	VIT0000006	SCREW HEAD TAP CAP M3X16
4	VIT0004701	NUT M3
6	ELE0000931	PROBE NTC 10K/TE
7	VIT0004816	NUT M4
8	ELE0062020	BOARD SUPPORT
9		Heater board sold with code ELE0000467-02
10	ELE0000467-02	FAN HEATER 24V DC + BOARD
11	VIT0003102	SPRING WASHER 3,2
12	VIT0000002	SCREW HEAD TAP CAP M3X6
13	Z0250014084-02	FEMALE CONNECTOR
14	Z0260014009-01	H2O CONNECTOR SUPPORT
15	VIT0002009	SCREW ST HEAD CAP M3.5X6.5
16	TTEF02/04T	PTFE PIPE 2X4
17	Z0250014086	NUT
18	Z0100002014	LOCKING RING SO1-4
19	GUA0000061	OR 2010 VITON 80 BLACK
20	Z0090002250R	§ VARIFLEX BREW. GEARBOX MOTOR From pos. 21 to pos. 37 (new version components)
21	Z0090002252-01	§ MOTOR 24V DC New version
22	Z0090002222NA	MOTOR UPPER CASE RAL9005 New version
23	Z0090002223NA	MOTOR LOWER CASE RAL9005 New version
24	Z0090002224	FEMALE CONNECTOR SHAFT
25/a	Z0090002255AN	PULLEY New version from serial 20154600000
25/b		For machine built before Serial n. 20154599999 pls order motor Z0090002250R
26	VIT0006703	CLAMP
27	Z0090002226	SPACER
28/a	Z00900022258	BELT New version from serial 20154600000
28/b		For machine built before Serial n. 20154599999 pls order motor Z0090002250R
29	VIT0009324	BEARING
30	VIT0009320	BEARING
31	VIT0000017	SCREW HEAD TAP CAP M5X20
32	VIT0003104	SPRING WASHER 5,3
33	VIT0002469	SCREW HEAD TAP M3.5X10
34	VIT0002014	SCREW ST HEAD CAP M2.9X13
35	Z0090002240	MOTOR SPACER
36	Z0090002235CK	MR GV BOARD COVER R.7037
37	GUA0010501	ELECTRICAL GROMMET DG 7,5
38	VIT0000015	SCREW HEAD TAP CAP M4X25
39	VIT0004815	NUT M4
40	VIT0002401	SCREW ST HEAD CAP M3.5X9.5
41	Z0260014004	HEATER PLUG
100	Z0250014086R	§ WATER INLET TUBE From pos. 16 to pos. 19
101	Z0090002224R	§ FEMALE CONNECTOR SHAFT From pos.24 to pos.30 excluded pos.28

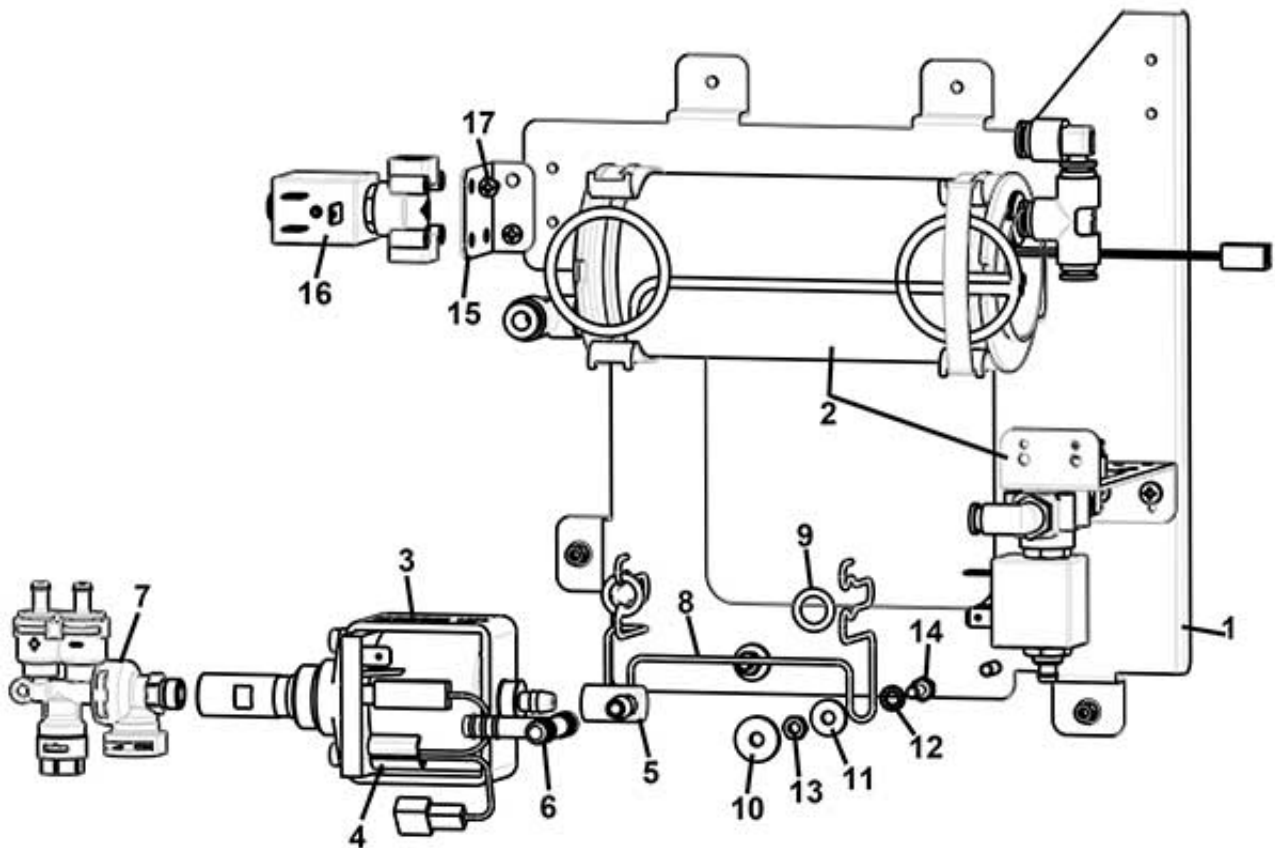


PROFESSIONAL BREWER GROUP D.45		
Pos.	Code	Description
A	Z0250014008R	§ CHUTE D. 45
1	Z0250014081	SPRING
2	GUA0011022	PLUG
B	Z0250014022R	§ INFUSION CHAMBER D.45 included internal components and elbow
C	Z0250014024R	§ BRUSH D.45
D	Z0250014028R	§ LOWER FILTER HOLDER D.45
3	GUA0000097	OR 4131 RED SILICONE LSR70
4	Z0250014029	COFFEE FILTER DIAM. 37.3
5	VIT0000121	SCREW COUNT FLAT HEAD M3X8
6	Z0250014027R1	LOWER PISTON LOCK+SET SCREW
7	GUA0000103	OR 3075 SILICON
E	Z0250014019R	§ FRONTAL COVER
8	VIT0001009	SCREW HEAD TAP CAP M4X16
9	Z0250014013-04	CYLINDRICAL GUIDE
F	Z0250014045R	§ UPPER FILTER HOLDER D.45
10	Z0250008211	COFFEE FILTER D 37.3
11	VIT0000129	SCREW COUNT HEAD M3X12
12	GUA0000045	OR 108 VITON 80 BLACK
13	GUA0000067	OR 4143 RED SILICONE LSR70
14	Z0250014048	SPRING
15	Z0250014086	NUT
16	Z0250014085	MALE CONNECTOR
17	GUA0000004	OR 104 NBR AL 75 BLACK
G	Z0250014086R	§ WATER INLET TUBE
I	Z0250014005R2	§UPPER SUPPORT WITHOUT CHUTE
H	Z0250014020R	§ INFUSION CHAMBER D.45
L	Z0250014012R	§ LOWER SUPPORT
18	Z0250014077	SPACER
19	VIT0009320	BEARING
20	VIT0003113	SPRING WASHER 6,4
21	VIT0000249	SCREW HEX HEAD M6X16
22	Z0250014079	WASHER D.15 D.6,5 SP.1,5
23	VIT0009112	NUT M4
24	Z0250014072	PIN
25	VIT0000033	SCREW HEAD TAP CAP M4X35
26	VIT0001011	SCREW HEAD TAP CAP M4X20
27	VIT0001006	SCREW HEAD TAP CAP M4X30
28	Z0250014082	BREWER STOPPER BUTTON
29	VIT0002009	SCREW ST HEAD CAP M3.5X6.5
30	VIT0009318	SPACER WASHER
31	VIT0009317	BEARING
32	GUA0001007	V RING GASKET VA16
33	VIT0007011	SET SCREW 4X4
34	Z0250014071	NUT M8
N	Z0250008132CL	§ COFFEE OUTLET PIPE
100	Z0250014000CL	COFFEE BREWER VARIFLEX D 45



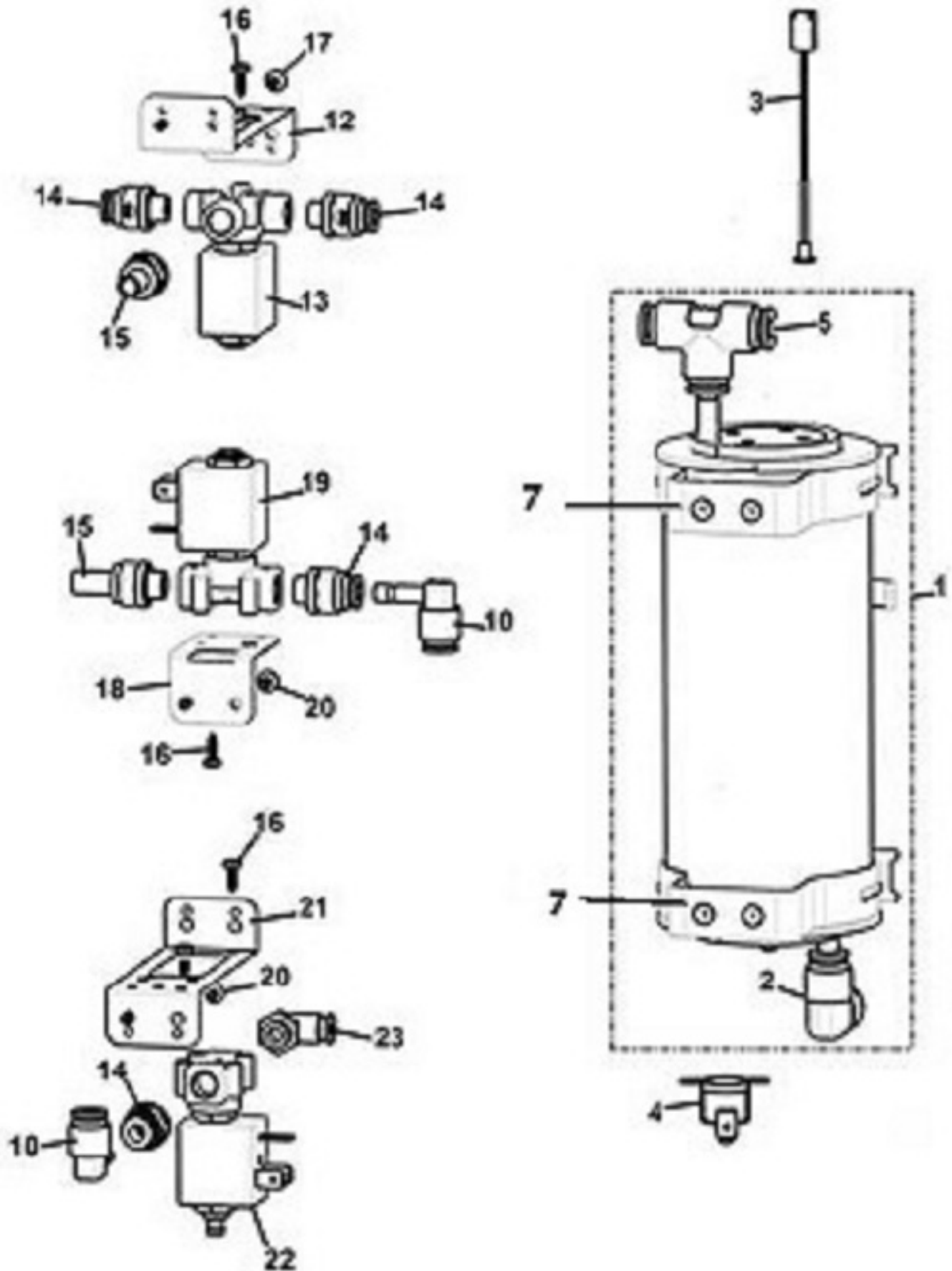
PROFESSIONAL BREWER GROUP D.36		
Pos.	Code	Description
A	Z0250014033R	§ CHUTE D. 36
1	Z0250014081	SPRING
2	GUA0011022	PLUG
B	Z0250014032R	§ INFUSION CHAMBER D.36 included internal components and elbow
C	Z0250014034R	§ BRUSH D.36
D	Z0250014038R	§ LOWER FILTER HOLDER D.36
3	GUA0000080	OR 4112 RED SILICONE LSR70
4	Z0250008019	COFFEE FILTER
5	VIT0000121	SCREW COUNT FLAT HEAD M3X8
6	Z0250014027R1	LOWER PISTON LOCK+SET SCREW
7	GUA0000103	OR 3075 SILICON
E	Z0250014019R	§ FRONTAL COVER
8	VIT0001009	SCREW HEAD TAP CAP M4X16
9	Z0250014013	
F	Z0250014040R	§ UPPER FILTER HOLDER D.36
10	Z0250008099	COFFEE FILTER
11	VIT0000129	SCREW COUNT HEAD M3X12
12	GUA0000045	OR 108 VITON 80 BLACK
13	GUA0000080	OR 4112 RED SILICONE LSR70
14	Z0250014048	SPRING
15	Z0250014086	NUT
16	Z0250014085	MALE CONNECTOR
17	GUA0000004	OR 104 NBR AL 75 BLACK
G	Z0250014086R	§ WATER INLET TUBE
H	Z0250014030R	§ CHAMBER D.36
I	Z0250014005R2	§UPPER SUPPORT WITHOUT CHUTE
L	Z0250014012R	§ LOWER SUPPORT
18	Z0250014077	SPACER
19	VIT0009320	BEARING
20	VIT0003113	SPRING WASHER 6,4
21	VIT0000249	SCREW HEX HEAD M6X16
22	Z0250014079	WASHER D.15 D.6,5 SP.1,5
23	VIT0009112	NUT M4
24	Z0250014072	PIN
25	VIT0000033	SCREW HEAD TAP CAP M4X35
26	VIT0001011	SCREW HEAD TAP CAP M4X20
27	VIT0001006	SCREW HEAD TAP CAP M4X30
28	Z0250014082	BREWER STOPPER BUTTON
29	VIT0002009	SCREW ST HEAD CAP M3.5X6.5
30	VIT0009318	SPACER WASHER
31	VIT0009317	BEARING
32	GUA0001007	V RING GASKET VA16
33	VIT0007011	SET SCREW 4X4
34	Z0250014071	NUT M8
N	Z0250008132CL	§ COFFEE OUTLET PIPE
100	Z0250014060CL	§ COFFEE BREWER VARIFLEX D.36

VARITHERM SUPPORT



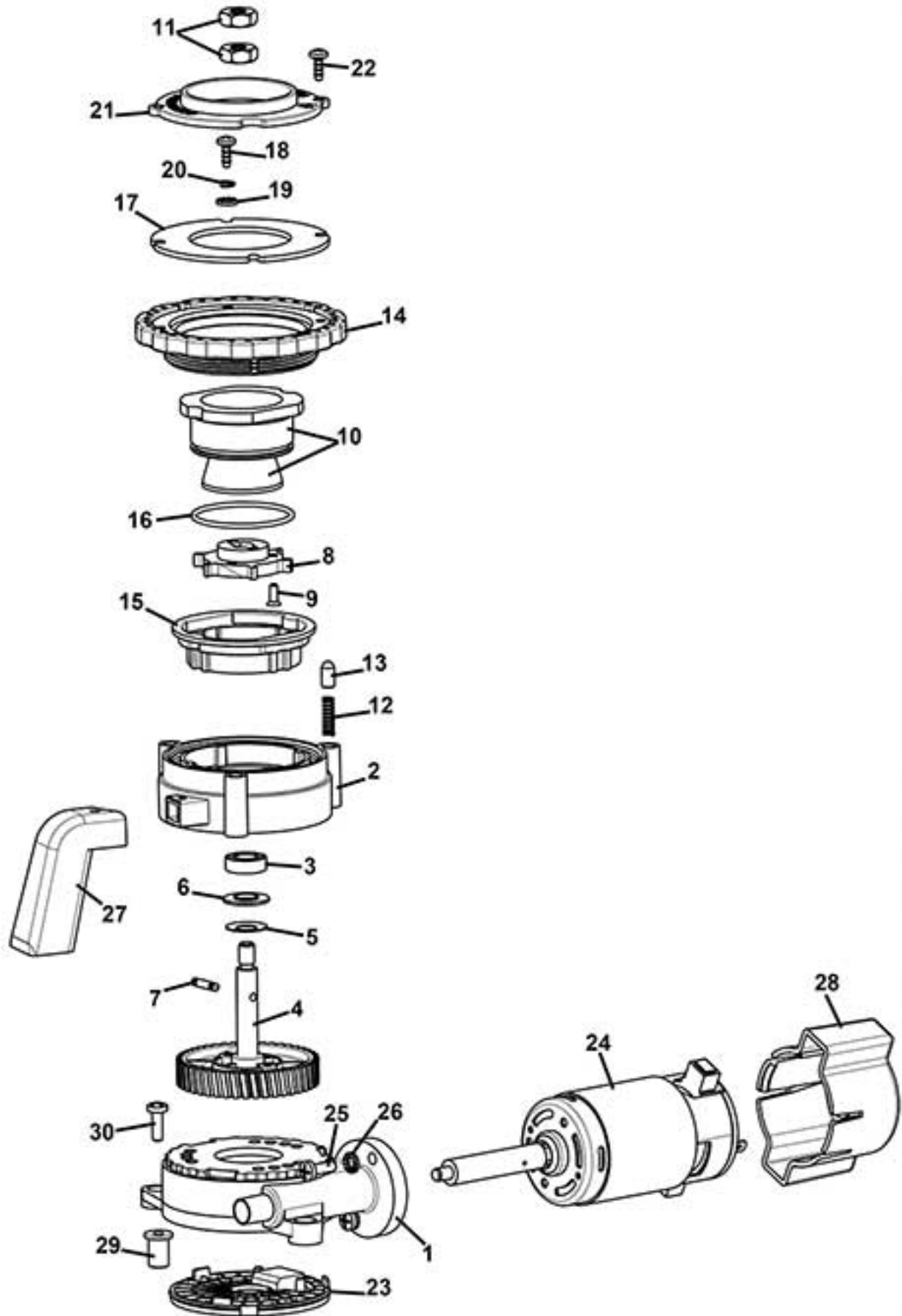
VARITHERM SUPPORT		
Pos.	Code	Description
1	Z0600019756NA	VARITHERM SUPPORT
2		See table VARITHERM
3/a	Z0110004063	PUMP EP5 230V 50HZ
3/b	Z0110004067	PUMP EP5 220V 50/60HZ For version 220V
4	ELE0000915	PUMP THERMOPROTECTOR
5	Z0110004023	CONNECTOR
6	Z0100003022	T CONNECTOR 461 TS UL
7	Z0110001151R	VALVE 3W W/BY-PASS 11BAR
8	Z0110004038	PUMP SUPPORT
9	GUA0000043	OR 109 NBR AL 75 BLACK
10	1600001098	RUBBER SPACER D. 4,5
11	VIT0003301	WASHER 4,3X12X1,5
12	VIT0003103	SPRING WASHER 4,3
13	VIT0004503	NUT M4
14	VIT0000234	SCREW HEX HEAD M4X12 A2
15	Z0600019757	VALVE SUPPORT
16	Z0110001140	VALVE 2W 24V DC 6W
17	VIT0002401	SCREW ST HEAD CAP M3.5X9.5

VARITHERM



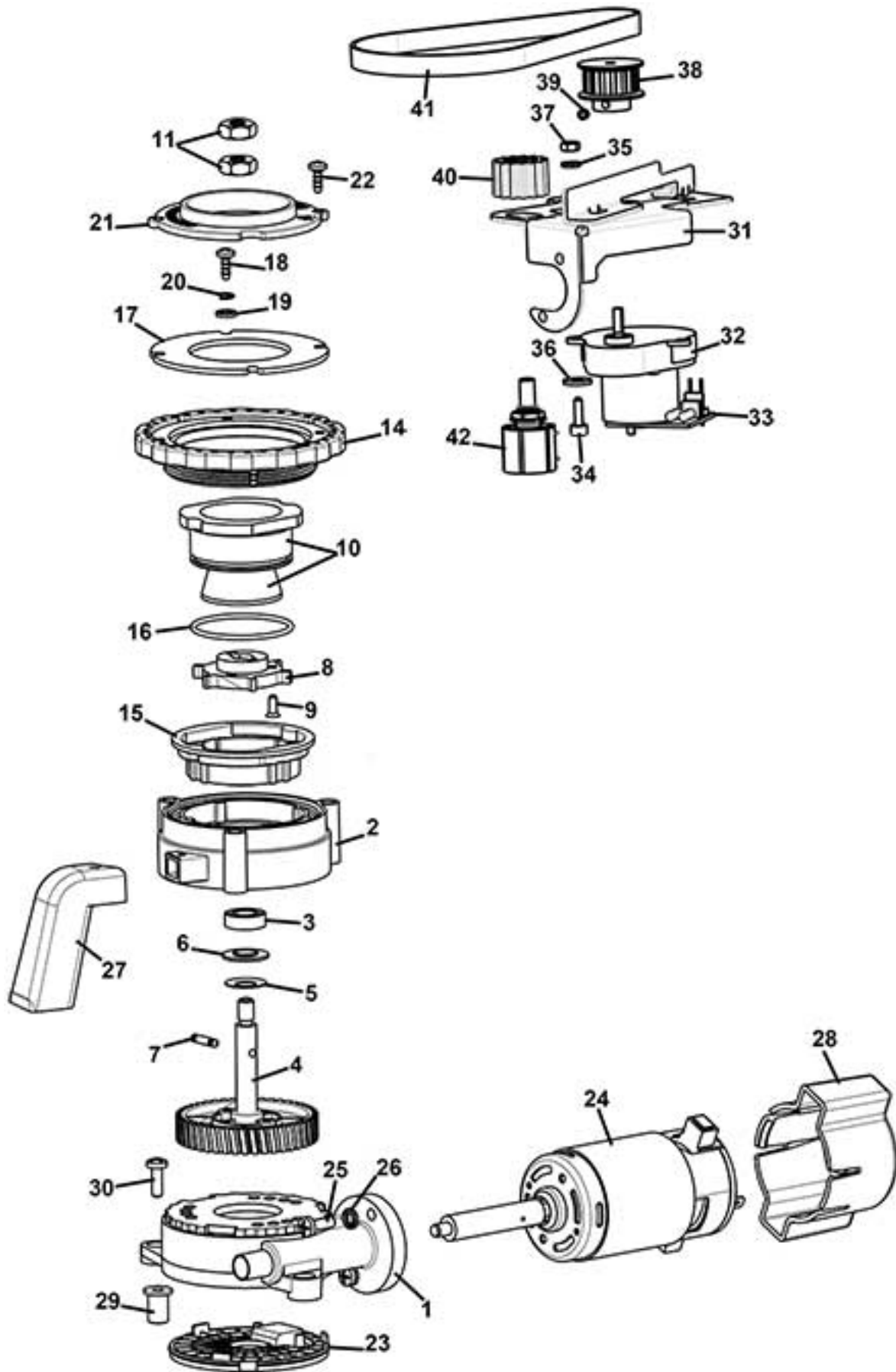
VARITHERM		
Pos.	Code	Description
1/a	Z0600019900R	§ VARITHERM INDUCTION SYS. TT With reference to the TSB-20180129-01
1/b	KITXSG0036	BY-PASS+ELBOW KIT With reference to the TSB-20180727-01
1/c	KITXSG0037	COIL KIT With reference to the TSB-20180727-01
2	Z0100001158	FITTING ELBOW D6-D6 With reference to the TSB-20180727-01
3	ELE0000986	PROBE
4	ELE0000987	CLIXSON 105°
5	Z0100001154	T CONNECTOR
7	Z0600019909	COIL SUPPORT SPRING
10	Z0100001156	FITTING ELBOW D6-D6
12	Z0600019915-P3	VALVE SUPPORT
13	Z0110001130	VALVE 2WX3INLET 24V DC 6W
14	Z0100001150	STRAIGHT CONNECTOR M G1/8 D6
15	Z0100001137-01	ADAPTOR CYLINDRICAL G1/8 D.8
16	VIT0002011	SCREW ST HEAD CAP M2.9X9.5
17	VIT0002009	SCREW ST HEAD CAP M3.5X6.5
18	Z0600019913	VALVE SUPPORT
19	Z0110001140	VALVE 2W 24V DC 6W
20	VIT0002401	SCREW ST HEAD CAP M3.5X9.5
21	Z0600019915-P3	VALVE SUPPORT
22	Z0110001145	VALVE 3WAY 5W 24V DC
23	Z0100001104	ELBOW 4-1/8 CONNECTOR

GRINDER



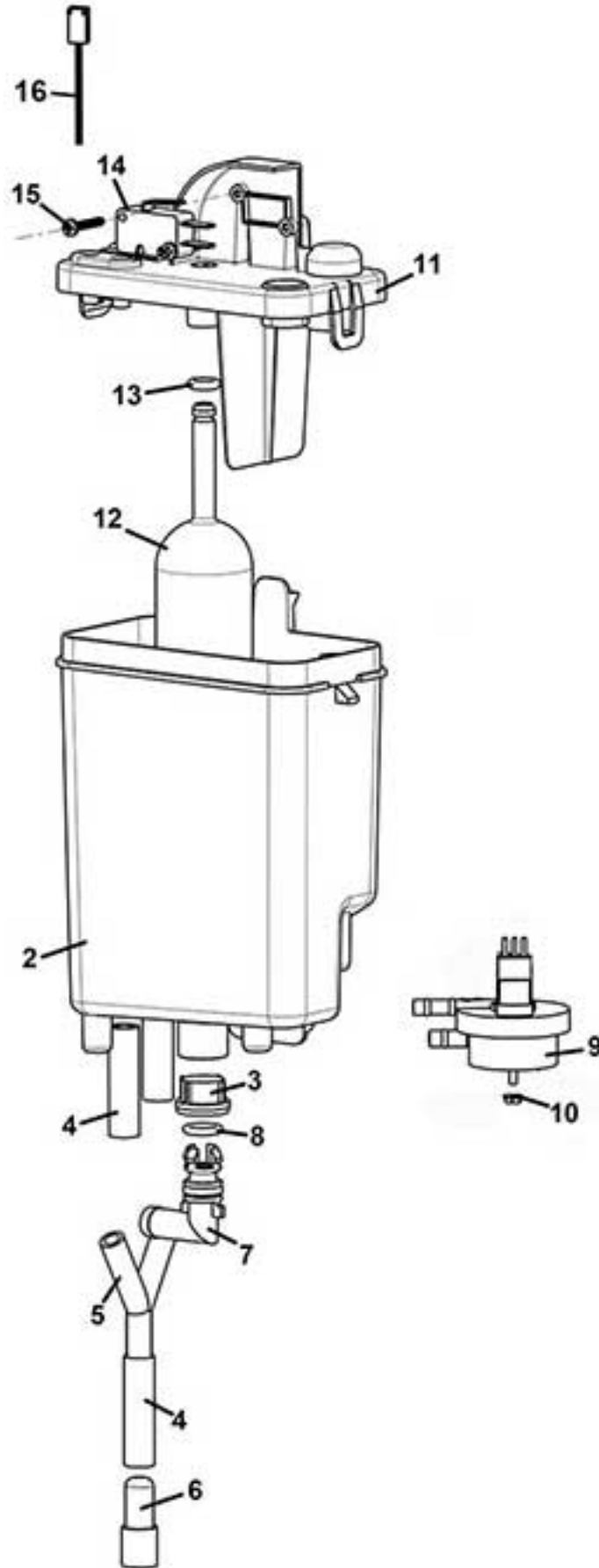
GRINDER		
Pos.	Code	Description
1	Z0320001639NAR	§ MOTOR SUPPORT BLACK+PLUG
2	Z0320001602NAR	GRINDER BLADES SUPPORT
3	VIT0009325	BEARING
4	Z0320001608R	§ WHEEL+SHAFT+MAGNETS
5	Z0320001629	CUP SPRING 16x8,2 SP. 0,4
6	Z0320001625	BUSH
7	Z0320001704	GRINDER ROTATION PIN REINFORCE
8	Z0320001636	EJECTOR
9	VIT0000121	SCREW COUNT FLAT HEAD M3X8
10	Z0320001680	CONIC BLADES PLUS
11	Z0320001642	LOWER GRINDER FIXING NUT
12	Z0320001643	SPRING D.4X15X0,6
13	Z0320001624	REGULATION PIN
14	Z0320001605NAR	§ REGULATION RING NUT BLACK
15	Z0320001635-03NA	GRINDER SUPPORT BLACK
16	GUA0000124	SILICONE OR 2137
17	Z0320001622	UPPER GRINDER FIXING
18	VIT0002469	SCREW HEAD TAP M3.5X10
19	Z0320001666	SPACER D.4x7x2
20	VIT0003103	SPRING WASHER 4,3
21	Z0320001607NA	DUCT BLACK
22	VIT0002010	SCREW ST HEAD CAP M3.5X9.5
23	Z0320001604NA	PLUG BLACK
24	Z0090003047	GRINDER MOTOR 230V DC
25	VIT0000013	SCREW HEAD TAP CAP M4X12
26	VIT0003103	SPRING WASHER 4,3
27	Z0320004736-04	GRINDER CHUTE R.2011
28	Z0320001615NA	GRINDER SENSOR COVER BLACK
29	Z0320001628	NO-VIBRATION BUSH
30	VIT0000012	SCREW HEAD TAP CAP M4X10
100	Z0320001601CL3AL	§GRINDER VRFX 15° BREWER PLUS From pos.1 to pos. 28

VARIGRIND



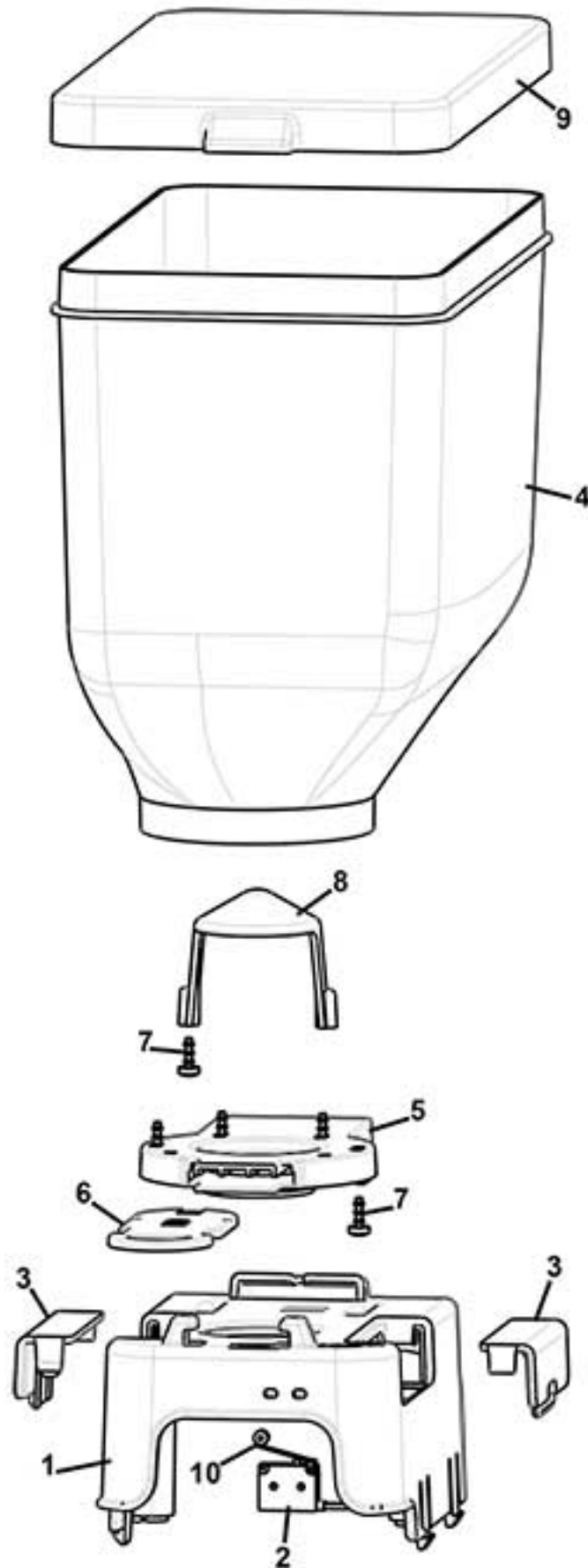
VARIGRIND		
Pos.	Code	Description
1	Z0320001639NAR	§ MOTOR SUPPORT BLACK+PLUG
2	Z0320001602NAR	GRINDER BLADES SUPPORT
3	VIT0009325	BEARING
4	Z0320001608R	§ WHEEL+SHAFT+MAGNETS
5	Z0320001629	CUP SPRING 16x8,2 SP. 0,4
6	Z0320001625	BUSH
7	Z0320001704	GRINDER ROTATION PIN REINFORCE
8	Z0320001636	EJECTOR
9	VIT0000121	SCREW COUNT FLAT HEAD M3X8
10	Z0320001680	CONIC BLADES PLUS
11	Z0320001642	LOWER GRINDER FIXING NUT
14	Z0320001663NA	GRINDER REGULATION RING BLACK
15	Z0320001635-03NA	GRINDER SUPPORT BLACK
16	GUA0000124	SILICONE OR 2137
17	Z0320001622	UPPER GRINDER FIXING
18	VIT0002469	SCREW HEAD TAP M3.5X10
19	Z0320001666	SPACER D.4x7x2
20	VIT0003103	SPRING WASHER 4,3
21	Z0320001607NA	DUCT BLACK
22	VIT0002469	SCREW HEAD TAP M3.5X10
23	Z0320001604NA	PLUG BLACK
24	Z0090003047	GRINDER MOTOR 230V DC
25	VIT0000013	SCREW HEAD TAP CAP M4X12
26	VIT0003103	SPRING WASHER 4,3
27	Z0320004736-04	GRINDER CHUTE R.2011
28	Z0320001615NA	GRINDER SENSOR COVER BLACK
29	Z0320001628	NO-VIBRATION BUSH
30	VIT0000012	SCREW HEAD TAP CAP M4X10
31	Z0320001672	GRINDER GEARBOX MOTOR SUPPORT
32	Z0090002042R	§ GEAR MOTOR 2,2RPM24VDC+FILT
33	SCH0003740	MOTOR FILTER
34	VIT0005519	SCREW TCEI 4x12 STAIL STEEL
35	VIT0003103	SPRING WASHER 4,3
36	VIT0003301	WASHER 4,3X12X1,5
37	VIT0004803	NUT M4
38	Z0320001654	GRINDER PULLEY
39	VIT0007011	SET SCREW 4X4
40	Z0320001670	PULLEY POTENTIOMETER from serial 20204430247
41	Z0320001657	GRINDER BELT
42	CBLXS00317	VARIGRINDER WIRING from serial 20204430247
100	Z0320001671CL3	§VARIGRINDER VARIFLEX 15° From pos.1 to pos. 42 excluded pos.29+30
101	Z0320001670R	§PULLEY POTENTIOMETER+WIRING pos.40+42 Up to serial 20204631820

water inlet panel

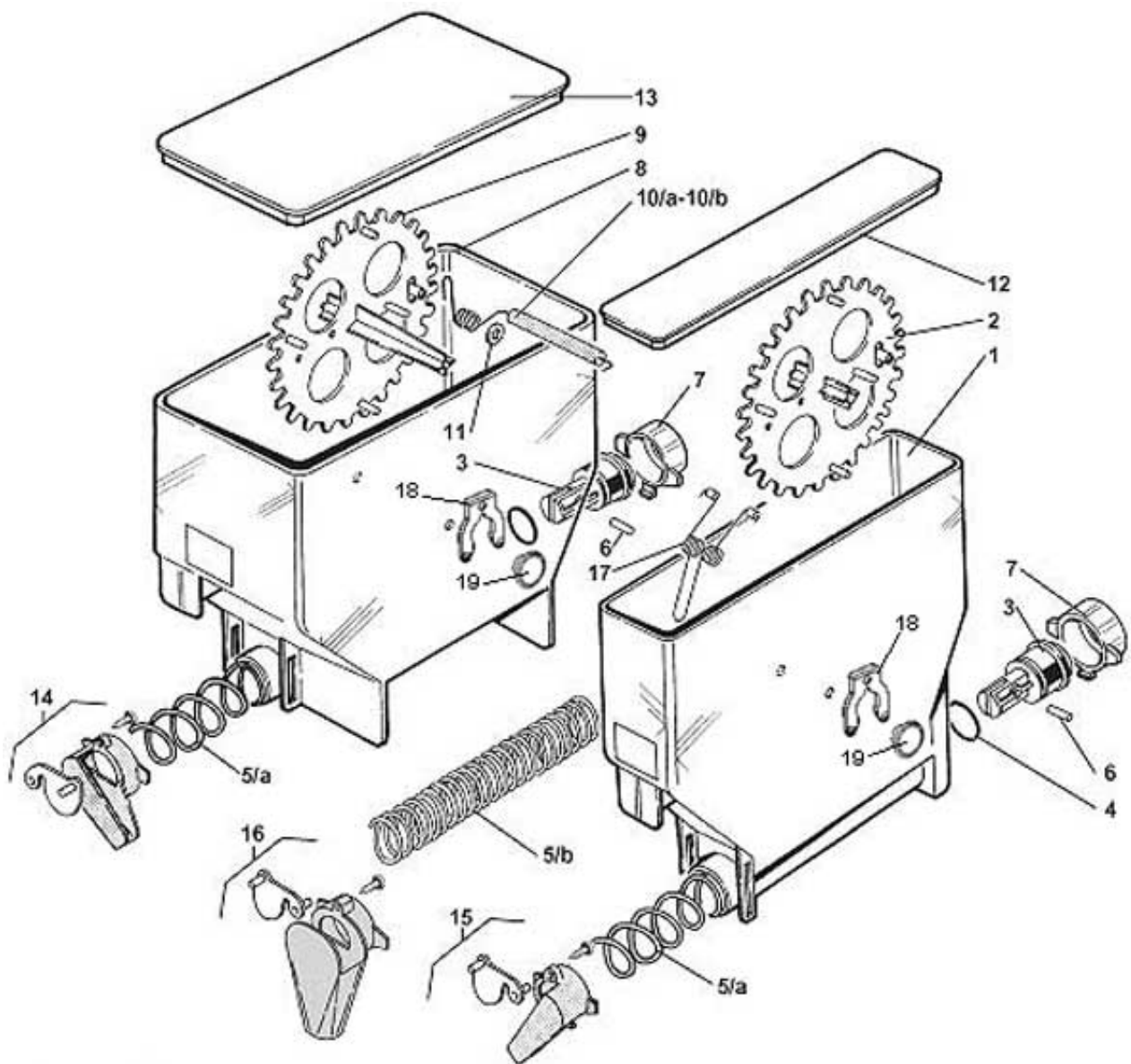


water inlet panel		
Pos.	Code	Description
2	Z0800013041	AIR BREAK TANK
3	Z0110020007	PLASTIC FILTER DIAM. 20
4/a	TSIL07/11T-10	SILICON HOSE 7X11 MT.10
4/b	TSIL07/11T-50	SILICON HOSE 7X11 MT.50
5	Z0100001065	CONNECTOR "Y"
6	650001057	DRAINER PLUG
7	Z0800009211	ELBOW CONNECTOR
8	GUA0000043	OR 109 NBR AL 75 BLACK
9	Z0110007003	VOLUMETRIC COUNTER
10	VIT0004701	NUT M3
11	Z0800013043	AIR BREAK COVER
12	Z0800013046	AIR BREAK WASTE FLOAT
13	GUA0000082	SILICON GASKET D.6
14	ELE0001514	MICROSWITCH 3A 125-250VA
15	VIT0002013	SCREW ST HEAD CAP M2.9X19
16	ELE0000985	PROBE 135xD.4

coffee beans container



coffee beans container		
Pos.	Code	Description
1/a	Z0230015738-03	GRINDER COVER
1/b	Z0230015743NA	GRINDER COVER VARIGRIND
2/a	ELE0001522CL	§ MICROSWITCH + LEVER + FASTON
2/b	ELE0001535CLR	§MICROSWITCH GRINDER SAFETY
3	Z0230015229-02	REGULATION COVER
3	Z0230015229-02	REGULATION COVER
4	Z0230015171	COFFEE BEANS HOPPER
5	Z0230015231-02	COFFEE BEANS HOPPER ADAPTOR
6	Z0230015224IC	COFFEE BEANS HOPPER STOPPER
7	VIT0002114	SCREW COUNT FLAT HEAD M3.5X16
8	Z0230015227TR	GRINDER COVER
9	Z0230015172	COFFEE BEANS HOPPER LID
10	ELE0001911	MICROSWITCH LEVER
100	Z0230015170CL1	§ COFFEE BEANS HOPPER From pos.4 to pos.9



products container		
Pos.	Code	Description
1	Z0230030233	INGREDIENT CANISTER 54 190
2	Z0230030236AB	§ WHEEL MM54
3	Z0230030012	SPIRAL PIN
4	GUA0000083	OR 123 RED SILICONE A70
5/a	Z0230030014	SPIRAL 18
5/b	Z0230030013	SPIRAL 9
6	VIT0005106	PIN 2X14
7	Z0230030011	REAR BUSH
8	Z0230030234	§ CANISTER 110-265 W/PIN
9	Z0230030237AB	§ WHEEL MM110
10/a	Z0230030064	AGITATOR 112 - RIGHT OUTLET
10/b	Z0230030062	AGITATOR 112 - LEFT OUTLET
11	VIT0003210	WASHER 8,4X16X1,6
12	Z0230030006	CANISTER 55 LID
13	Z0230030009	CANISTER 112 LID
14/a	Z0230030198R	§ INGRED. CHUTE-RIGHT ORANGE
14/b	Z0230030187R	§ INGREDIENT CHUTE-RIGHT RED
15/a	Z0230030197R	§ INGREDIENT CHUTE-LEFT ORANGE
15/b	Z0230030186R	§ INGREDIENT CHUTE-LEFT RED
16/a	Z0230030199R	§ INGRED. CHUTE-FRONTALORANGE
16/b	Z0230030188R	§ INGREDIENT CHUTE-FRONTAL RED
17	Z0230030060-05	MIXER
18	Z0230030239	WHEEL PIN FORK
19	Z0230030238-02	WHEEL PIN
100	Z0230030013CL	§ SPIRAL 9
101	Z0230030014CL	§ SPIRAL 18
102	Z0230030250R	§ CANIS. 54-265 WHEEL18 W/LID
103	Z0230030251R	§ CANIS. 54-265 WHEEL9 W/LID
104	Z0230030254R	§ CANIS. 54-265 SPIRAL9 W/LID
105	Z0230030260R	§ CAN. 110-265 AGIT.18 W/LID-R
107	Z0230030262R	§ CAN. 110-265 AGIT.18 W/LID-L
108	Z0230030233R	§ CANISTER 54-265 Pos. 1+2+18+19

WIRINGS

WIRINGS		
Pos.	Code	Description
1	CBLXS00276	PUMP WIRING
2	CBLXM00126	VARITH BOARD POWER WIRING 230V
3	CBLXS00009	THERMOSTAT EXTENSION WIRING
4	CBLXS00246	16A SWITCHING POWER WIRING
5	CBLXS00007	GROUND WIRING
6	CBLXS00032	GROUND WIRING
7	CBLEXE0001	EXTENSION WIRING 1MT
8	CBLEXE0002	EXTENSION EXECUTIVE WIRING
9	CBLMDB0003	MDB EXTENSION WIRING (1MT)
10	CBLXM00127	FAN WIRING
11	CBLXM00101	WIRING 220
12	CBLXM00125	24V ACTUATOR WIRING
13	CBLXSC0047	WIRING 24V
14	CBLXSC0007	DOOR WIRING 24V
15	CBLXS00005	CAMS MOTOR WIRING
16	CBLXM00105	CUP DISPENSER WIRING
17	CBLXM00106	DOOR SWITCHING WIRING
18	CBLXS00317	VARIGRINDER WIRING
19	CBLXS00263	GRINDER WIRING
20	CBLXM00107	DELIVERY AREA LIGHTING WIRING
21	CBLXM00108	LOGO ENLIGHTENMENT WIRING
22	CBLXM00110	MED LABELS ENLIGHTING WIRING
23	CBLXM00111	LABELS ENLIGHTENMENT WIRING
24	CBLXM00112	DISPLAY BOARD WIRING
25	CBL4200030	DOOR WIRING 24V
26	CBLXS00311	SUPPLY DOOR 5/24V WIRING