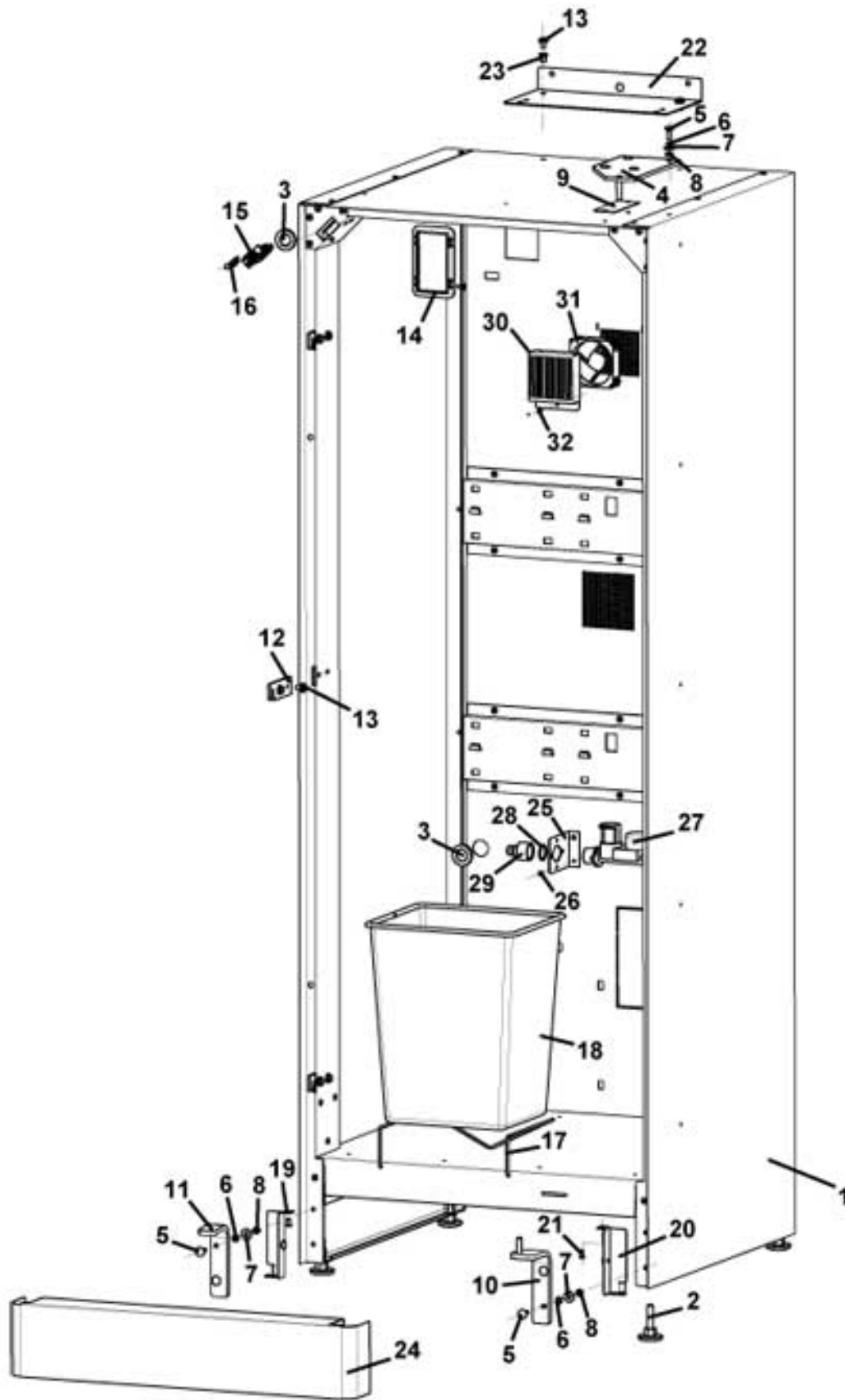


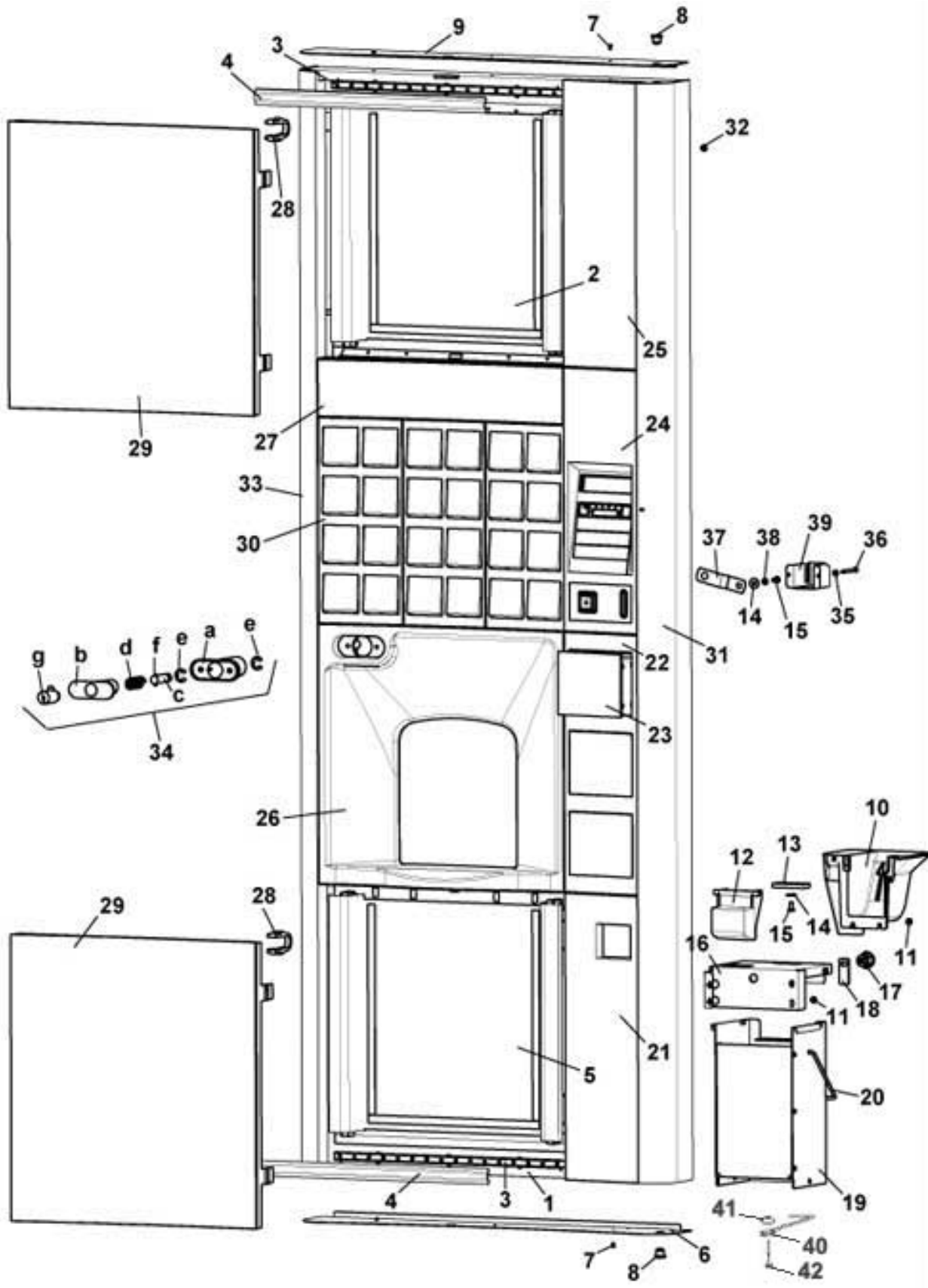
vending machine

[LUCE X2]

spare parts manual

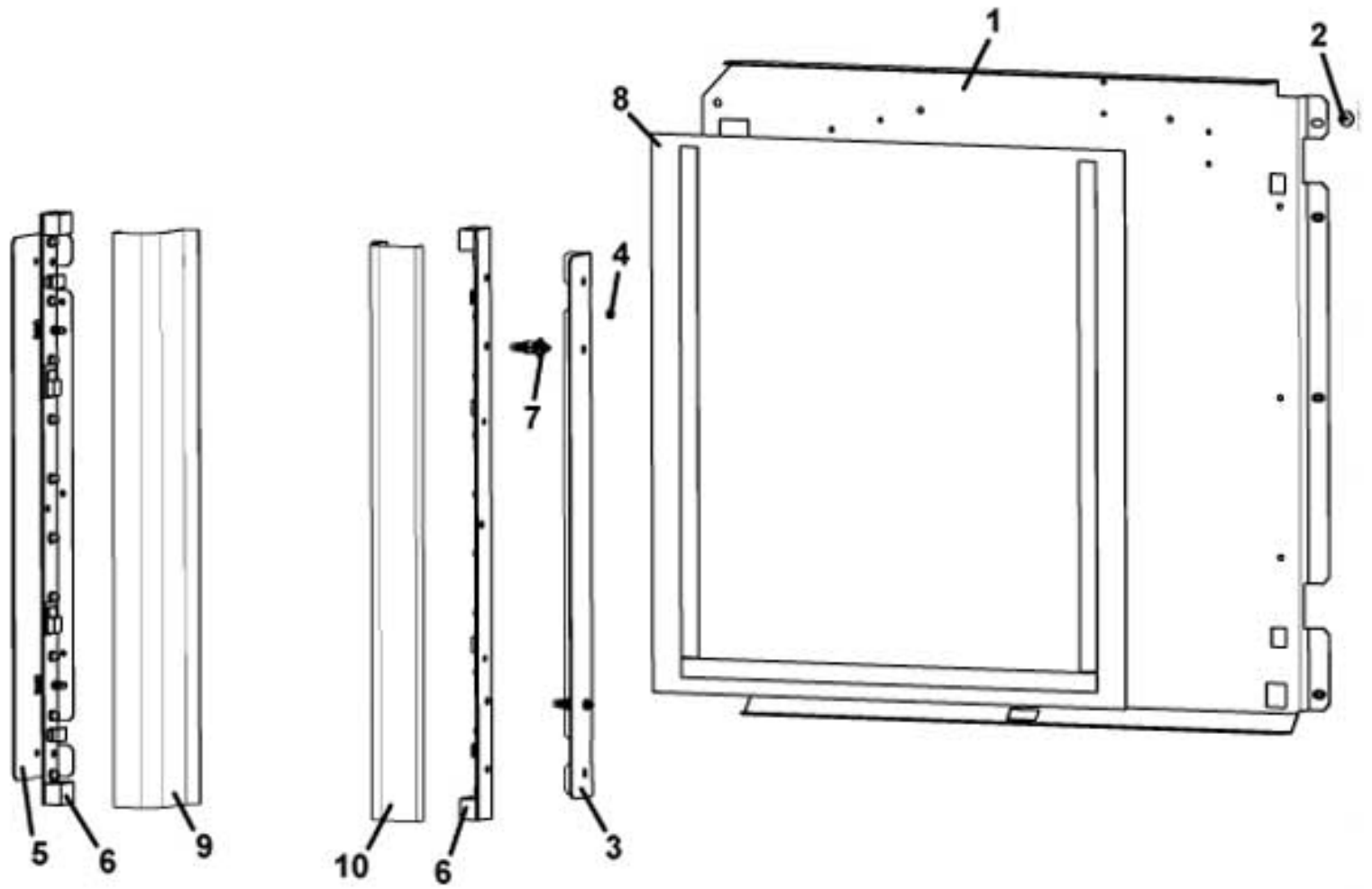


Pos.	Code	Description
1	0010030021	RIVETED COMPLETE CABINET
	0010030021DA	RIVETED COMPLETE CABINET PEARL LIGHT GREY RAL 9022
	0010030021GI	RIVETED COMPLETE CABINET PEARL BEIGE
2	0010013208	FEET
3	GUA0010502	MEMBRANE CORE HITCH Ø 21
4	0010030028	UPPER HINGE
5	VIT0005802	TTQST SCREW M 6 x 20
6	VIT0003453	6.4x12.5x1.6 FLAT WASHER
7	VIT0003303	WASHER D.6,5 x 18 x 1,5
8	VIT0004505	NUT M6
9	0010030042	THICKNESS HINGE
10	0010030029	LOWER HINGE
11	0010030031	FEET
12	0010030015	LOCK HOOK
13	VIT0000236	E.H SCREW M 6 x 11 + FR
14	0010030054	DOOR SWITCH SUPPORT
	0010030054CW	DOOR SWITCH SUPPORT B TRAFFIC GREY
15	ELE0002009	SAFETY SWITCH
16	0270011109CL	SERVICE KEY ASSEMBLY
17	0010030049	bin frame
18	CON0000201	RECTANGULAR BIN
19	0010030058	LEFT PLATE FEET PROTECTION
20	0010030034	RIGHT PLATE FEET PROTECTION
21	VIT0007035	D. 4,8 x 12,1 RIVET
22	0010018071	DISPENSER SECURING BRACKET
23	VIT0005702	M6 THREADED INSERT
24	0010030055	FEET FRONT PROTECTION
	0010030055DA	FEET FRONT PROTECTION PEARL LIGHT GREY RAL 9022
	0010030055GI	FEET FRONT PROTECTION PEARL BEIGE
	0010030055NA	FEET FRONT PROTECTION BLACK
25	0010030061	DOUBLE EV SUPPORT
26	VIT0002010	3,5x9,5 TAPPING SCREW
27/a	0110001039	24 DC INLET VALVE W/SAFETY DEV. ONLY FOR VERSION "H"
27/b	0110001109	EV.DIS.SICUR.2VIE MOD.24VDC ONLY FOR VERSION "E"
28	GUA0000021	GASKET 130
29/a	0810010556	1/4'M GAS VALVE CONNECTION ONLY FOR VERSION "H"
29/b	0010019223	3/8 GAS M WATER INLET VALVE CONNECTION ONLY FOR VERSION "E"
30	0010030043	CIRCULATE FIRE-FAN SUPPORT
31	ELE0000463	AXIAL FIRE-FAN D.80 24V DC
32	VIT0002009	SCREW T.C.B. 3,5 x 6,5

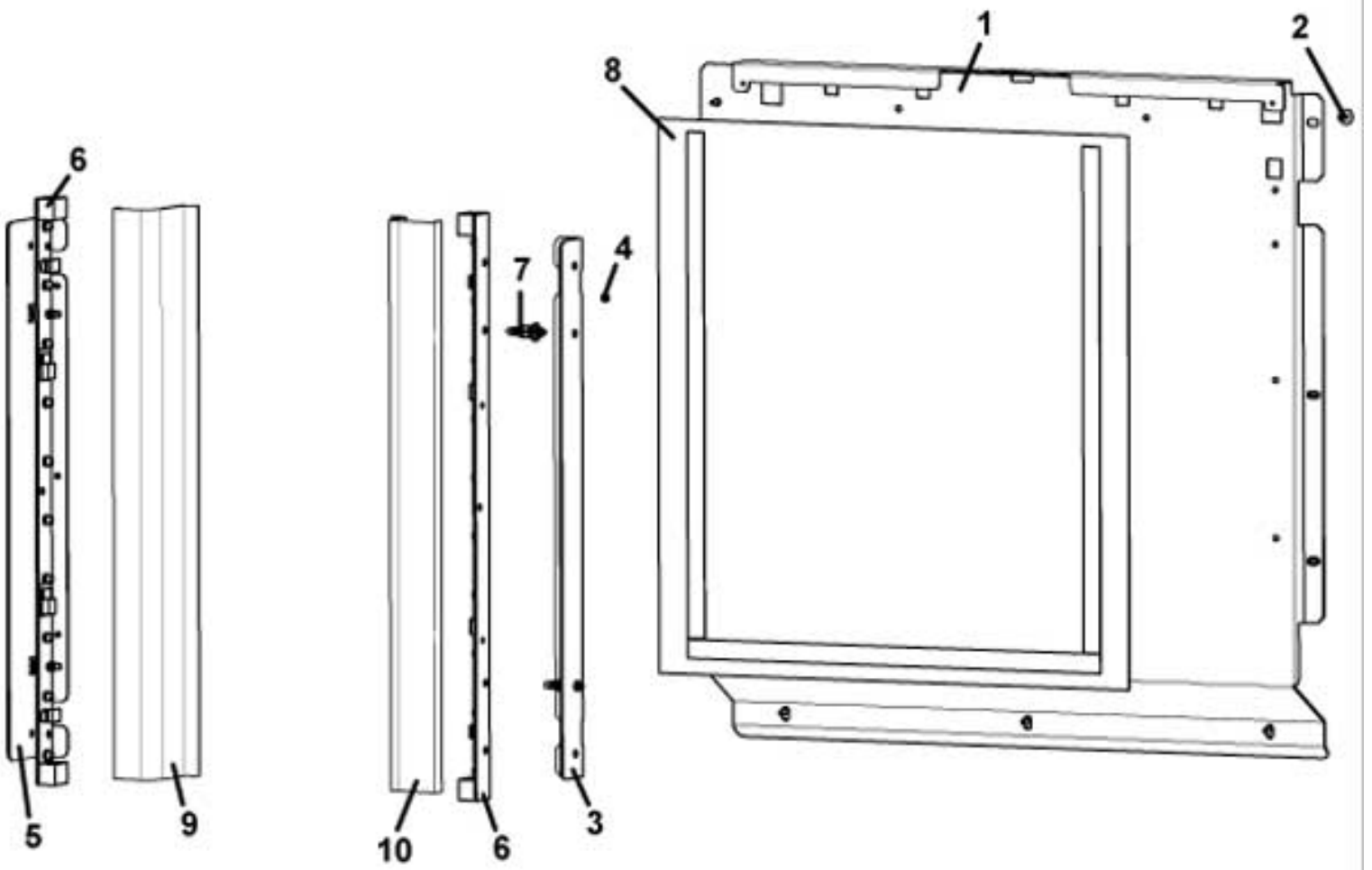


Pos.	Code	Description
1	0020042005	DOOR
2		See table UPPER LIGHTING KIT
3	0020042239	16 LED ADHESIVE STRIP
4	0020042240	UPPER LED FILTER
	0020042240ID	UPPER LED FILTER ORANGE
	0020042240PM	UPPER LED FILTER BLUE
5		See table BOTTOM LIGHTING KIT
6	0020042075	LOWER PLUG CLOSER
7	VIT0007021	3 x 6 ALUMINIUM RIVET
8	0020034156	DOOR HINGE BUSH
9	0020042081	UPPER PLUG CLOSER
10	0020042014	COIN ACCEPTANCE/RETURN CHUTE
	0020042014CY	COIN ACCEPTANCE/RETURN CHUTE TECHNIC GREY RAL 9018
11	VIT0002401	SCREW TCB 3.5 x 9.5
12	0020042056	COIN RETURN HATCH
	0020042056AE	COIN RETURN HATCH PURE WHITE RAL 9010
	0020042056DC	COIN RETURN HATCH ALUMINIUM GREY
	0020042056KA	COIN RETURN HATCH SIGNAL RED RAL 3020
	0020042056XC	COIN RETURN HATCH CHROMATE
13	0020042082	COINS RETURN HATCH COUNTER-WIGHT
14	VIT0003302	5.5x12x1.5 FLAT WASHER
15	VIT0000208	M 5x10 H.H. SCREW
16	0020042095	COIN BOX FIXING COVER
17	SER0000010	BOX 5 RAPID EXTENSION LOCK
18	SER0001000	LOCK BRACKET
19	0030006255	COIN BOX
20	0030006258	COIN BOX HOOK
21	0020042045	RETURN HATCH BAND
	0020042045CM	RETURN HATCH BAND MERCEDES GREY RAL 9006
	0020042045DA	RETURN HATCH BAND PEARL LIGHT GREY RAL 9022
	0020042045DB	RETURN HATCH BAND QUARTZ GREY RAL 7039
	0020042045DC	RETURN HATCH BAND ALUMINIUM GREY
	0020042045DD	RETURN HATCH BAND BLUE GREY
	0020042045EB	RETURN HATCH BAND GREY BROWN
	0020042045NA	RETURN HATCH BAND BLACK
22	0020042044	GLASS INSTRUCTIONS BAND
	0020042044CM	GLASS INSTRUCTIONS BAND MERCEDES GREY RAL 9006
	0020042044DA	GLASS INSTRUCTIONS BAND PEARL LIGHT GREY RAL 9022
	0020042044DB	GLASS INSTRUCTIONS BAND QUARTZ GREY RAL 7039
	0020042044DC	GLASS INSTRUCTIONS BAND ALUMINIUM GREY
	0020042044DD	GLASS INSTRUCTIONS BAND BLUE GREY
	0020042044EB	GLASS INSTRUCTIONS BAND GREY BROWN
	0020042044NA	GLASS INSTRUCTIONS BAND BLACK
23	0020042079	INSTRUCTIONS GLASS
	0020042079CJ	INSTRUCTIONS GLASS TRAFFIC GREY RAL 7042
	0020042079CM	INSTRUCTIONS GLASS MERCEDES GREY RAL 9006
24		See table DISPLAY KIT
25	0020042042	SYSTEM PAYMENT BAND
	0020042042DA	SYSTEM PAYMENT BAND PEARL LIGHT GREY RAL 9022
	0020042042DB	SYSTEM PAYMENT BAND QUARTZ GREY RAL 7039
	0020042042DC	SYSTEM PAYMENT BAND ALUMINIUM GREY
	0020042042DD	SYSTEM PAYMENT BAND BLUE GREY
	0020042042EB	SYSTEM PAYMENT BAND GREY BROWN
	0020042042NA	SYSTEM PAYMENT BAND BLACK
26		See table 1 TURRET CUPS STATION
27	0020042021	INSTRUCTIONS FRAME
	0020042021DA	INSTRUCTIONS FRAME PEARL LIGHT GREY RAL 9022
	0020042021DB	INSTRUCTIONS FRAME QUARTZ GREY RAL 7039
	0020042021DC	INSTRUCTIONS FRAME ALUMINIUM GREY
	0020042021EB	INSTRUCTIONS FRAME GREY BROWN
	0020042021NA	INSTRUCTIONS FRAME BLACK
	0020042021TR	INSTRUCTIONS FRAME TRANSPARENT
28	0020042174	GLASS PIN STOPPER
29	0020042015	PHOTO GLASS
30		See table KEYBOARD
31	0020042013	RIGHT LATERAL OUTLINE
	0020042013DA	RIGHT LATERAL OUTLINE PEARL LIGHT GREY RAL 9022
	0020042013DC	RIGHT LATERAL OUTLINE ALUMINIUM GREY
	0020042013GI	RIGHT LATERAL OUTLINE PEARL BEIGE
	0020042013NA	RIGHT LATERAL OUTLINE BLACK
	0020042013XC	RIGHT LATERAL OUTLINE CHROMATE
32	VIT0000030	SCREW TCB M4 x 7
33	0020042058	LEFT LATERAL OUTLINE
	0020042058DA	LEFT LATERAL OUTLINE PEARL LIGHT GREY RAL 9022
	0020042058DC	LEFT LATERAL OUTLINE ALUMINIUM GREY
	0020042058GI	LEFT LATERAL OUTLINE PEARL BEIGE
	0020042058NA	LEFT LATERAL OUTLINE BLACK
	0020042058XC	LEFT LATERAL OUTLINE CHROMATE
34	1150003200	LOCK ASSEMBLY
	1150003200AE	LOCK ASSEMBLY PURE WHITE RAL 9010
	1150003200CF	LOCK ASSEMBLY ANTHRACITE GRAY RAL 7016
	1150003200CG	LOCK ASSEMBLY ANTHRACITE GREY RAL 7016
	1150003200CH	LOCK ASSEMBLY LIGHT GREY RAL 7035
	1150003200CH	LOCK ASSEMBLY AGATA GREY RAL 7038
	1150003200CM	LOCK ASSEMBLY MERCEDES GREY RAL 9006
	1150003200CN	LOCK ASSEMBLY SILICIOUS GREY RAL 7032
	1150003200CT	LOCK ASSEMBLY OPAQUE MERCEDES GREY RAL 9006
	1150003200DA	LOCK ASSEMBLY PEARL LIGHT GREY RAL 9022
	1150003200DB	LOCK ASSEMBLY QUARTZ GREY RAL 7039
	1150003200DC	LOCK ASSEMBLY ALUMINIUM GREY
	1150003200DD	LOCK ASSEMBLY BLUE GREY
	1150003200DF	LOCK ASSEMBLY SULPHUR YELLOW RAL 1016
	1150003200KE	LOCK ASSEMBLY FIRE RED RAL 3000
	1150003200NA	LOCK ASSEMBLY BLACK
34/a	1150003126	LOCK SLEEVE
	1150003126AE	LOCK SLEEVE PURE WHITE RAL 9010
	1150003126CF	LOCK SLEEVE ANTHRACITE GRAY RAL 7016
	1150003126CF	LOCK SLEEVE ANTHRACITE GREY RAL 7016
	1150003126CG	LOCK SLEEVE LIGHT GREY RAL 7035
	1150003126CH	LOCK SLEEVE AGATA GREY RAL 7038
	1150003126CM	LOCK SLEEVE MERCEDES GREY RAL 9006
	1150003126CN	LOCK SLEEVE SILICIOUS GREY RAL 7032
	1150003126CT	LOCK SLEEVE OPAQUE MERCEDES GREY RAL 9006
	1150003126DA	LOCK SLEEVE PEARL LIGHT GREY RAL 9022
	1150003126DB	LOCK SLEEVE QUARTZ GREY RAL 7039
	1150003126DC	LOCK SLEEVE ALUMINIUM GREY
	1150003126DD	LOCK SLEEVE BLUE GREY
	1150003126DF	LOCK SLEEVE SULPHUR YELLOW RAL 1016
	1150003126KE	LOCK SLEEVE FIRE RED RAL 3000
	1150003126NA	LOCK SLEEVE BLACK
34/b	1150002112	LOCK BODY
	1150002112AE	LOCK BODY PURE WHITE RAL 9010
	1150002112CF	LOCK BODY ANTHRACITE GREY RAL 7016
	1150002112CG	LOCK BODY LIGHT GREY RAL 7035
	1150002112CH	LOCK BODY AGATA GREY RAL 7038
	1150002112CM	LOCK BODY MERCEDES GREY RAL 9006
	1150002112CN	LOCK BODY SILICIOUS GREY RAL 7032
	1150002112CT	LOCK BODY OPAQUE MERCEDES GREY RAL 9006
	1150002112DA	LOCK BODY PEARL LIGHT GREY RAL 9022
	1150002112DB	LOCK BODY QUARTZ GREY RAL 7039
	1150002112DC	LOCK BODY ALUMINIUM GREY
	1150002112DD	LOCK BODY BLUE GREY
	1150002112DF	LOCK BODY SULPHUR YELLOW RAL 1016
	1150002112KE	LOCK BODY FIRE RED RAL 3000
	1150002112NA	LOCK BODY BLACK
34/c	1150002111	LOCK PIN
34/d	1150002003	Spring
34/e	VIT0000508	D 10 RADIAL STOP RING
34/f	VIT00005208	3 x 28 CYLINDRICAL PIN
34/g	SER00000003	G 5 TUBULAR LOCK
35	VIT0004815	M 4 SELF LOCKING NUT
36	VIT0000125	M 4x45 TSP SCREW
37	0020042036	LOCK BRACKET
38	VIT00003104	WASHER tab D. 5.1
39	0020042280	BOX PROTECTION
40	0020034172	DOOR STOP ROD
41	VIT00004102	BENZING QUICK LOCK
42	0020034173	PIN FOR DOOR STOP ROD

Pos.	Code	Description
1	0020042005	DOOR
2	0020042055	INSTRUCTIONS FRAME SUPPORT
3	0020042106	PAYMENT SYSTEM PLATE
4	VIT0002401	SCREW TCB 3.5 x 9.5
5	0020042149	PAYMENT SYSTEM PLATE
6	0020042063	COIN BOX SUPPORT
7	4060010126	PLASTIC COIN DRAWER BOX
8	0020042035	LOCK PIN
9	0020029923	LOCK PIN SECURING SCREW
10	2100002007	CUPS LOADER SPRING
11	0020042103	CPU BOARD SUPPORT
12	SCH0007901	CPU BOARD 2009 TS
13	ELE0062008	PIN BOARD SUPPORT
14	0020042083	INTRODUCTION COIN GUIDE
15	0020042051	COIN INTRODUCTION CHUTE
	0020042051CY	COIN INTRODUCTION CHUTE TECHNIC GREY RAL 9018
16	0020042052	COIN RETURN LOWER BRACKET
17	0020042057	COIN RETURN UPPER BRACKET
18	0020042064	COINS RETURN HATCH BUTTON COUNTERPART
19	0020034173	PIN FOR DOOR STOP ROD
20	0020042062	COINS RETURN HATCH BUTTON
	0020042062DA	COINS RETURN HATCH BUTTON PEARL LIGHT GREY RAL 9022
	0020042062KA	COINS RETURN HATCH BUTTON SIGNAL RED RAL 3020
	0020042062XC	COINS RETURN HATCH BUTTON CHROMATE
21	0020034023	COIN RETURN PIN
22	4050010074	COIN RETURN BUTTON SPRING
23	0020042122	5C COIN BOX RETURN PROTECTION
24	ELE0000103	MAGNETIC CLICK-LOCK
25/a	0020042097	5C COIN BOX PROTECTION
25/b	0020042101	4C COIN BOX PROTECTION
26	0020034823	HANDLE
27	0020042172	CLEANING KEYBOARD FRONTAL
	0020042172AH	CLEANING KEYBOARD FRONTAL RAL 9003 SIGNAL WHITE
28	SCH0007180	SERVICE KEYBOARD W/9 BUTTONS AND IRDA
29	VIT0002469	SCREW TC 3.5 x 10
30	0020042171	TRANSPARENT PROGRAMMABLE KEYBOARD COVER
31	0020042164	PROGRAMMABLE LABEL
32	0020042165	CLEANING LABEL
33	SCH0006840	KEYBOARDS ESPANCTION
34	0020042173	KEYBOARDS ESPANCTION PROTECTION
	0020042173NA	KEYBOARDS ESPANCTION PROTECTION BLACK
35/a		See table 1 TURRET DB SUPPORT
35/b		See table 2 TURRETS DB SUPPORT
36	VIT0000236	E.H SCREW M 6 x 11 + FR
37	0020042105	PAYMENT SYSTEM SUPPORT PROTECTION
38	0020042031	4C COIN BOX RETURN PROTECTION
39	0020042124	UPPER HINGE TURRET SUPPORT
40/a	0020042188	5C UPPER HINGE TURRET
40/b	0020042126	4C UPPER HINGE TURRET
41	0020038167	UPPER HINGE TURRET SPACER
42	0020034173	PIN FOR DOOR STOP ROD
43	VIT0007005	1.5x40 PIN
44	0020042162	DOOR SWITCH CONTRAST

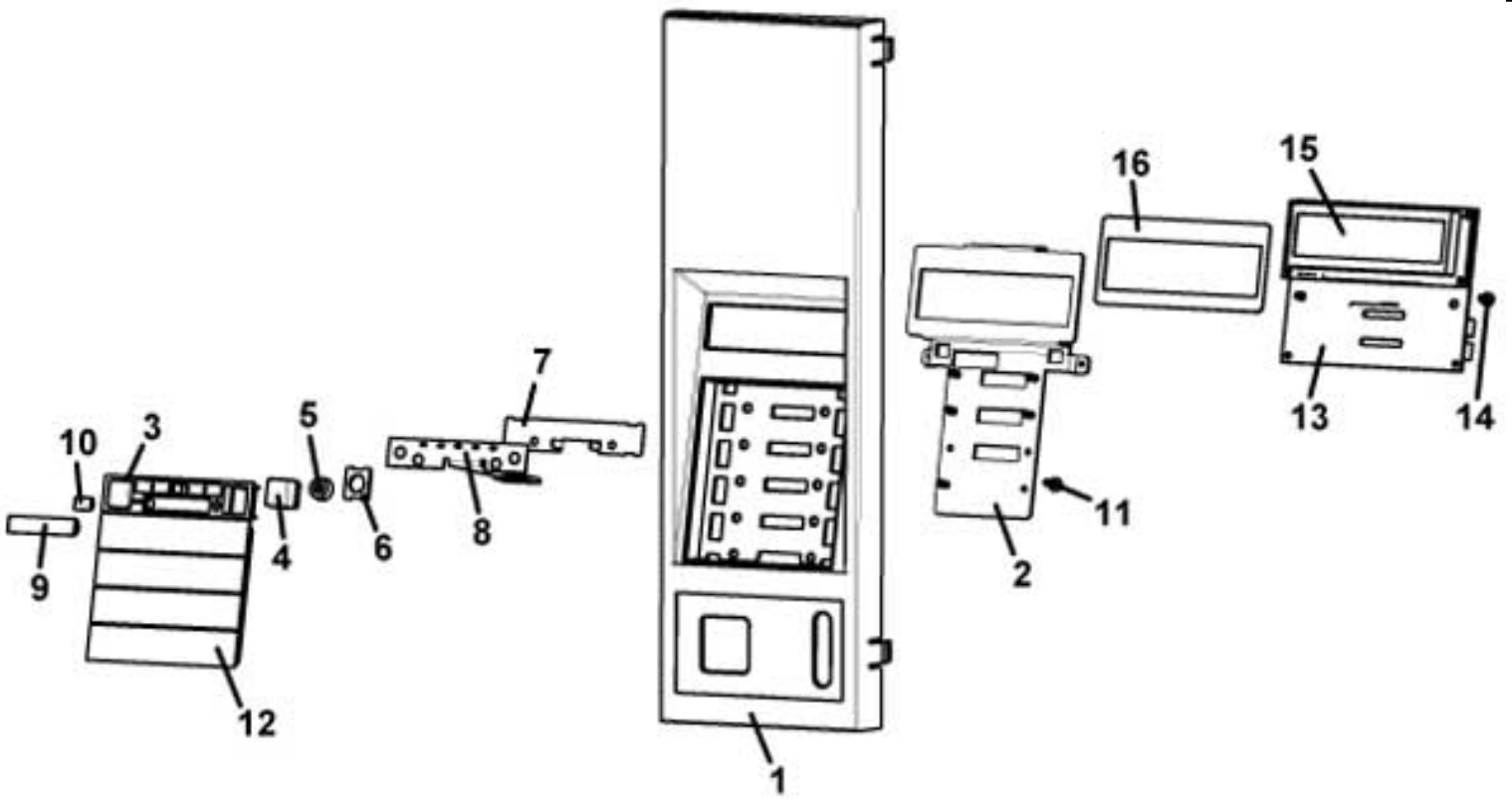


Pos.	Code	Description
1	0020042016	UPPER PHOTO STOPPER PLATE
2	VIT0002401	SCREW TCB 3.5 x 9.5
3	0020042189	LEFT SUPPORT LED BOARD
4	VIT0007020	3 x 7 ALUMINIUM RIVET
5	0020042192	RIGHT SUPPORT LED BOARD
6	SCH0007580	10 LED BOARD
7	ELE0062003	BOARD SUPPORT
8	0020042245	REFRACTIVE
9	0020042241	PHOTO LED LEFT FILTER
	0020042241ID	PHOTO LED LEFT FILTER ORANGE
	0020042241PM	PHOTO LED LEFT FILTER BLUE
10	0020042242	PHOTO LED RIGHT FILTER
	0020042242ID	PHOTO LED RIGHT FILTER ORANGE
	0020042242PM	PHOTO LED RIGHT FILTER BLUE

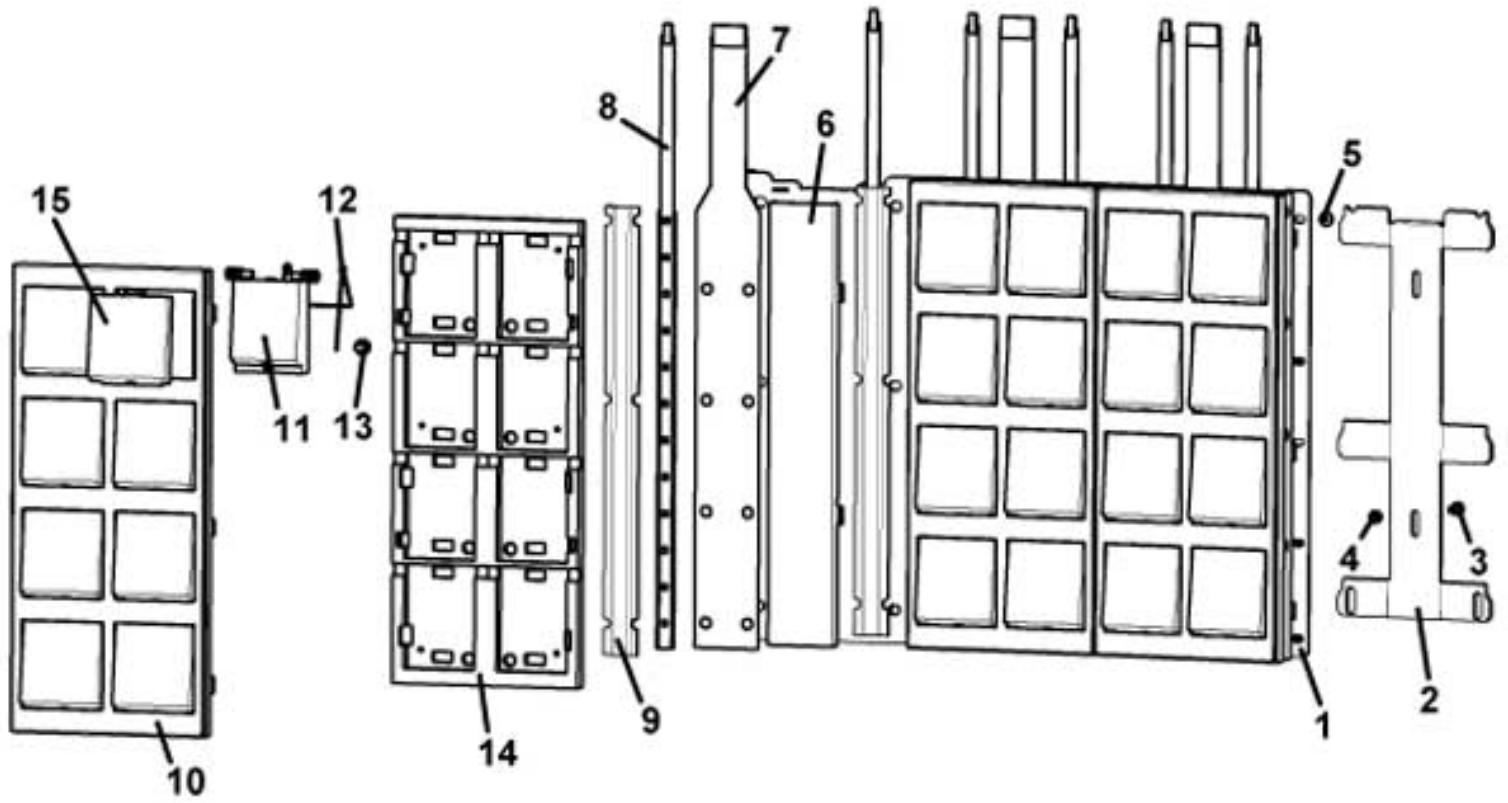


LUCE X2 - BOTTOM LIGHTING KIT

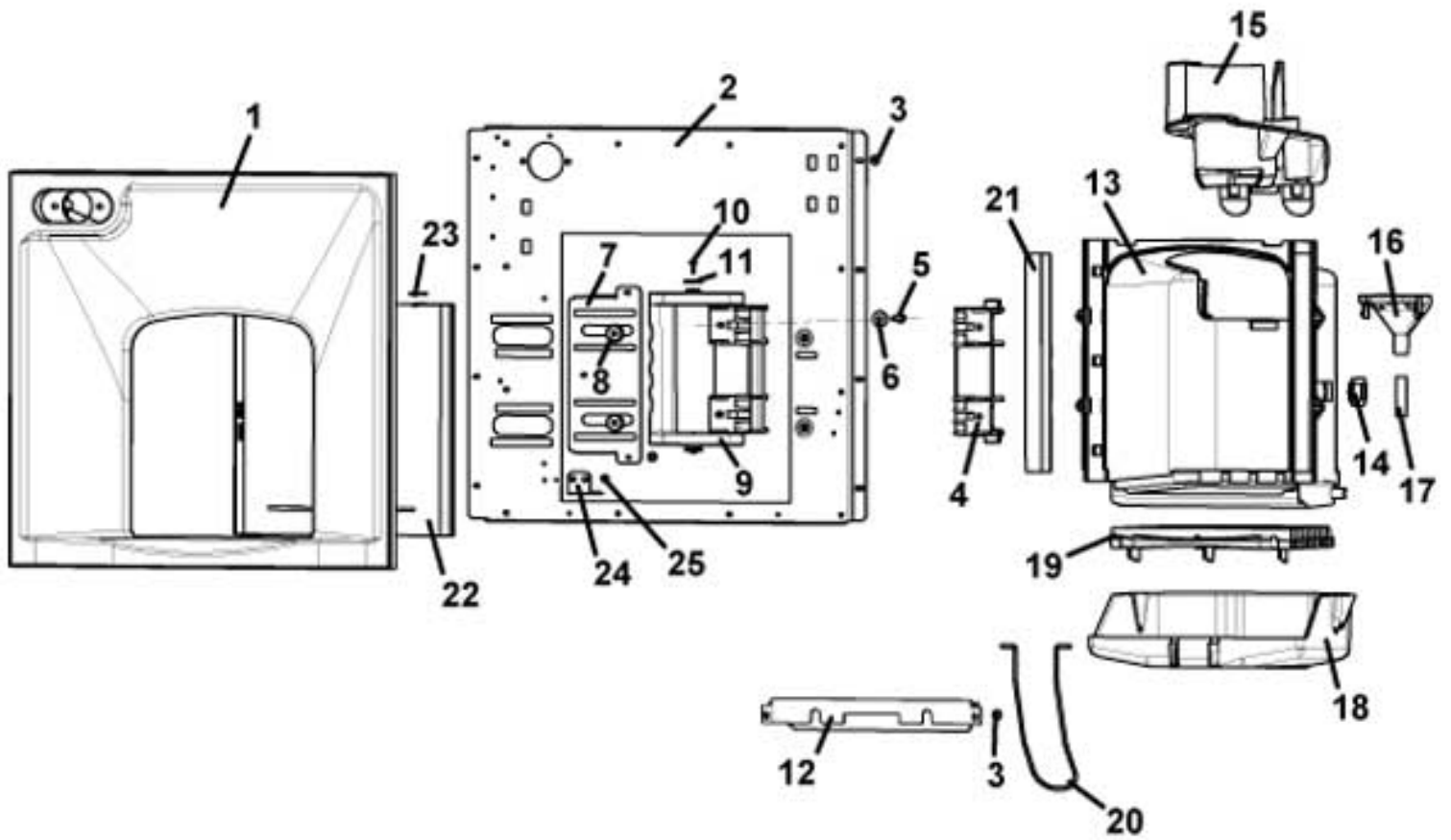
Pos.	Code	Description
1	0020042148	LOWER PHOTO STOPPER PLATE
2	VIT0002401	SCREW TCB 3.5 x 9.5
3	0020042189	LEFT SUPPORT LED BOARD
4	VIT0007020	3 x 7 ALUMINIUM RIVET
5	0020042192	RIGHT SUPPORT LED BOARD
6	SCH0007580	10 LED BOARD
7	ELE0062003	BOARD SUPPORT
8	0020042245	REFRACTIVE
9	0020042241	PHOTO LED LEFT FILTER
	0020042241ID	PHOTO LED LEFT FILTER ORANGE
	0020042241PM	PHOTO LED LEFT FILTER BLUE
10	0020042242	PHOTO LED RIGHT FILTER
	0020042242ID	PHOTO LED RIGHT FILTER ORANGE
	0020042242PM	PHOTO LED RIGHT FILTER BLUE



Pos.	Code	Description
1	0020042043	DISPLAY BAND
	0020042043DA	DISPLAY BAND PEARL LIGHT GREY RAL 9022
	0020042043DB	DISPLAY BAND QUARTZ GREY RAL 7039
	0020042043DC	DISPLAY BAND ALUMINIUM GREY
	0020042043DD	DISPLAY BAND BLUE GREY
	0020042043EB	DISPLAY BAND GREY BROWN
	0020042043NA	DISPLAY BAND BLACK
2	0020042087	SUGAR/DISPLAY BUTTONS SUPPORT
3	0020042143	SUGRA REGULATION MODULE
	0020042143CW	SUGRA REGULATION MODULE B TRAFFIC GREY
	0020042143DA	SUGRA REGULATION MODULE PEARL LIGHT GREY RAL 9022
	0020042143DC	SUGRA REGULATION MODULE ALUMINIUM GREY
	0020042143NA	SUGRA REGULATION MODULE BLACK
4	0020042081	SUGAR REGULATION BUTTON
	0020042081DA	SUGAR REGULATION BUTTON PEARL LIGHT GREY RAL 9022
	0020042081DC	SUGAR REGULATION BUTTON ALUMINIUM GREY
	0020042081KA	SUGAR REGULATION BUTTON SIGNAL RED RAL 3020
5	0020034311	FEELER SPRING
6	0020042153	SPACER
7	0020042155	KEYBOARD SUPPORT
8	0020042154	2 BUTTONS KEYBOARD
9	0020042146	TRANSPARENT SUGAR REGULATION GLASS MODULE
10	0020042144	TRANSPARENT LED GLASS
11	VIT0002469	SCREW TC 3.5 x 10
12/a	0020042158	4P DISPLAY BAND PLUG
	0020042158CW	4P DISPLAY BAND PLUG B TRAFFIC GREY
	0020042158DA	4P DISPLAY BAND PLUG PEARL LIGHT GREY RAL 9022
	0020042158DC	4P DISPLAY BAND PLUG ALUMINIUM GREY
	0020042158NA	4P DISPLAY BAND PLUG BLACK
12/b	0020042157	5P DISPLAY BAND PLUG
	0020042157CW	5P DISPLAY BAND PLUG B TRAFFIC GREY
	0020042157DA	5P DISPLAY BAND PLUG PEARL LIGHT GREY RAL 9022
	0020042157DC	5P DISPLAY BAND PLUG ALUMINIUM GREY
	0020042157DD	5P DISPLAY BAND PLUG BLUE GREY
13	SCH0007940	DISPLAY RS232
14	VIT0002008	TAPPING SCREW TCB 3.9 x 32
15	0020030271	GLASS DISPLAY
16	0020042221	DISPLAY ISOLATION
100	0020042143DAR	REGULATION SUGAR MODULE ASSEMBLY

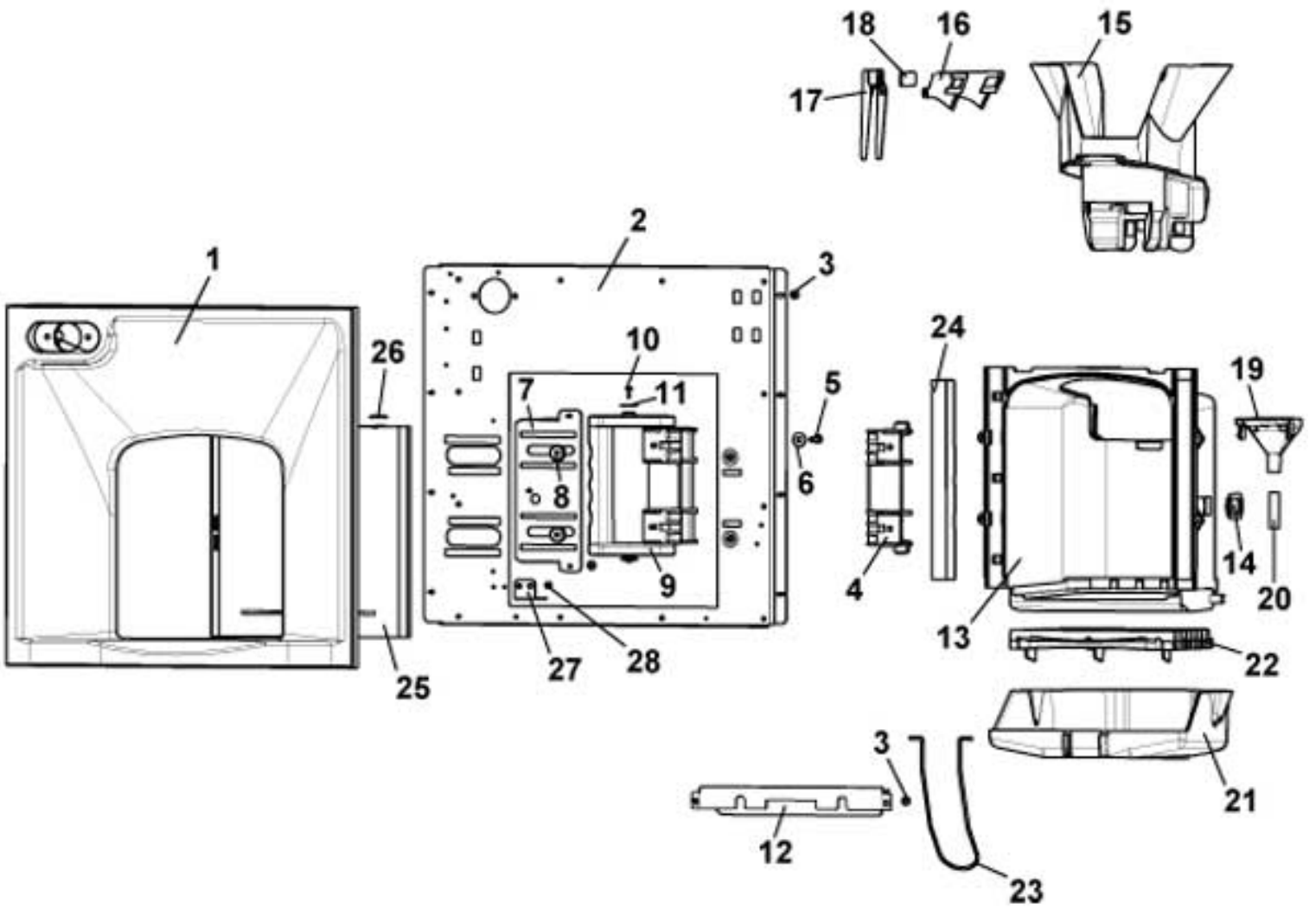


Pos.	Code	Description
1	0020042176	KEYBOARD FIXING SUPPORT
2	0020042123	FRAME RELEASE LEVER
3	4060010126	PLASTIC COIN DRAWER BOX
4	VIT0004503	NUT M 4
5	VIT0002401	SCREW TCB 3.5 x 9.5
6	0020042019	TRANSPARENT KEYBOARD SUPPORT
7	0020042024	8 BUTTONS KEYBOARD
8	0020042234	ADHESIVE 2 LED STRIP
9	0020042243	KEYBOARD LED FILTER
	0020042243ID	KEYBOARD LED FILTER ORANGE
	0020042243PM	KEYBOARD LED FILTER BLUE
10	0020042025	BUTTONS FRAME
	0020042025DA	BUTTONS FRAME PEARL LIGHT GREY RAL 9022
	0020042025DB	BUTTONS FRAME QUARTZ GREY RAL 7039
	0020042025DC	BUTTONS FRAME ALUMINIUM GREY
	0020042025EB	BUTTONS FRAME GREY BROWN
	0020042025NA	BUTTONS FRAME BLACK
11	0020042027	BUTTON
	0020042027TR	BUTTON TRANSPARENT
12	0020042012	BUTTON SPRING
13	0020042023	PLUG FOR BUTTON
14	0020042026	OPALINE BUTTONS STOPPER
15	0020042028	TRANSPARENT BUTTONS COVER



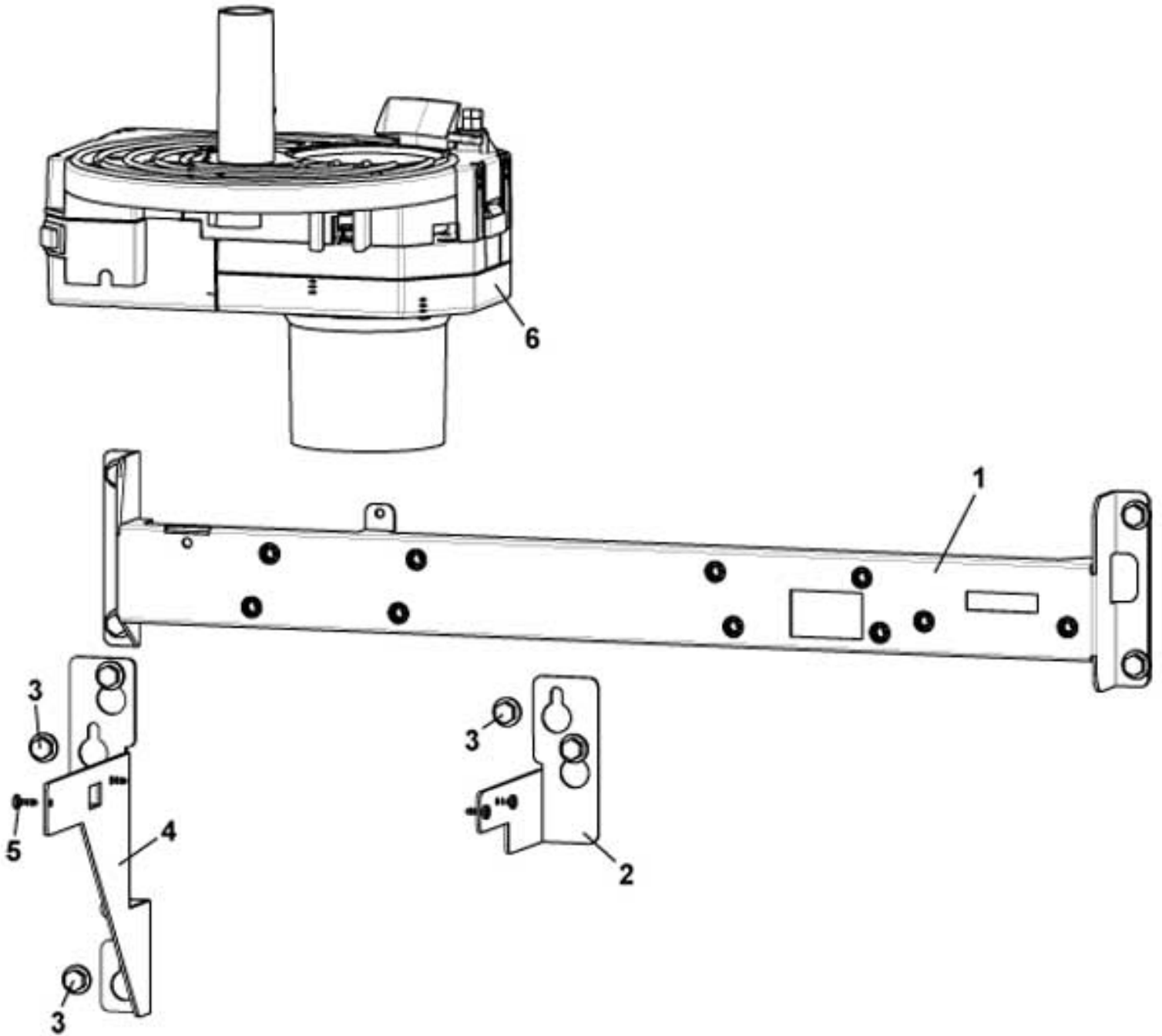
LUCE X2 - 1 TURRET CUPS STATION

Pos.	Code	Description
1	0400009013	CUPS STATION FRAME
	0400009013DA	CUPS STATION FRAME PEARL LIGHT GREY RAL 9022
	0400009013DB	CUPS STATION FRAME QUARTZ GREY RAL 7039
	0400009013DC	CUPS STATION FRAME ALUMINIUM GREY
	0400009013DD	CUPS STATION FRAME BLUE GREY
	0400009013EB	CUPS STATION FRAME GREY BROWN
	0400009013NA	CUPS STATION FRAME BLACK
2	0400009014	CUPS STATION SUPPORT
3	VIT0002401	SCREW TCB 3.5 x 9.5
4	0400009007	BAND SUPPORT
	0400009007CY	BAND SUPPORT TECHNIC GREY RAL 9018
5	VIT0000210	5x18 T.E. SCREW
6	VIT0003302	5.5x12x1.5 FLAT WASHER
7	0400009016	HANLDE SUPPORT
8	0400009009	SPACER
9	0400009008	STATION BAND HANDLE
	0400009008IC	STATION BAND HANDLE ORANGE RAL 2011
10	VIT0002469	SCREW TC 3.5 x 10
11	VIT0003303	WASHER D.6,5 x 18 x 1,5
12	0400009012	DRIP TRAP
13	0400009001	CUPS STATION BAND
	0400009001CW	CUPS STATION BAND B TRAFFIC GREY
14	0400009018	SENSOR PLUG
15	0400009003	SINGLE CUPS FEEDER
	0400009003CW	SINGLE CUPS FEEDER B TRAFFIC GREY
16	0400009015	DRIP TRAY CHUTE
	0400009015CI	DRIP TRAY CHUTE TRAFFIC GREY RAL 7042
	0400009015CW	DRIP TRAY CHUTE B TRAFFIC GREY
17	TSIL07/11T	TRANSPARENT SILICONE PIPE D.7 x 11
18	0400009011	LIQUIND FEEDER
	0400009011CW	LIQUIND FEEDER B TRAFFIC GREY
19	0400009019	CUPS STATION TRAY
	0400009019CW	CUPS STATION TRAY B TRAFFIC GREY
20	0150001105	FEEDER COUNTERPART
21	0400009004	DOOR GUIDE
	0400009004CW	DOOR GUIDE B TRAFFIC GREY
22	0400009006	DOOR
23	GUA0011017	RUBBER FEETD.7,9 H 1,5
24	0400009025	SPACER PLATE
25	VIT0002009	SCREW T.C.B. 3,5 x 6,5



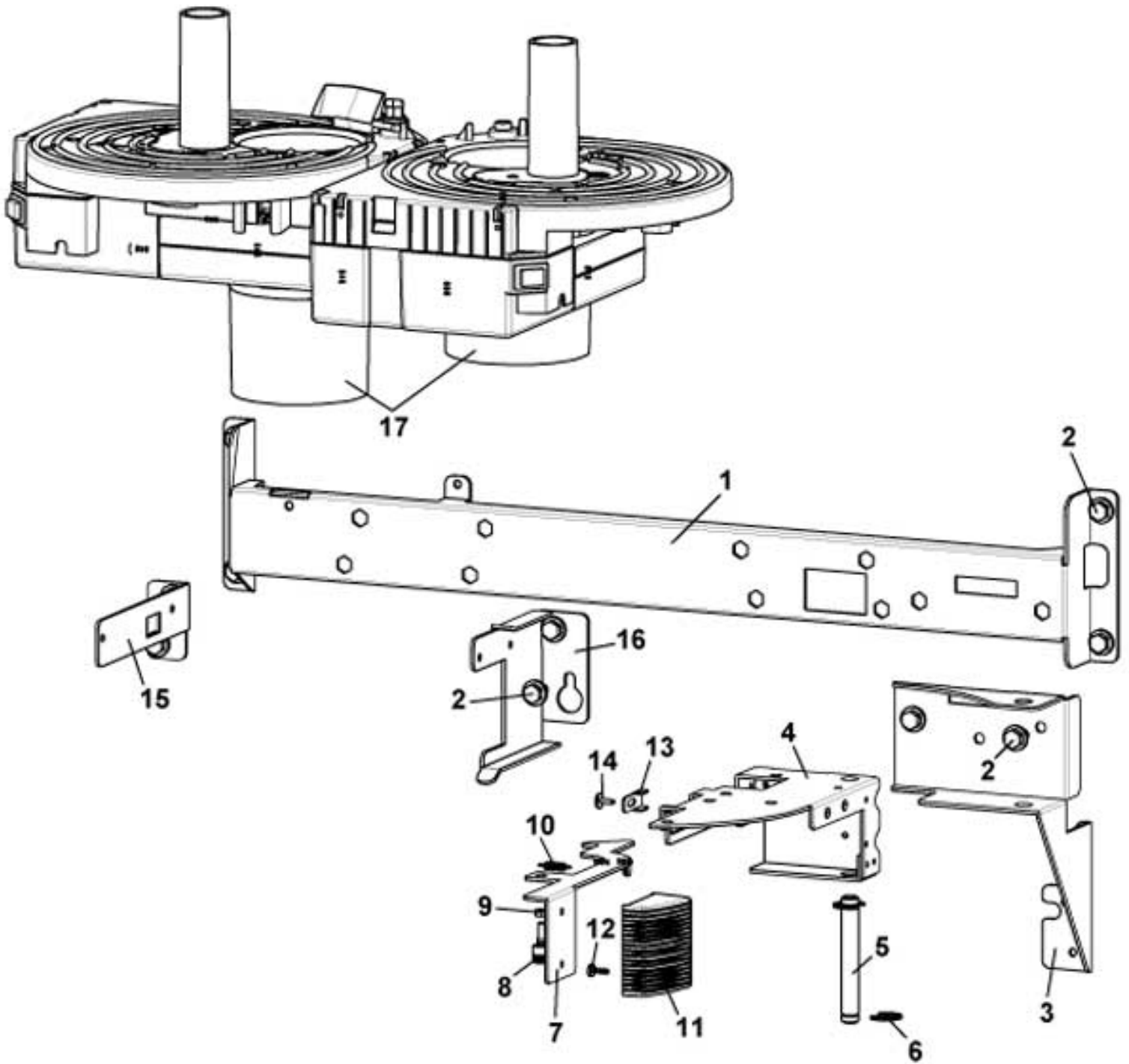
LUCÉ X2 - 2 TURRETS CUPS STATION

Pos.	Code	Description
1	0400009013	CUPS STATION FRAME
	0400009013DA	CUPS STATION FRAME PEARL LIGHT GREY RAL 9022
	0400009013DB	CUPS STATION FRAME QUARTZ GREY RAL 7039
	0400009013DC	CUPS STATION FRAME ALUMINIUM GREY
	0400009013DD	CUPS STATION FRAME BLUE GREY
	0400009013EB	CUPS STATION FRAME GREY BROWN
	0400009013NA	CUPS STATION FRAME BLACK
2	0400009014	CUPS STATION SUPPORT
3	VIT0002401	SCREW TCB 3.5 x 9.5
4	0400009007	BAND SUPPORT
	0400009007CY	BAND SUPPORT TECHNIC GREY RAL 9018
5	VIT0000210	5x18 T.E. SCREW
6	VIT0003302	5.5x12x1.5 FLAT WASHER
7	0400009016	HANLDE SUPPORT
8	0400009009	SPACER
9	0400009008	STATION BAND HANDLE
	0400009008IC	STATION BAND HANDLE ORANGE RAL 2011
10	VIT0002469	SCREW TC 3.5 x 10
11	VIT0003303	WASHER D.6.5 x 18 x 1.5
12	0400009012	DRIP TRAP
13	0400009001	CUPS STATION BAND
	0400009001CW	CUPS STATION BAND B TRAFFIC GREY
14	0400009018	SENSOR PLUG
15	0400009002	DOUBLE CUPS FEEDER
	0400009002CI	DOUBLE CUPS FEEDER TRAFFIC GREY RAL 7042
	0400009002CW	DOUBLE CUPS FEEDER B TRAFFIC GREY
16	0400009026	DOUBLE FEEDER ADAPTER
	0400009026CW	DOUBLE FEEDER ADAPTER B TRAFFIC GREY
17	0400009027	CUP STOPPER
	0400009027CW	CUP STOPPER B TRAFFIC GREY
18	0020042219	CUP STOPPER WEIGHT
19	0400009015	DRIP TRAY CHUTE
	0400009015CI	DRIP TRAY CHUTE TRAFFIC GREY RAL 7042
	0400009015CW	DRIP TRAY CHUTE B TRAFFIC GREY
20	TSIL07/11T	TRANSPARENT SILICONE PIPE D.7 x 11
21	0400009011	LIQUIND FEEDER
	0400009011CW	LIQUIND FEEDER B TRAFFIC GREY
22	0400009019	CUPS STATION TRAY
	0400009019CW	CUPS STATION TRAY B TRAFFIC GREY
23	0150001105	FEEDER COUNTERPART
24	0400009004	DOOR GUIDE
	0400009004CW	DOOR GUIDE B TRAFFIC GREY
25	0400009006	DOOR
26	GUA0011017	RUBBER FEETD.7,9 H 1,5
27	0400009025	SPACER PLATE
28	VIT0002009	SCREW T.C.B. 3,5 x 6,5



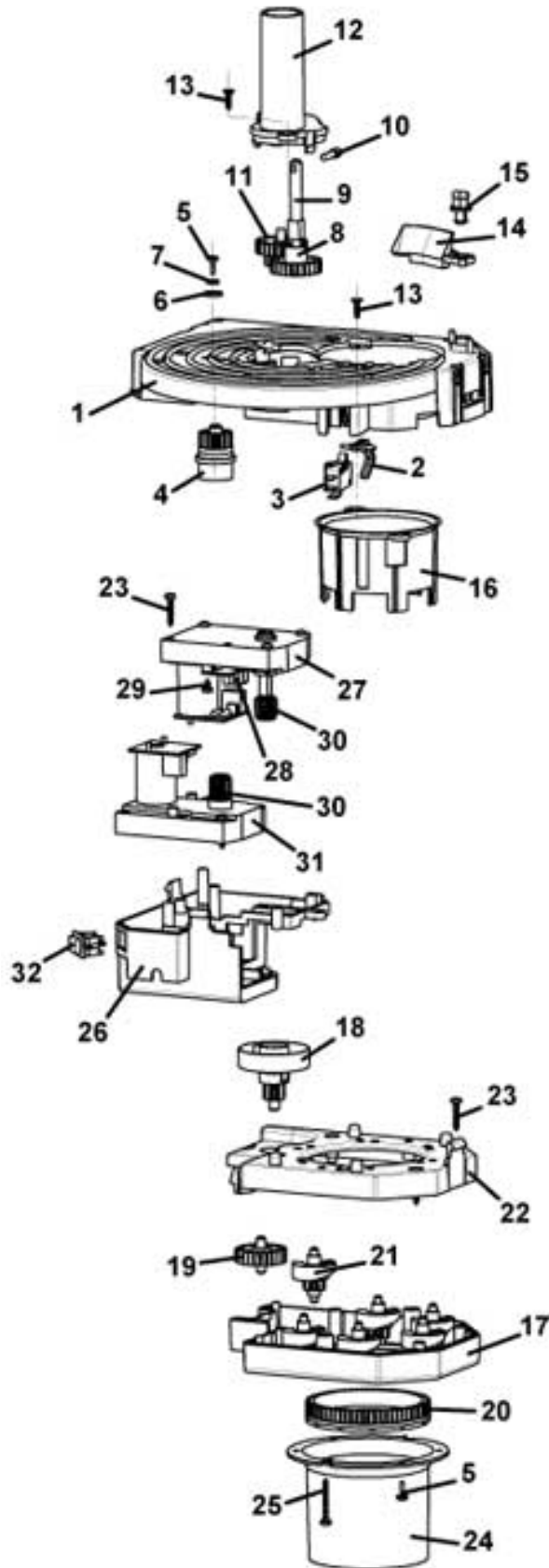
LUCE X2 - 1 TURRET DB SUPPORT

Pos.	Code	Description
1	0020042065	TURRET SUPPORT PLATE
	0020042065CK	TURRET SUPPORT PLATE DUST GREY RAL 7037
	0020042065CY	TURRET SUPPORT PLATE TECHNIC GREY RAL 9018
2	0020042116	5C RIGHT TURRET SUPPORT W/O STIRRER
3	VIT0000236	E.H SCREW M 6 x 11 + FR
4	0020042114	5C LEFT TURRET SUPPORT
5	VIT0002469	SCREW TC 3.5 x 10
6		See table CUPS LOADER

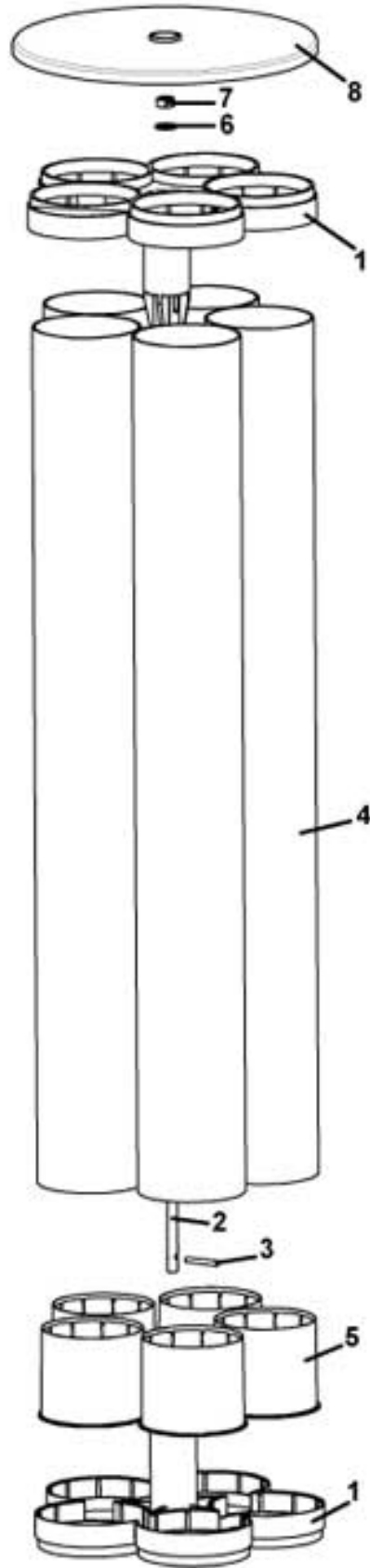


LUCE X2 - 2 TURRETS DB SUPPORT

Pos.	Code	Description
1	0020042065	TURRET SUPPORT PLATE
	0020042065CK	TURRET SUPPORT PLATE DUST GREY RAL 7037
	0020042065CY	TURRET SUPPORT PLATE TECHNIC GREY RAL 9018
2	VIT0000236	E.H SCREW M 6 x 11 + FR
3	0020042074	HINGE SUPPORT
4	0020042071	TURNING TURRET SUPPORT
5	0020042078	HINGE PIN
6	VIT0006508	D.10 RADIAL STOP RING
7	0020042077	HOOK TURRET
8	0020031343	COIN BON PIN
9	VIT0004503	NUT M 4
10	0450003010	RETURN SPRING
11	0020042168	TURNING TURRET HANDLE
	0020042168IC	TURNING TURRET HANDLE ORANGE RAL 2011
12	VIT0002469	SCREW TC 3.5 x 10
13	0020042076	REGULATION LEVER
14	VIT0002401	SCREW TCB 3.5 x 9.5
15	0020042066	LEFT SUPPORT TURRET
16	0020042067	RIGHT FIXED SUPPORT TURRET
17		See table CUPS LOADER

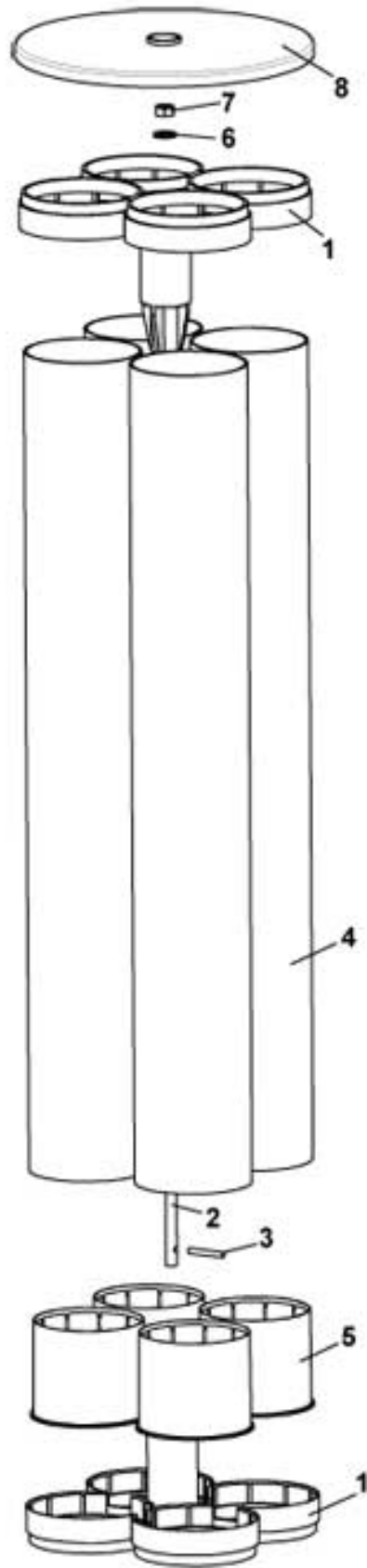


Pos.	Code	Description
1	0190006534	TURRET SUPPORT
	0190006534CY	TURRET SUPPORT TECHNIC GREY RAL 9018
2/a	0190006543	MICRO LEVER
2/b	0190006556	MICRO LEVER (80mm)
	0190006556KA	MICRO LEVER (80mm) SIGNAL RED RAL 3020
3	ELE0001530	3A 125-250VA MICRO
4	0190006546	DB MOTOR CONNECTION
5	VIT0002469	SCREW TC 3.5 x 10
6	VIT0003301	WASHER D.12 x 4.3 x 1.5
7	VIT0003103	WASHER tab D. 4.3
8	0190006503	TURRET Z26 WHEEL
9	0190006536	TURRET SHAFT
10	0190006553	ORIENTATION PIN
11	0190006544	Z16 PINION
12/a	0190006547	5C TURRET CONNECTION
	0190006547CF	5C TURRET CONNECTION ANTHRACITE GRAY RAL 7016
12/b	0190006537	TURRET CONNECTION
	0190006537CY	TURRET CONNECTION TECHNIC GREY RAL 9018
13	VIT0002101	3.9x 13 TAPPING TCB SCREW
14	0190006554	TURRET STOPPED LEVER
	0190006554CY	TURRET STOPPED LEVER TECHNIC GREY RAL 9018
15	0190006555	STOPPED PIN
	0190006555CY	STOPPED PIN TECHNIC GREY RAL 9018
16/a	0190006538	D.70 REDUCTION
	0190006538CF	D.70 REDUCTION ANTHRACITE GRAY RAL 7016
16/b	0190006539	D.73 REDUCTION
	0190006539CY	D.73 REDUCTION TECHNIC GREY RAL 9018
17	0190006521	PALLETS LOWER PLATE
	0190006521CY	PALLETS LOWER PLATE TECHNIC GREY RAL 9018
18	0190006511	DB MOTOR CONNECTION
	0190006511NA	DB MOTOR CONNECTION BLACK
19	0190006528	IDLE Z26 WHEEL
20/a	0190006523	D.70/73 RING NUT
20/b	0190006507	D.78/80 RING NUT
21/a	0190006506	PALLETS D.70/78 (PLASTIC)
	0190006506IC	PALLETS D.70/78 (PLASTIC) ORANGE RAL 2011
21/b	0190006507	PALLETS D.70/78 (PAPER)
	0190006507GJ	PALLETS D.70/78 (PAPER) ZINC YELLOW RAL 1018
21/c	0190006552	PALLETS D.73 (PLASTIC)
	0190006552CI	PALLETS D.73 (PLASTIC) TRAFFIC GREY RAL 7042
21/d	0190006502	PALLETS D.73/80 (PAPER)
22	0190006524	PALLETS UPPER PLATE
	0190006524CY	PALLETS UPPER PLATE TECHNIC GREY RAL 9018
23	VIT0002455	QUICK-THREAD SCREW 3.5 x 20
24/a	0190006514	D.70/73 CUPS FEEDER
	0190006514CY	D.70/73 CUPS FEEDER TECHNIC GREY RAL 9018
24/b	0190006515	D.78/80 CUPS FEEDER
	0190006515CY	D.78/80 CUPS FEEDER TECHNIC GREY RAL 9018
25	VIT0002468	QUICK-THREAD SCREW 3.5 x 30 CROSS
26	0190006522	MOTOR SUPPORT
	0190006522CY	MOTOR SUPPORT TECHNIC GREY RAL 9018
27	0090002114R	24V D.C. GEAR MOTOR 24 R.P.M.
28	SCH0007000	PALLETS SENSOR
29	VIT0002002	SCREW TCB 3.5x6.5
30	0190006518	Z18 SHAFT
31	0090002123R	24V DC 5.5 RPM GEAR MOTOR W/FILTER
32	ELE0002258R	RED UNIPOLAR BUTTON
100/a	0190006501CL	CUPS DISPENSER TURRET ASSEMBLY 5C D.70 PLASTIC
100/b	0190006501CL0	CUPS DISPENSER TURRET ASSEMBLY 5C D.70 PAPER
100/c	0190006501CL1	CUPS DISPENSER TURRET ASSEMBLY 5C D.73 PLASTIC
100/d	0190006501CL2	CUPS DISPENSER TURRET ASSEMBLY 5C D.73 PAPER
100/e	0190006501CL3	CUPS DISPENSER TURRET ASSEMBLY 5C D.78 PLASTIC
100/f	0190006500CL	CUPS DISPENSER TURRET ASSEMBLY 4C D.70 PLASTIC
100/g	0190006500CL0	CUPS DISPENSER TURRET ASSEMBLY 4C D.70 PAPER
100/h	0190006500CL1	CUPS DISPENSER TURRET ASSEMBLY 4C D.73 PLASTIC
100/i	0190006500CL2	CUPS DISPENSER TURRET ASSEMBLY 4C D.73 PAPER
100/l	0190006500CL3	CUPS DISPENSER TURRET ASSEMBLY 4C D.78 PLASTIC
100/m	0190006500CL5	CUPS DISPENSER TURRET ASSEMBLY 4C D.80 PAPER
101/a	0190006534CL0R	5C TURRET SUPPORT ASSEMBLY (FROM POS. 1 TO POS. 15-POS.12/A AND 2/A)
101/b	0190006534CLR	4C TURRET SUPPORT ASSEMBLY (FROM POS. 1 TO POS. 15-POS.12/B AND 2/A)
101/c	0190006534CLR	D.80 4C TURRET SUPPORT ASSEMBLY (FROM POS. 1 TO POS. 15-POS.12/B AND 2/B)
102/a	0190006521CLR	DB PALLET'S PLATE ASSEMBLY D.70 PLASTIC (FROM POS. 17 TO POS. 24-POS.20/A+21/A+24/A)
102/b	0190006521CL0R	DB PALLET'S PLATE ASSEMBLY D.70 PAPER (FROM POS. 17 TO POS. 24-POS.20/A+21/B+24/A)
102/c	0190006521CLR	DB PALLET'S PLATE ASSEMBLY D.73 PLASTIC (FROM POS. 17 TO POS. 24-POS.20/A+21/C+24/A)
102/d	0190006521CLR2R	ASSEMBLED DB PALLET'S PLATES D.73 (FROM POS. 17 TO POS. 24-POS.20/A+21/D+24/B)
102/e	0190006521CLR3R	DB PALLET'S PLATE ASSEMBLY D.78 PLASTIC (FROM POS. 17 TO POS. 24-POS.20/B+21/A+24/B)
102/f	0190006521CLR5R	DB PALLET'S PLATE ASSEMBLY D.80 PAPER (FROM POS. 17 TO POS. 24-POS.20/B+21/D+24/B)
103	0190006522CLR	ASSEMBLED TURRET DB MOTORS SUPPORT (FROM POS. 26 TO POS. 32)



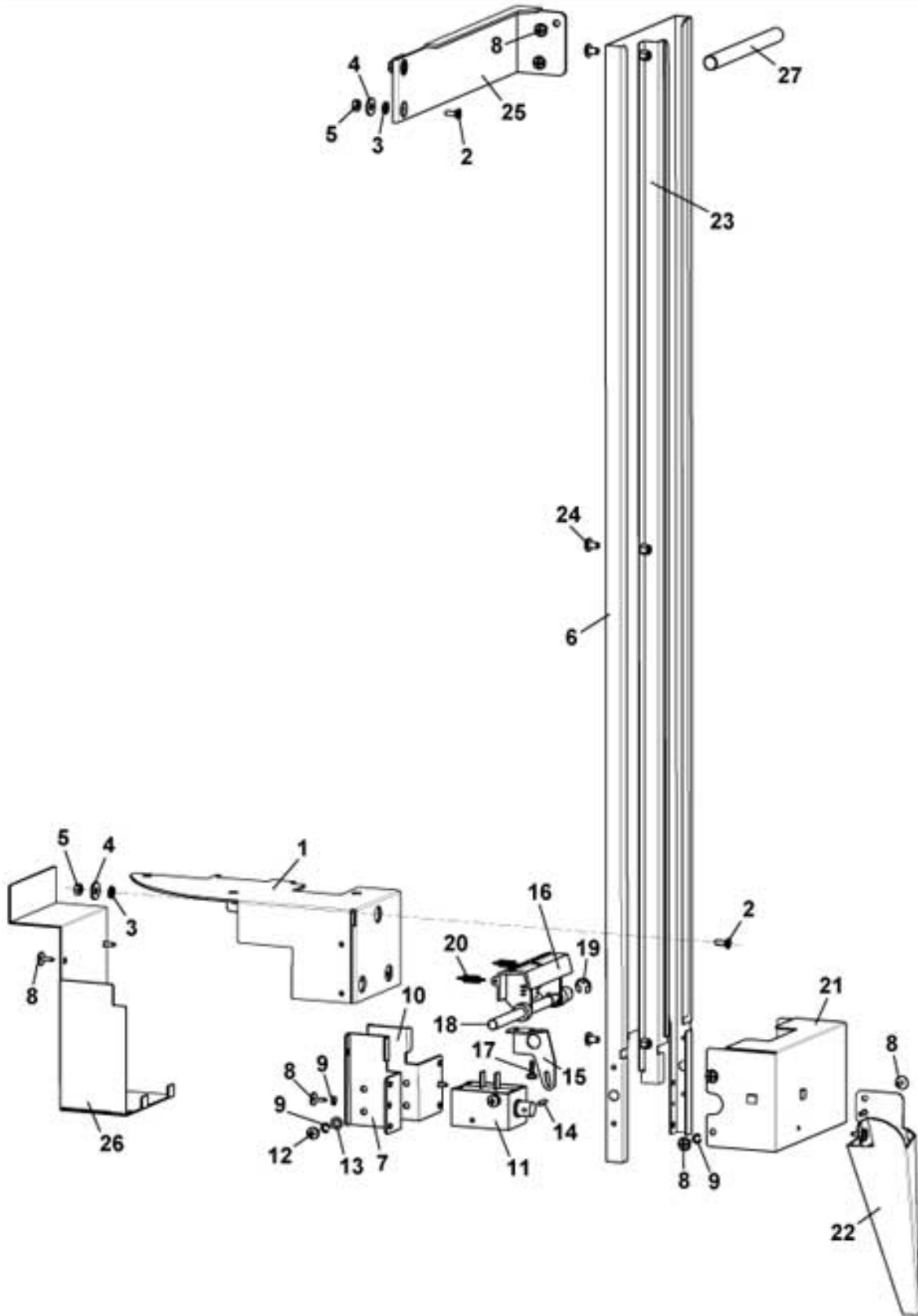
LUCE X2 - 5 COLUMNS CUPS TURRET

Pos.	Code	Description
1	0180013111	5C TUBES CONNECTION
	0180013111CY	5C TUBES CONNECTION TECHNIC GREY RAL 9018
2	0180013114	SINGLE TURRET TIE-BOLT
3	VIT0005210	4 x 28 CYLINDRICAL PIN
4	0180013109	1 TURRET PIPE D.84/81MM L680MM
5	0180013113	D.70 COLUMN REDUCTION
6	VIT0003006	8.4x17x1.6 WASHER
7	VIT0004506	M 8 NUT
8	0180013112	5C TURRET COVER
	0180013112CY	5C TURRET COVER TECHNIC GREY RAL 9018
100	0180013101CL	5C TURRET ASSEMBLY D.70/73 (FROM POS.1 TO POS. 8)
101	0180013101CL0	5C TURRET ASSEMBLY D.78 (FROM POS.1 TO POS. 8-EXCLUDED POS.5)

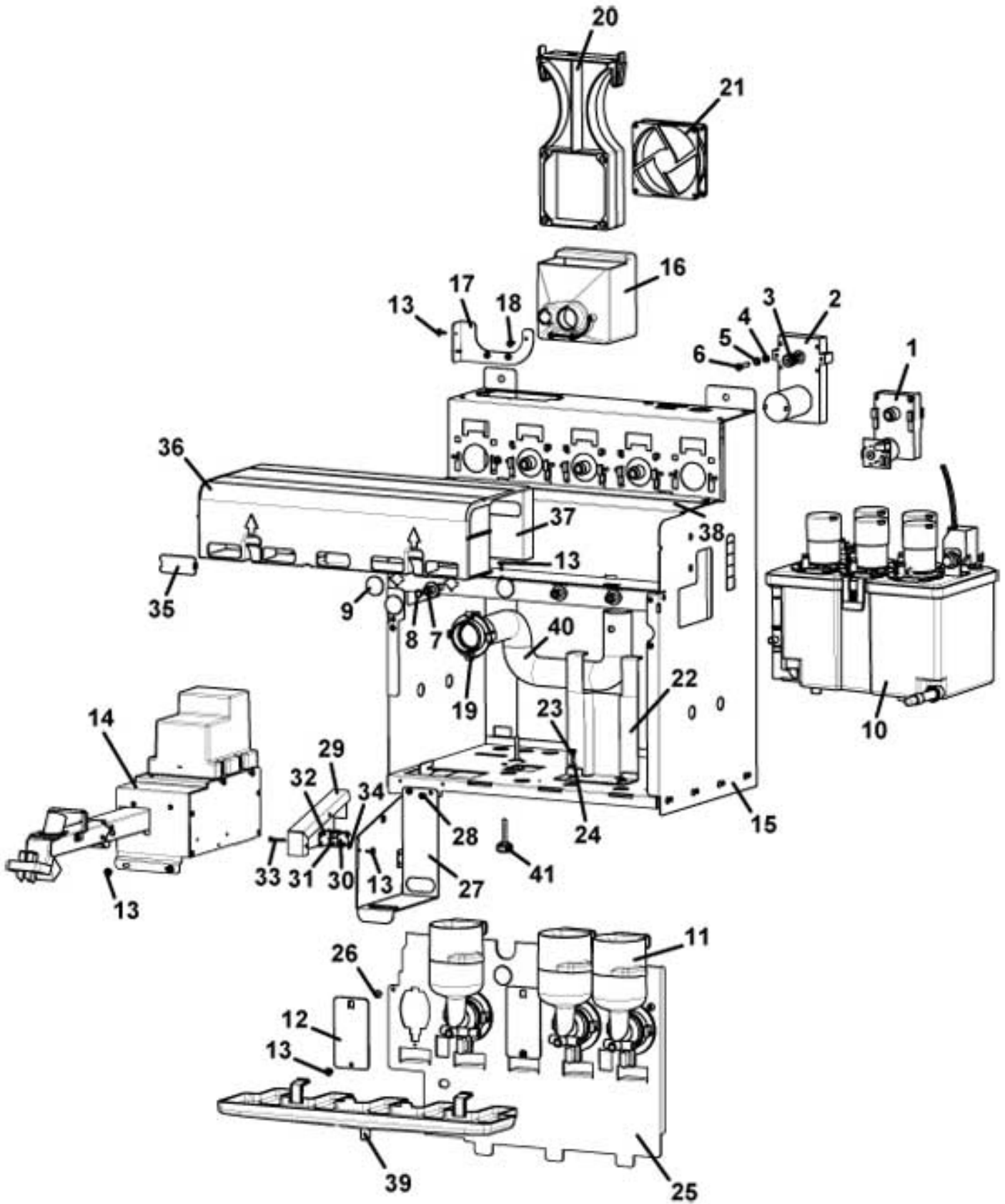


LUCE X2 - 4 COLUMNS CUPS TURRET

Pos.	Code	Description
1/a	0180013105	4C PIPES CONNECTION
	0180013105CY	4C PIPES CONNECTION TECHNIC GREY RAL 9018
1/b	0180013118	WORKED 4C PIPES CONNECTION
	0180013118CY	WORKED 4C PIPES CONNECTION TECHNIC GREY RAL 9018
1/c	0180013119	(80mm) 4C PIPES CONNECTION
	0180013119CY	(80mm) 4C PIPES CONNECTION TECHNIC GREY RAL 9018
2	0180013108	DOUBLE TURRET TIE-BOLT
3	VIT0005210	4 x 28 CYLINDRICAL PIN
4/a	0180013106	2 TURRETS PIPE D.84/81MM L600MM
4/b	0180013117	2 TURRETS PIPE D.87/84MM L600MM
5	0180013113	D.70 COLUMN REDUCTION
6	VIT0003006	8.4x17x1.6 WASHER
7	VIT0004506	M 8 NUT
8	0180013107	TURRET COVER
	0180013107CY	TURRET COVER TECHNIC GREY RAL 9018
100	0180013100CL	4C TURRET ASSEMBLY D.70/73 (FROM POS.1 TO POS. 8-POS.1/A+4/A)
101	0180013100CL0	4C TURRET ASSEMBLY D.78 (FROM POS.1 TO POS. 8-POS.1/A+4/A-EXCLUDED POS.5)
102	0180013100CL3	4C TURRET ASSEMBLY D.80 (FROM POS.1 TO POS. 8-POS.1/B+1/C+4/B-EXCLUDED POS.5)

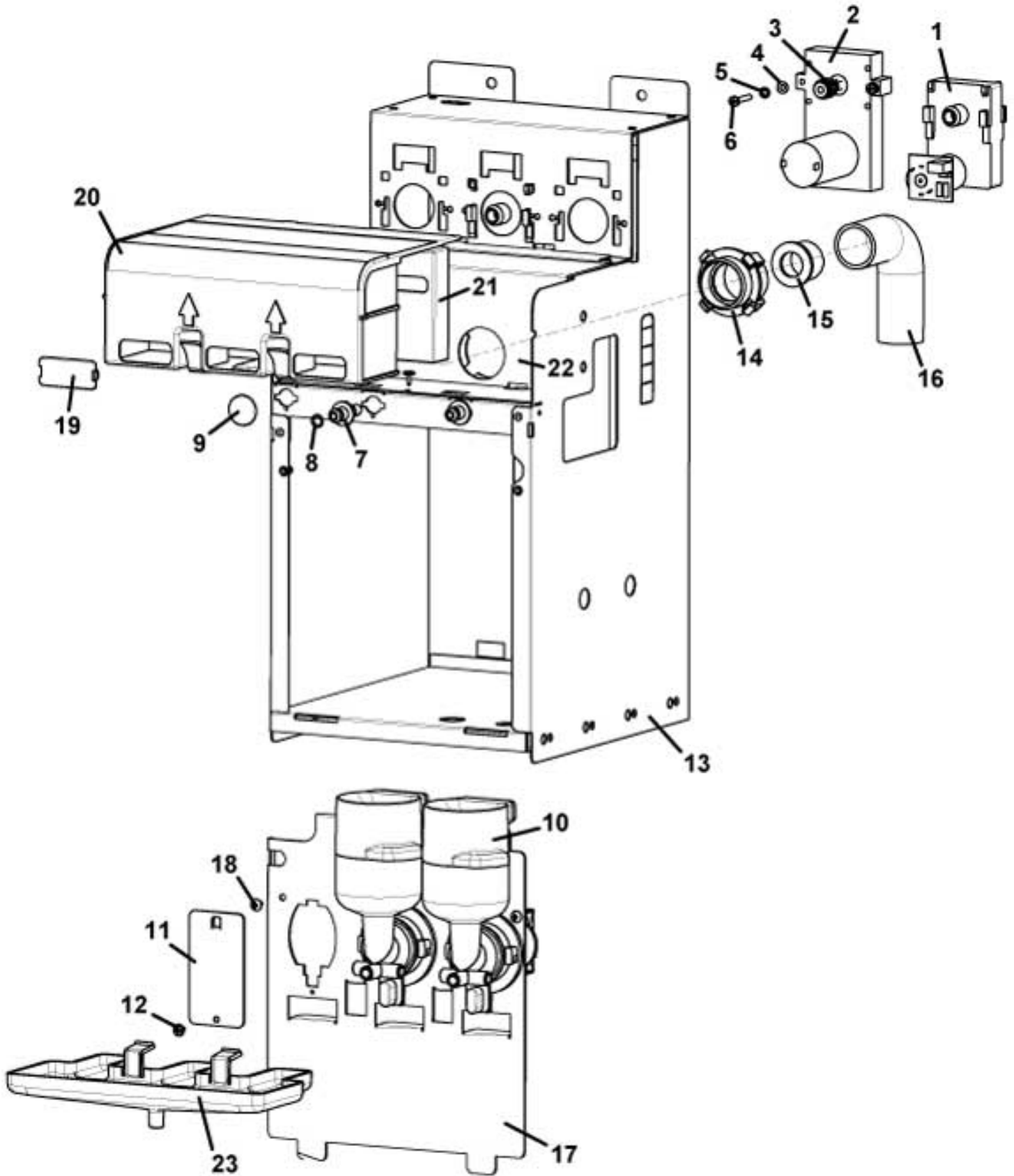


Pos.	Code	Description
1	0020042068	STICKS SUPPORT
2	VIT0000107	M 4x10 TSP SCREW
3	VIT0003103	WASHER tab D. 4.3
4	VIT0003301	WASHER D.12 x 4.3 x 1.5
5	VIT0004503	NUT M 4
6	0450011006	STICKS CONTAINER mm 89
7	0450009139	ELECTROMAGNET R.H SUPPORT
8	VIT0002401	SCREW TCB 3.5 x 9.5
9	VIT0003405	D.4.3 GROWER WASHER
10	0450009140	ELECTROMAGNET L.H. SUPPORT
11	ELE0000055	24 V DC ELECTROMAGNET
12	VIT0000021	M 4x6 TCB SCREW
13	VIT0003003	WASHER D.8 x 4.3 x 0.8
14	VIT0005211	2.5 x 12 CYLINDRICAL PIN
15	0450009141	ELECTROMAGNET CONNECTING ROD
16	0450002003	STICKS DISPENSER
17	VIT0002469	SCREW TC 3.5 x 10
18	0450011066	STICKS DISPENSER PIN
19	VIT0006504	D.5 RADIAL STOP RING
20	0450003010	RETURN SPRING
21	0450011012	STICKS FEEDER 89-104-115 2 TURRETS
22	0450011017	2 TURRETS STICKS CHUTE
23	0450011019	STICKS CONTAINER GUIDE
24	VIT0000030	SCREW TCB M4 x 7
25	0020042167	STICKS STIFFENING
26	0020042169	EM STICKS PROTECTION
27/a	4001012030	STICK WEIGHT 89 mm
27/b	0450003033	STICK WEIGHT 104 mm
27/c	0450011121	STICK WEIGHT 115 mm

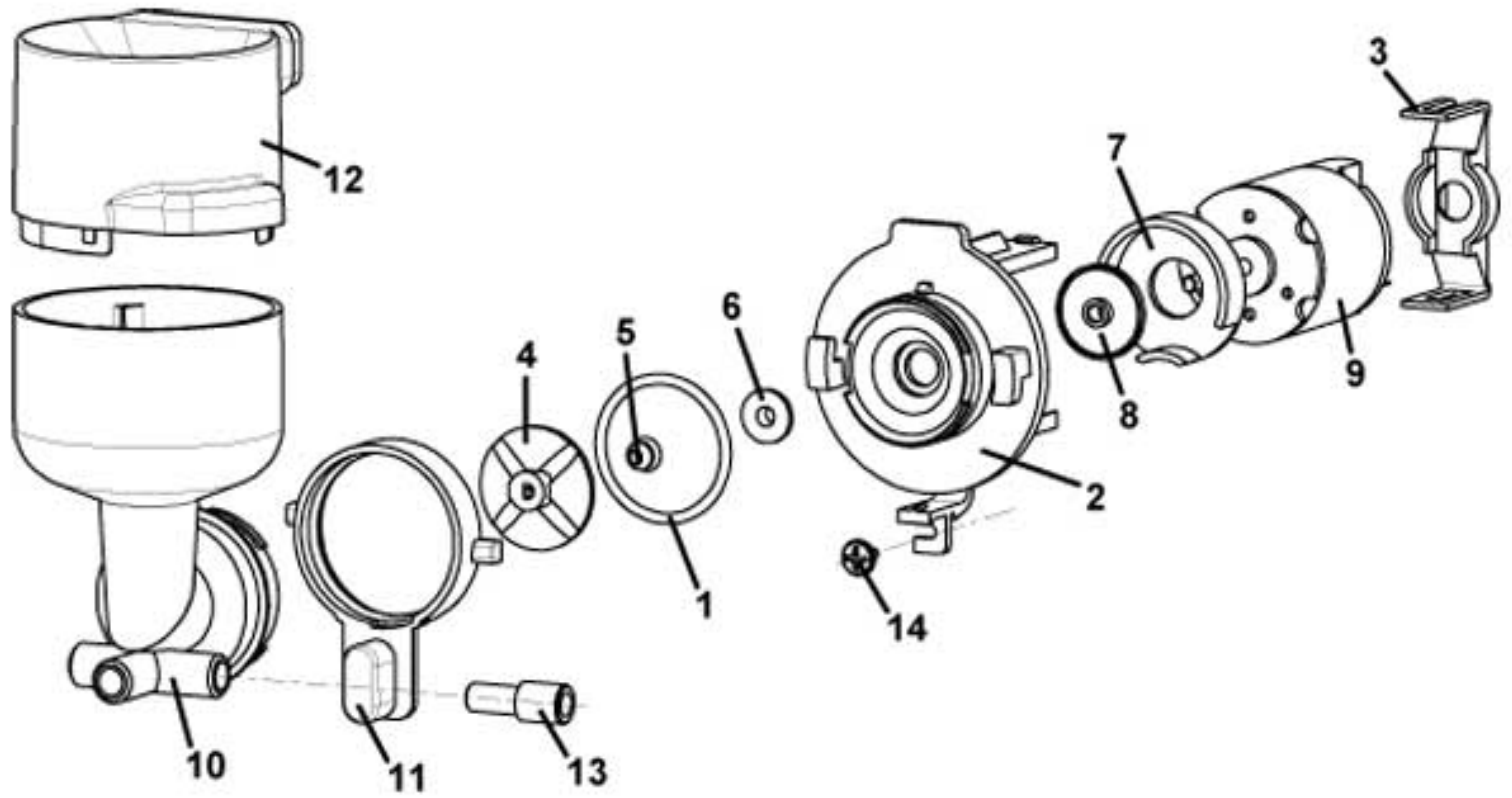


LUCÉ X2 - SOLUBLES DISPENSER H/5

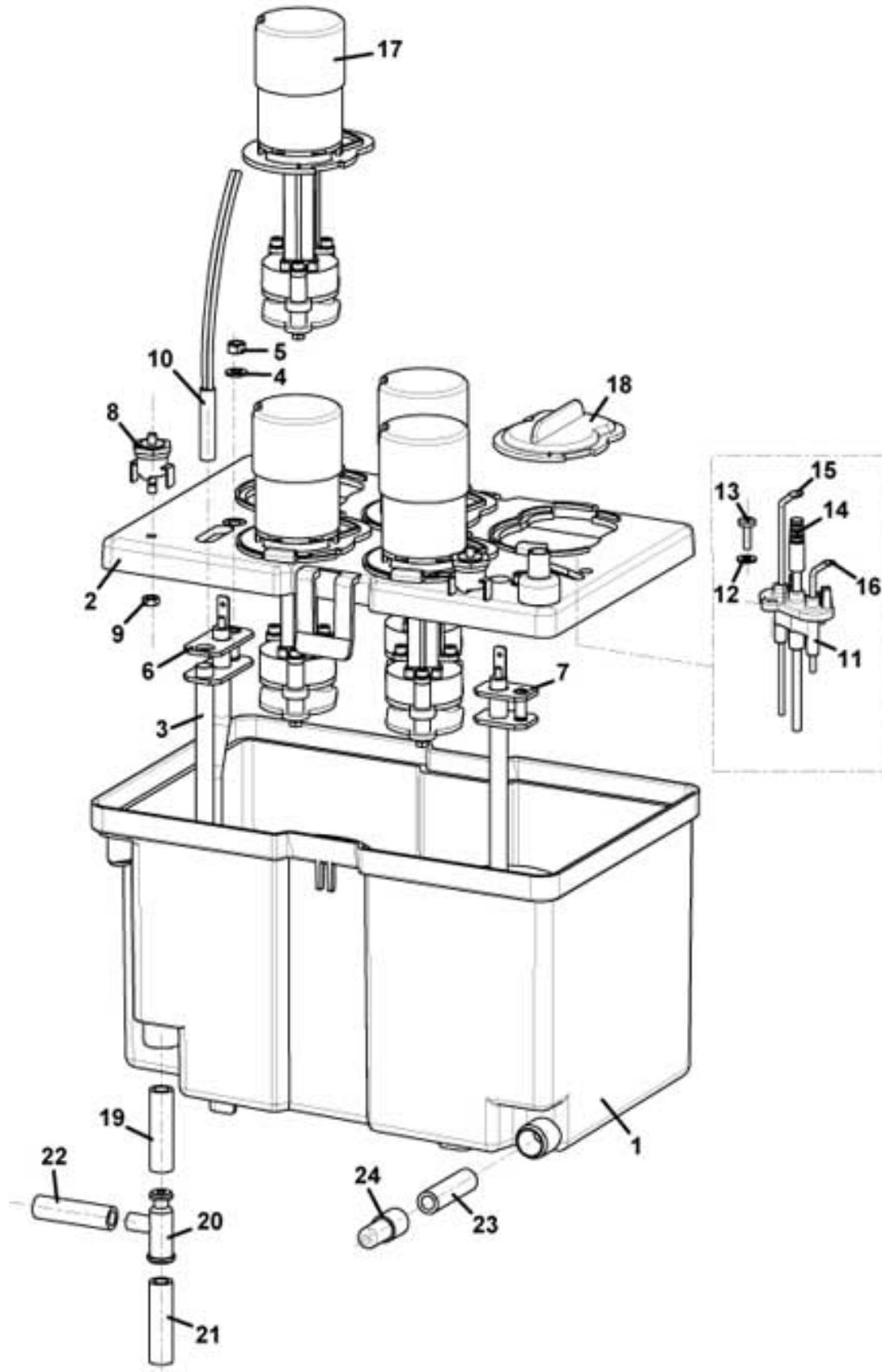
Pos.	Code	Description
1	0090002113R	24 V DC 80 RPM PRODUCT GEAR MOTOR + FILTER
2/a	0090002082	24V D.C. 50 RPM PRODUCT GEAR MOTOR
2/b	0090002081	24 V DC 85 RPM PRODUCT GEAR MOTOR
3	0230012010	DRIVING PINION
4	0090002079	GEAR MOTOR SPACER
5	VIT0003104	WASHER tab D. 5.1
6	VIT0000015	M 4x25 TCB SCREW
7	0080100043	WATER OUTLET
8	GUA0000089	SILICONE 2031 OR
9	0080100035	PLUG
	0080100035NA	PLUG BLACK
10		See table BOILER
11		See table MIXER
12	0010020028	MIXER PLUG
	0010020028NA	MIXER PLUG BLACK
13	VIT0002401	SCREW TCB 3.5 x 9.5
14		See table DISTRIBUTION PIPES MOVEMENT
15	0070020001	SOLUBLES HOUSING H/5 RIVETED
16	0070020017	EXHAUST HOUSING CONDUIT
	0070020017CY	EXHAUST HOUSING CONDUIT TECHNIC GREY RAL 9018
17	0070020021	FAN PLACE SUPPORT
18	VIT0002469	SCREW TC 3.5 x 10
19	0070020019	EOLO TUBE SUPPORT
	0070020019CY	EOLO TUBE SUPPORT TECHNIC GREY RAL 9018
20	0070020024	FAN SUPPORT
	0070020024IC	FAN SUPPORT ORANGE RAL 2011
21	ELE0000464R	AXIAL FIRE-FAN D.92 24V DC ASSEMBLY
22	0070020023	BOILER FIXING
23	VIT0001005	SCREW T.C.B. M 4 x 12
24	VIT0003109	WASHER tab D. 4.3
25	0070020011	H5 MIXERS SUPPORT
26	VIT0000030	SCREW TCB M4 x 7
27	0070020036	GUIDE FOR PIPES
28	VIT0002009	SCREW T.C.B. 3.5 x 6.5
29	0070020037	MICRO PROTECTION
30	ELE0001528	MICRO 83.161.832
31	NL201106265	MICRO LEVER
32	4600010014	MICRO SPACER
33	VIT0000007	M 3x20 TCB SCREW
34	VIT0004701	M3 FR NUT
35	0070014776	EXHAUST PLUG
36	0070020012	EXHAUST DRAWER H5
	0070020012CY	EXHAUST DRAWER H5 TECHNIC GREY RAL 9018
37	0070020013	EXHAUST COVER H5
	0070020013CY	EXHAUST COVER H5 TECHNIC GREY RAL 9018
38	0070020004	EXHAUST SUPPORT H5
39	0070020035	TRAY H5
	0070020035CY	TRAY H5 TECHNIC GREY RAL 9018
40	TEOL000002	EXTERNAL WRINKLED PIPE D.30
41	VIT0009164	HANDLE M 4 x 25



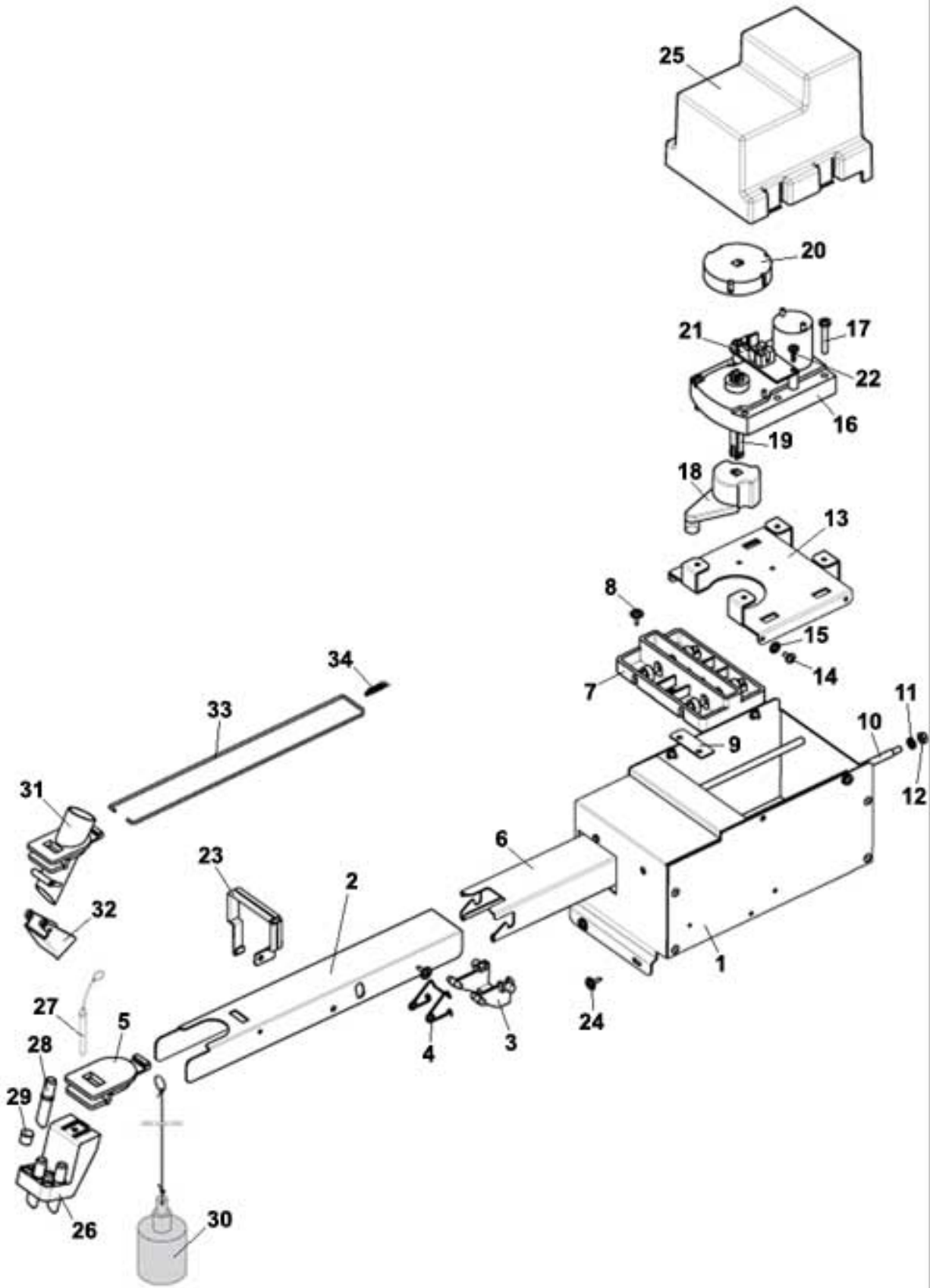
Pos.	Code	Description
1	0090002113R	24 V DC 80 RPM PRODUCT GEAR MOTOR + FILTER
2	0090002081	24 V DC 85 RPM PRODUCT GEAR MOTOR
3	0230012010	DRIVING PINION
4	0090002079	GEAR MOTOR SPACER
5	VIT0003103	WASHER tab D. 4.3
6	VIT0000015	M 4x25 TCB SCREW
7	0080100043	WATER OUTLET
8	GUA0000089	SILICONE 2031 OR
9	0080100035	PLUG
	0080100035NA	PLUG BLACK
10		See table MIXER
11	0010020028	MIXER PLUG
	0010020028NA	MIXER PLUG BLACK
12	VIT0002401	SCREW TCB 3.5 x 9.5
13	0070020051	SOLUBLES HOUSING H/3 RIVETED
14	0070020019	EOLO TUBE SUPPORT
	0070020019CY	EOLO TUBE SUPPORT TECHNIC GREY RAL 9018
15	0070020073	EXHAUST REDUCTION
	0070020073CY	EXHAUST REDUCTION TECHNIC GREY RAL 9018
	0070020073NA	EXHAUST REDUCTION BLACK
16	TEOL0000001	EOLO TUBE SL D.20
17	0070020061	H3 MIXERS SUPPORT
18	VIT0000030	SCREW TCB M4 x 7
19	0070014776	EXHAUST PLUG
20	0070020062	EXHAUST DRAWER H3
	0070020062CY	EXHAUST DRAWER H3 TECHNIC GREY RAL 9018
21	0070020063	EXHAUST COVER H3
	0070020063CY	EXHAUST COVER H3 TECHNIC GREY RAL 9018
22	0070020054	EXHAUST SUPPORT H3
23	0070020072	TRAY H3
	0070020072CY	TRAY H3 TECHNIC GREY RAL 9018



Pos.	Code	Description	
1	GUA0000084	GASKET 3131	
2	0080100005	MIXER BASE	
3	0080100009	MOTOR CONNECTION COVER	
	0080100009IC	MOTOR CONNECTION COVER ORANGE RAL 2011	
4	0080100011	SMALL FAN MIXER SHAFT D.4	
	0080100011PL	SMALL FAN MIXER SHAFT D.4 OVERSEAS BLUE RAL 5002	
5	0080100014	MIXER GASKET - SHAFT D.4	
6	0080100015	MIXER BASE BUSH	
7	0080100023	MIXER COVER	
	0080100023IC	MIXER COVER ORANGE RAL 2011	
8	0080100024	DRIP TRAP FAN	
9	0090003023	24 V DC MIXER MOTOR SHAFT D.4	
10	0080100041	MIXER WITH BODY	
	0080100041PL	MIXER WITH BODY OVERSEAS BLUE RAL 5002	
11	0080100006	STOPPER RING	
	0080100006IC	STOPPER RING ORANGE RAL 2011	
12	0080100031	EXHAUST BODY D.70	
	0080100031NA	EXHAUST BODY D.70 BLACK	
13	0080100016	INSTANT COFFEE REDUCTION D.2,5	
14	VIT0002401	SCREW TCB 3.5 x 9.5	
100	0080100001R	MIXER BASE+MOTOR ASSEMBLY (FROM POS.1 TO POS.9)	assieme

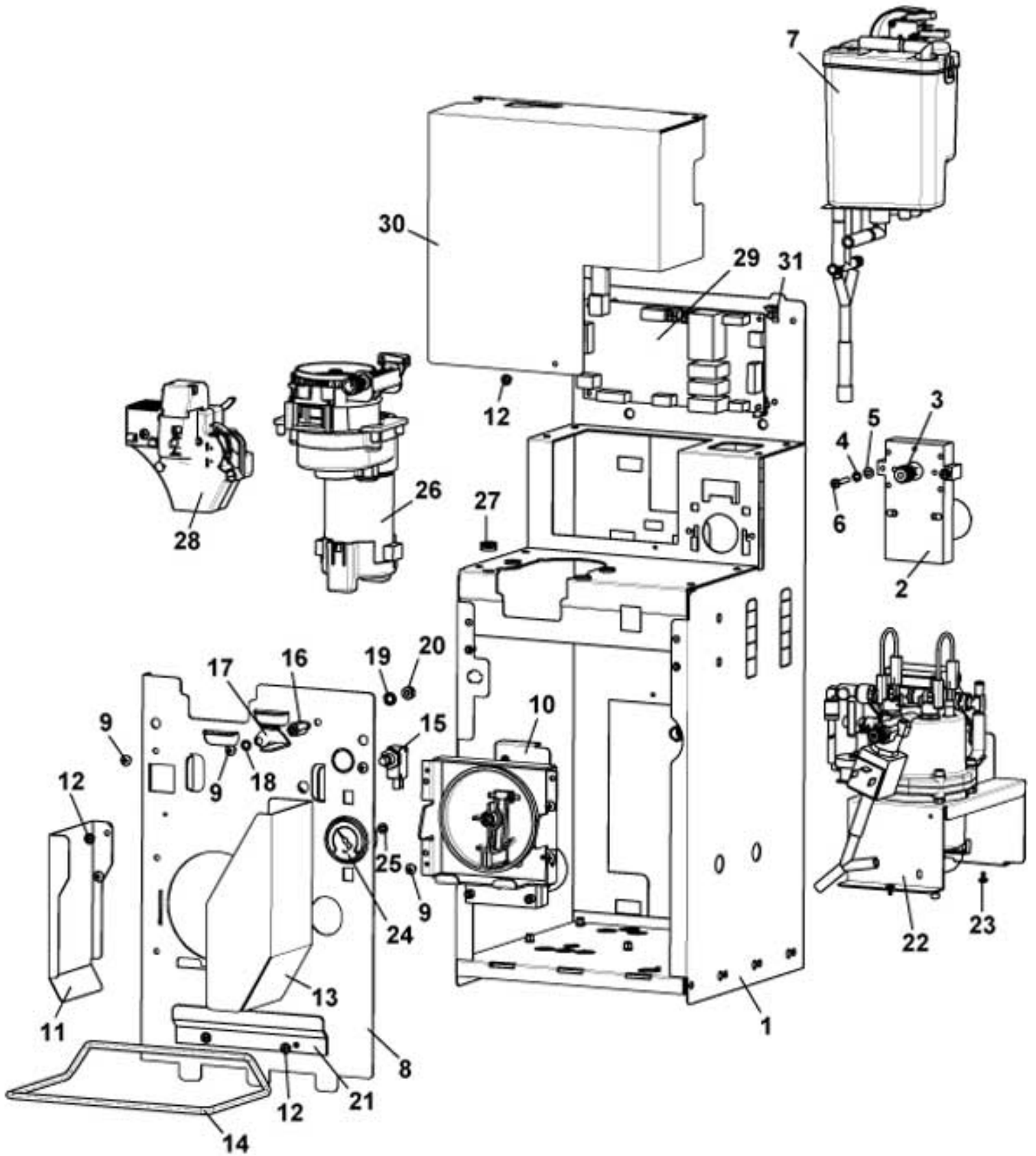


Pos.	Code	Description
1	0600014111	BOILER TANK It's part of kit 0600014111R
2	0600014106	BOILER COVER It's part of kit 0600014111R
3	0600014107	1600W HEATING ELEMENT
4	VIT0003203	STAINLESS STEEL FLAT WASHER D.5.3 x 10 x 1
5	VIT0004804	STAINLESS STEEL NUT M5
6	0600014113	BOILER HEATING ELEMENT GASKET (3 HOLES)
7	0600014114	BOILER HEATING ELEMENT GASKET (2 HOLES)
8	ELE0000965	MANUAL RESET THERMOSTAT 88°C
9	VIT0004803	STAINLESS STEEL NUT M4
10	ELE0003026CL	121° THERMOFUSE ASSEMBLY
11	0600016059	PROBE SUPPORT
12	VIT0003202	STAINLESS STEEL FLAT WASHER D.4,3 x 9 x 0,8
13	VIT0001005	SCREW T.C.B. M 4 x 12
14	ELE0000978R	SOLUBLES PROBE mm 80
15	0600016053	WATER PROBE
16	0600016054	MAX WATER LEVEL PROBE
17	0600016405R	BOILER PUMP ASSEMBLY
18	0600016422	COVER FOR HOLE PUMP
19	TSIL06/11T	TRANSPARENT SILICONE PIPE
20	0600016028	"T" UNION
21	TSIL07/11T	TRANSPARENT SILICONE PIPE D.7 x 11
22	TSIL05/08T	TRANSPARENT SILICONE PIPE D.5 x 8
23	TSIL10/14T	TRANSPARENT SILICONE PIPE D.10 x 14
24	650001057	DISCHARGE PLUG
100	0600014102R	5 PUMPS BOILER ASSEMBLY
101	0600014100R	ASSEMBLED 4 PUMP BOILER
102	0600014101R	ASSEMBLED 3 PUMP BOILER



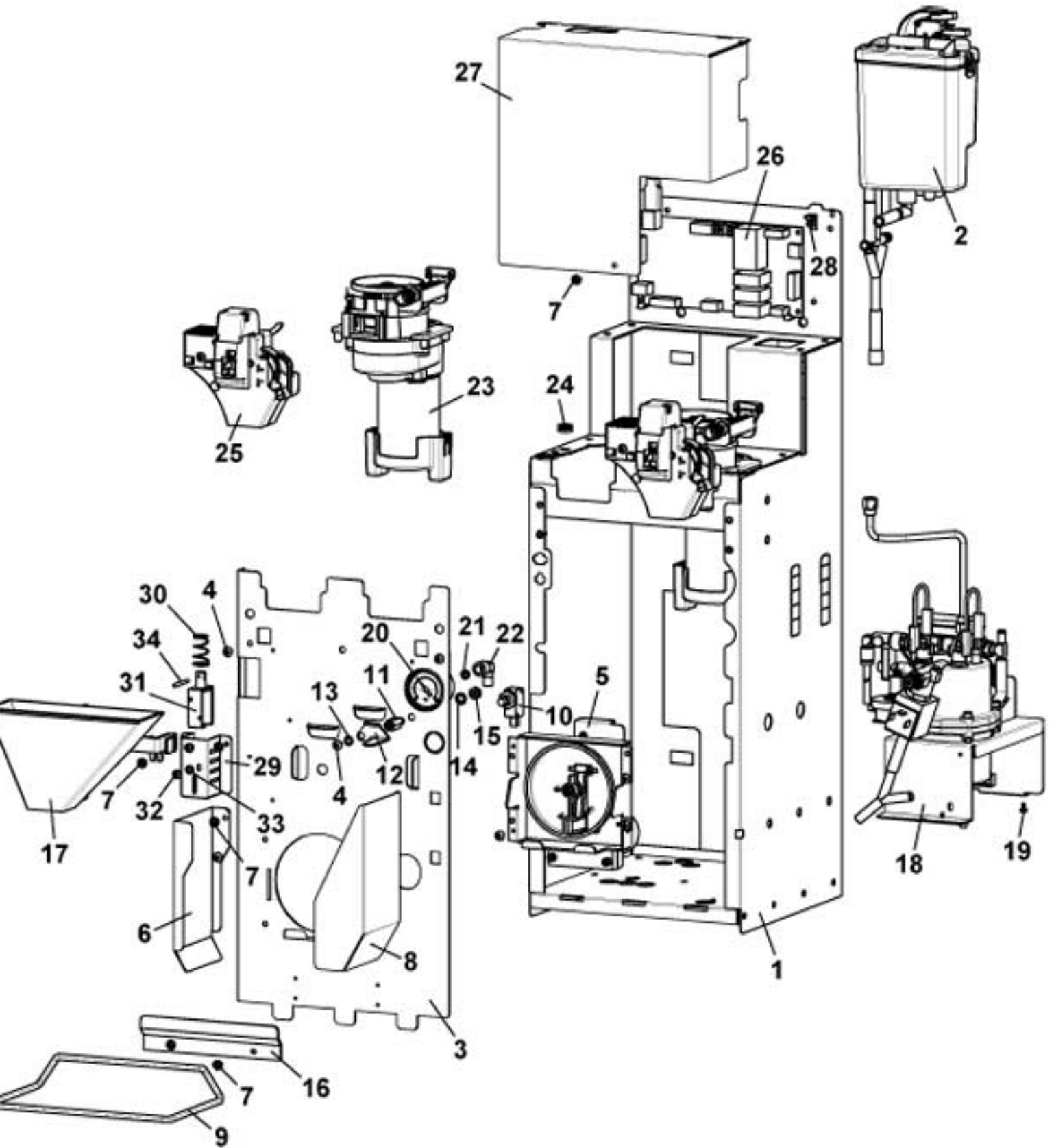
LUCÉ X2 - DISTRIBUTION PIPES MOVEMENT

Pos.	Code	Description
1	0380010827	RIVETED MOVABLE PIPES MOVEMENT HOUSING
2	0380010796	PIPES MOVEMENT TRACK
3	VIT0000006	M 3x16 TCB SCREW
4	VIT0004701	M3 FR NUT
5	0380010798	PIPES MOVEMENT GUIDE
6	0380010821	MOVABLE PRODUCT PIPES SUPPORT
7	0380010599	KEY PIPES MOVEMENT
8	0380010629	KEY PIPES MOVEMENT
9	0380010459	PRODUCT PIPES SUPPORT PLATE
	0380010459NA	PRODUCT PIPES SUPPORT PLATE BLACK
10	0380010826	PIPES MOVEMENT SLIDE
11	VIT0000005	M 3x12 TCB SCREW
12	VIT0003102	WASHER tab D. 3.2
13	0380010693	GEAR MOTOR SUPPORT
14	VIT0002009	SCREW T.C.B. 3,5 x 6,5
15	VIT0003103	WASHER tab D. 4.3
16	0090002109	24V D.C. GEAR MOTOR 24 R.P.M.
17	VIT0000015	M 4x25 TCB SCREW
18	0380010694	MOVABLE PIPES CAM
19	0380010831	BUSH 20x4
20	0380009542	SHAFT SUGAR MOVEMENT
21	0380009541	SUGAR POSITION MOVEMENT DISK
22	SCH0003700	CAM PIPE SENSOR
23	VIT0002009	SCREW T.C.B. 3,5 x 6,5
24	0380010655	PIPES PRODUCT SUPPORT
	0380010655NA	PIPES PRODUCT SUPPORT BLACK
25	0380010657	DISPENSER PIPE
	0380010657NA	DISPENSER PIPE BLACK
26	0380010656	PLUG
	0380010656NA	PLUG BLACK
27	0380010709	HOSE CLAMP
28	VIT0002401	SCREW TCB 3.5 x 9.5
29	0380010695	PIPE MOVEMENT COVER
	0380010695CW	PIPE MOVEMENT COVER B TRAFFIC GREY
30	0380010429CL	SECURING PIN ASSEMBLY
31	0380010423	SUGAR CHUTE
	0380010423NA	SUGAR CHUTE BLACK
32	0380010424	MOBILE WALL
	0380010424NA	MOBILE WALL BLACK
33	0380010823	WALL OPENING CONNECTION
34	0380010431	MOBILE WALL SPRING
35	0070020038CL2	ASSEMBLED FLOATER
100	0380010793CL	MOVABLE PIPES MOVEMENT ASSEMBLY FROM POS.1 TO POS. 23
101	0380010792CL	ASSEMBLED "E" PIPES PRODUCT MOVEMENT FROM POS. 1 TO POS. 23+31+32+33+34 EXCLUDED POS. 9



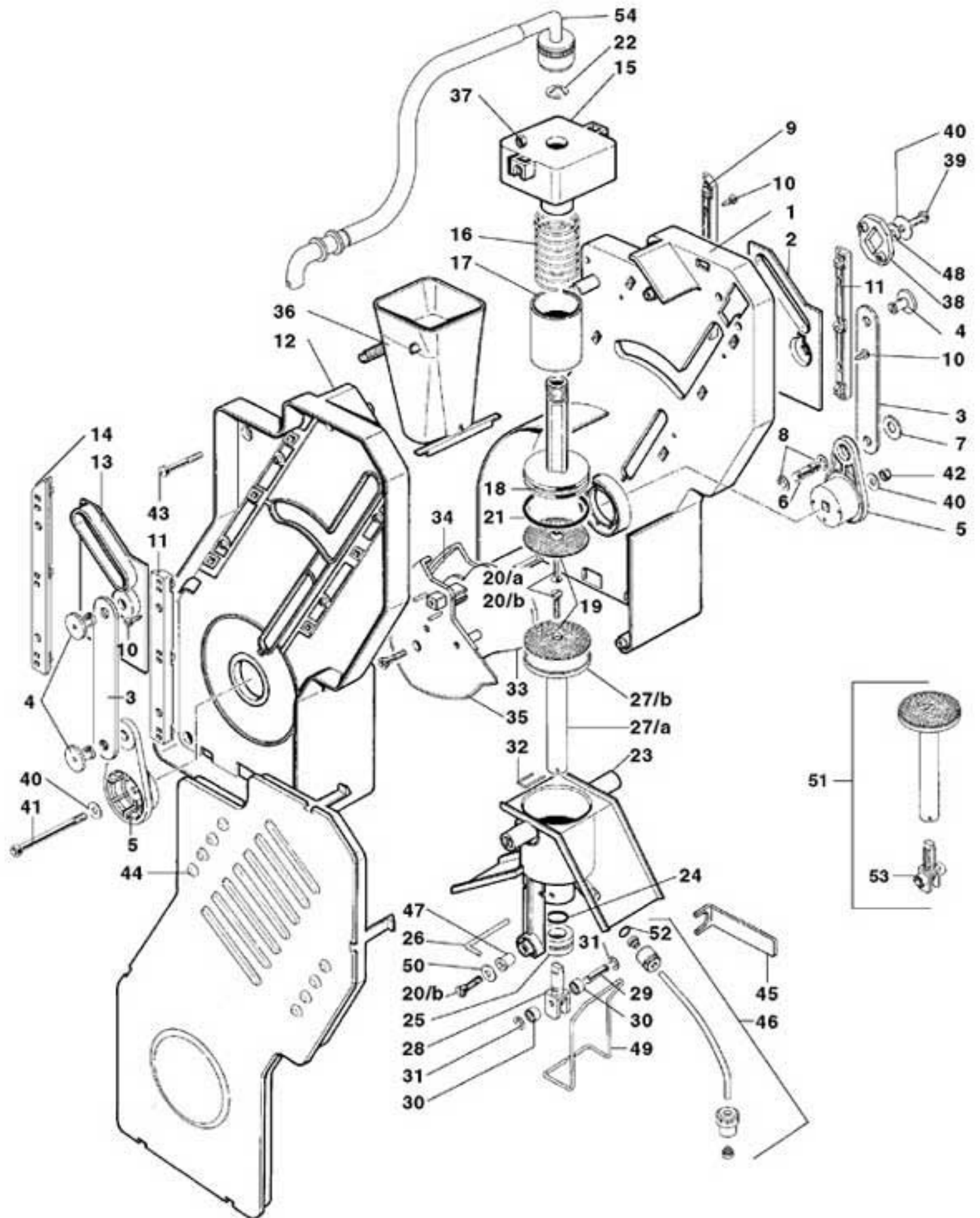
LUCÉ X2 - 1 GRINDRE - MICRO COFFEE GROUP HOUSING

Pos.	Code	Description
1	0260011105	COFFEE BEANS GROUP HOUSING RIVETED
2	0090002082	24V D.C. 50 RPM PRODUCT GEAR MOTOR
3	0230012010	DRIVING PINION
4	VIT0003103	WASHER tab D. 4.3
5	0090002079	GEAR MOTOR SPACER
6	VIT0000015	M 4x25 TCB SCREW
7		See table WATER INLET PANEL
8	0260011111	GROUP SUPPORT
9	VIT0000030	SCREW TCB M4 x 7
10		See table COFFEE BEANS GROUP SUPPORT
11	0260010207	COFFEE POWDERS CHUTE
	0260010207CK	COFFEE POWDERS CHUTE DUST GREY RAL 7037
12	VIT0002401	SCREW TCB 3.5 x 9.5
13	0260011119	GROUNDS FEEDER
14	0260005021	GROUNDS BAG SUPPORT
15	ELE0001506	MICROSWITCH 83.131.8-IW3M
16	0010020196	HOOKING BLOCK
17	0010020132	GROUP CONNECTING PLATE
18	GUA0000004	GASKET 104
19	VIT0003105	WASHER tab D. 6.4
20	VIT0004505	NUT M6
21	0260005022	BAG SUPPORT PLATE
22		See table PRESOBEAN BOILER SUPPORT
23	VIT0002009	SCREW T.C.B. 3,5 x 6,5
24	0110006001	D.40 0-20 bar MANOMETER - 1(8' REAR CONN.
25	0100003002	COPPER GASKET
26		See table VERTICAL MILL GROUP
27	GUA0010003	BLACK CHOCK RUBBER 7522
28		See table PLASTIC BATCHER WITH SETTING
29	SCH0007401	COFFEE GROUP CONTROL (WITH FUSE)
30	0260011134	BOARD PROTECTION
31	ELE0062008	PIN BOARD SUPPORT

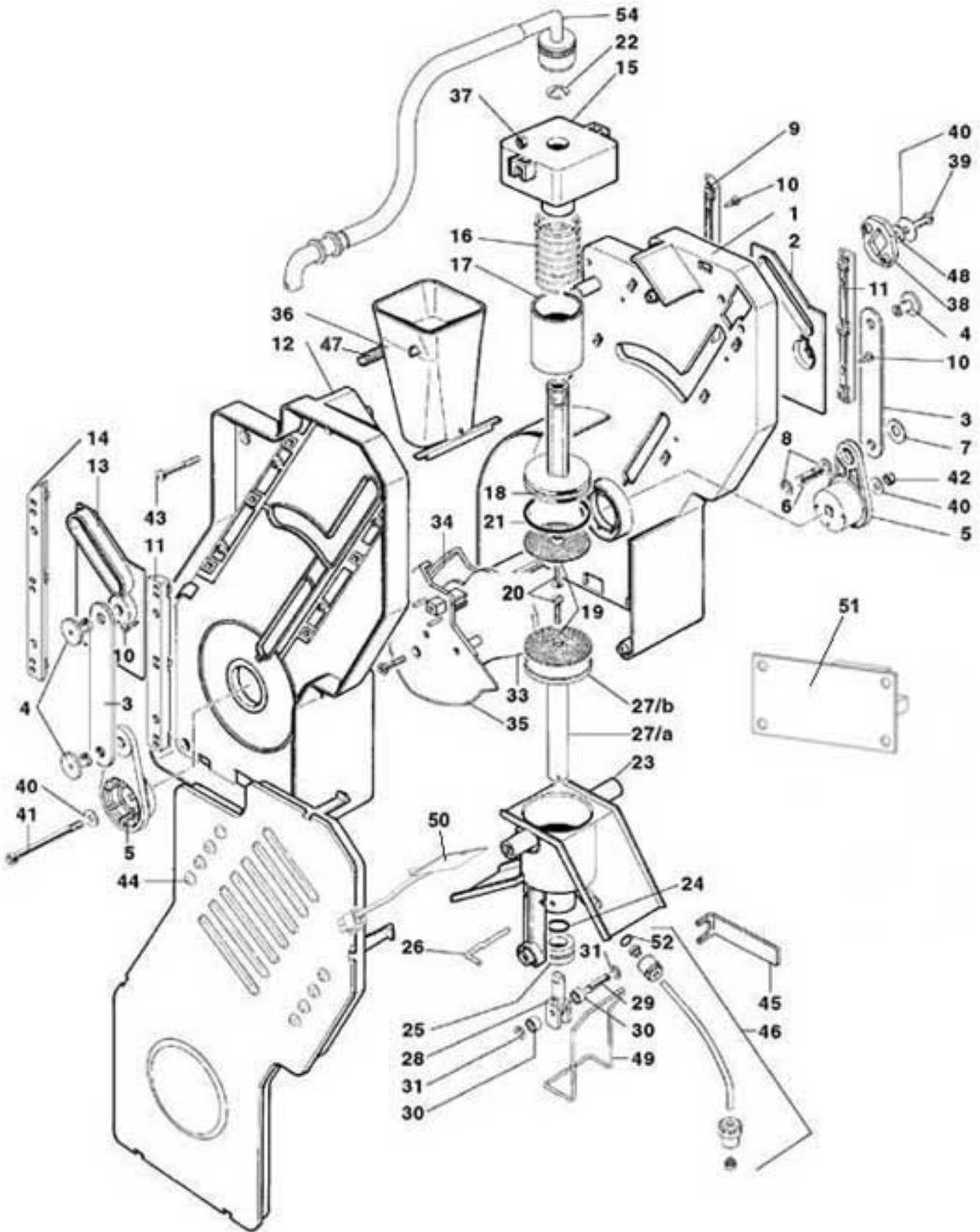


LUCÉ X2 - 2 GRINDERS - MICRO COFFEE GROUP HOUSING

Pos.	Code	Description
1	0260011125	2 MILLS COFFEE BEANS GROUP HOUSING RIVETED
2		See table WATER INLET PANEL
3	0260011127	2 MILLS GROUP SUPPORT
4	VIT0000030	SCREW TCB M4 x 7
5		See table COFFEE BEANS GROUP SUPPORT
6	0260010207	COFFEE POWDERS CHUTE
	0260010207CK	COFFEE POWDERS CHUTE DUST GREY RAL 7037
7	VIT0002401	SCREW TCB 3.5 x 9.5
8	0260011117	2 MILLS GROUNDS FEEDER
9	0260005021	GROUNDS BAG SUPPORT
10	ELE0001506	MICROSWITCH 83.131.8-IW3M
11	0010020196	HOOKING BLOCK
12	0010020132	GROUP CONNECTING PLATE
13	GUA0000004	GASKET 104
14	VIT0003105	WASHER tab D. 6.4
15	VIT0004505	NUT M6
16	0260005022	BAG SUPPORT PLATE
17	0320005062	2 MILLS COFFEE POWDERS CHUTE
	0320005062AH	2 MILLS COFFEE POWDERS CHUTE RAL 9003 SIGNAL WHITE
18		See table PRESSEBEAN BOILER SUPPORT
19	VIT0002009	SCREW T.C.B. 3,5 x 6,5
20	0110006001	D.40 0-20 bar MANOMETER - 1(8' REAR CONN.
21	0100003002	COPPER GASKET
22	0100001085	M-F 1/8 ELBOW CONNECTION
23		See table VERTICAL MILL GROUP
24	GUA0010003	BLACK CHOCK RUBBER 7522
25		See table PLASTIC BATCHER WITH SETTING
26	SCH0007401	COFFEE GROUP CONTROL (WITH FUSE)
27	0260011134	BOARD PROTECTION
28	ELE0062008	PIN BOARD SUPPORT
29	0260011132	ELECTROMAGNET SUPPORT
30	0350003412	BATCHER SPRING
31	ELE0000056	24V DC ELECTROMAGNET W/CABLES
32	VIT0000021	M 4x6 TCB SCREW
33	VIT0003103	WASHER tab D. 4.3
34	VIT0005207	3 x 32 CYLINDRICAL PIN



Pos.	Code	Description
1	0250008005	R.H. FRAME It's part of kit 0250008005R
2	0250008084	R.H. INFUSION CHAMBER CAM
3	0250008009	CONNECTING ROD
4	0250008028	PIN FOR CONNECTING ROD
5	0250008011	R.H. CRANK
6	0250008014	MOTOR CRANK PIN
7	0250008042	ANTIVIBRATION WASHER
8	VIT0006515	D.5 RADIAL STOP RING
9	0250008031	R.H. REAR GUIDE
10	VIT0002026	3.5x 6.5 STAINLESS STEEL TAPPING TCB SCREW
11	0250008033	FRONT GUIDE
12	0250008006	L.H. FRAME It's part of kit 0250008005R
13	0250008085	L.H. INFUSION CHAMBER CAM
14	0250008032	L.H. REAR GUIDE
15	0250008086	UPPER FILTER SUPPORT
16	0250008024	UPPER FILTER SPRING
17	0250008087	SPRING COVER PIPE
18/a	0250008026	D.36 UPPER FILTER
18/b	0250008208	D.40 UPPER FILTER
	0250008208IC	D.40 UPPER FILTER ORANGE RAL 2011
19/a	0250008099	FILTER
19/b	0250008211	FILTER D.40
20/a	VIT0001202	M 3x14 TSP SCREW
20/b	VIT0000121	M 3x8 TSP SCREW
21/a	GUA0000080	SILICONE 4112 OR
21/b	GUA0000097	SILICONE 4131 OR
22	VIT0006513	D.8 STAINLESS STEEL INSIDE SEEGER
23/a	0250008046R	INFUSION CHAMBER
23/b	0250008206R	INFUSION CHAMBER D.40
24	GUA0000065	SILICONE OR 112
25	0250008053	LOWER INLET CUP BUSH
26	0250008029	GLASS BUSH PIN
27/a	0250008108	FILTER SUPPORT SHFT It's part of kit 0250008108R
27/b	0250008122	LOWER FILTER
27/c	0250008209	LOWER FILTER D.40
	0250008209IC	LOWER FILTER D.40 ORANGE RAL 2011
28	0250008106	LOWER FILTER ROLL SUPPORT
29	0250008021	ROLL SHAFT
30	0250008022	ROLL SHAFT
31	VIT0006516	D.3.2 RADIAL STOP RING
32	0250008119	SPRING
33	0250008083	FILTER EJECTION CAM
34	0250008016	R.H. FILTER RECOVERY CAM
35	0250008017	L.H. FILTER RECOVERY CAM
36	0250008036	COFFEE CONE
37	VIT0004803	STAINLESS STEEL NUT M4
38	0250008035	SETTING PLATE
39	VIT0000032	M 4x8 INOX TCB SCREW
40	VIT0003309	4.3x16x1.5 STAINLESS STEEL FLAT WASHER
41	VIT0005523	4x60 STAINLESS STEEL TCEI SCREW
42	VIT0004810	M 4 SELFLOCKING NUT
43	VIT0002461	SCREW TCCRT 4,2 x 26
44	0250008039	L.H. FRAME COVER
	0250008039CM	L.H. FRAME COVER MERCEDES GREY RAL 9006
	0250008039IC	L.H. FRAME COVER ORANGE RAL 2011
45	0250008048	KEY FOR NUT
46	0250008110CL	WATER INLET PIPER ASSEMBLY
47	VIT0009203	M 3 CONNECTION FOR THERMOPLASTIC
48	VIT0003451	GROWER SPRING WASHER
50	0250008088	WASHER FOR CHAMBER CAM
51	0250008109R	D.36 LOWER FILTER+ROLL SUPPORT ASSEMBLY
52	GUA0000061	2010 VITON OR
53	0250008107R	LOWER FILTER ROLL SUPPORT
54	0250008133CL	COFFEE OUTLET PIPE ASSEMBLY
100	0250008001R	MICRO COFFEE GROUP
101	0250008201R	MICRO COFFEE GROUP D.40
102	0250008026R	D.36 UPPER FILTER ASSEMBLY
103	0250008208R	D.40 UPPER FILTER ASSEMBLY
104	0250008108R	D.36 LOWER FILTER

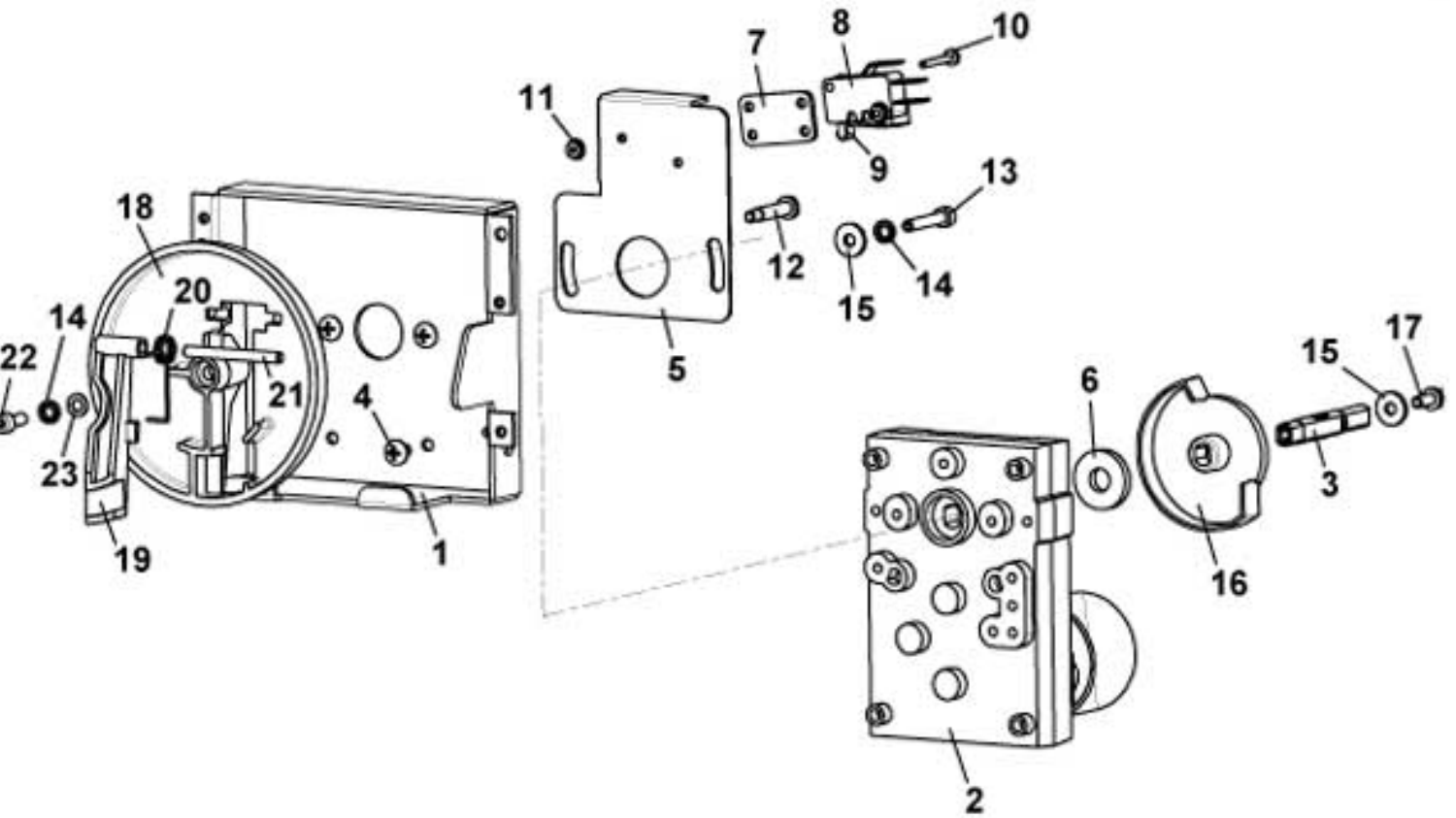


LUCÉ X2 - HEATED MICRO COFFEE GROUP

Pos.	Code	Description
1	0250008005	R.H. FRAME It's part of kit 0250008005R
2	0250008084	R.H. INFUSION CHAMBER CAM
3	0250008009	CONNECTING ROD
4	0250008028	PIN FOR CONNECTING ROD
5	0250008011	R.H. CRANK
6	0250008014	MOTOR CRANK PIN
7	0250008042	ANTIVIBRATION WASHER
8	VIT0006515	D.5 RADIAL STOP RING
9	0250008031	R.H. REAR GUIDE
10	VIT0002026	3.5x 6.5 STAINLESS STEEL TAPPING TCB SCREW
11	0250008033	FRONT GUIDE
12	0250008006	L.H. FRAME It's part of kit 0250008005R
13	0250008085	L.H. INFUSION CHAMBER CAM
14	0250008032	L.H. REAR GUIDE
15	0250008086	UPPER FILTER SUPPORT
16	0250008024	UPPER FILTER SPRING
17	0250008087	SPRING COVER PIPE
18	0250008026	D.36 UPPER FILTER
19	0250008019	FILTER
20	VIT0000121	M 3x8 TSP SCREW
21	GUA0000080	SILICONE 4112 OR
22	VIT0006513	D.8 STAINLESS STEEL INSIDE SEEGER
23	0250008215R	INFUSION CHAMBER WITH GROUNDS CHUTE
24	GUA0000065	SILICONE OR 112
25	0250008053	LOWER INLET CUP BUSH
26	0250008029	GLASS BUSH PIN
27/a	0250008108	FILTER SUPPORT SHFT It's part of kit 0250008108R
27/b	0250008122	LOWER FILTER
28	0250008226	ROLL SUPPORT
29	0250008021	ROLL SHAFT
30	0250008022	ROLL SHAFT
31	VIT0006516	D.3.2 RADIAL STOP RING
33	0250008083	FILTER EJECTION CAM
34	0250008016	R.H. FILTER RECOVERY CAM
35	0250008017	L.H. FILTER RECOVERY CAM
36	0250008036	COFFEE CONE
37	VIT0004803	STAINLESS STEEL NUT M4
38	0250008035	SETTING PLATE
39	VIT0000032	M 4x8 INOX TCB SCREW
40	VIT0003309	4.3x16x1.5 STAINLESS STEEL FLAT WASHER
41	VIT0005523	4x60 STAINLESS STEEL TCEI SCREW
42	VIT0004810	M 4 SELFLOCKING NUT
43	VIT0002461	SCREW TCCCRT 4,2 x 26
44	0250008039	L.H. FRAME COVER
	0250008039CM	L.H. FRAME COVER MERCEDES GREY RAL 9006
	0250008039IC	L.H. FRAME COVER ORANGE RAL 2011
45	0250008048	KEY FOR NUT
46	0250008110CL	WATER INLET PIPER ASSEMBLY
47	0250008119	SPRING
48	VIT0003451	GROWER SPRING WASHER
50	0250008213R	COMPLETE HEATING ELEMENT
51	SCH0006880	HEATING ELEMENT POWER BOARD
52	GUA0000061	2010 VITON OR
54	0250008130CL	COFFEE OUTLET PIPE ASSEMBLY
100	0250008220R	HEATED MICRO COFFEE GROUP D.36
101	0250008227R	ASSEMBLED LOWER FILTER ROLL SUPPORT

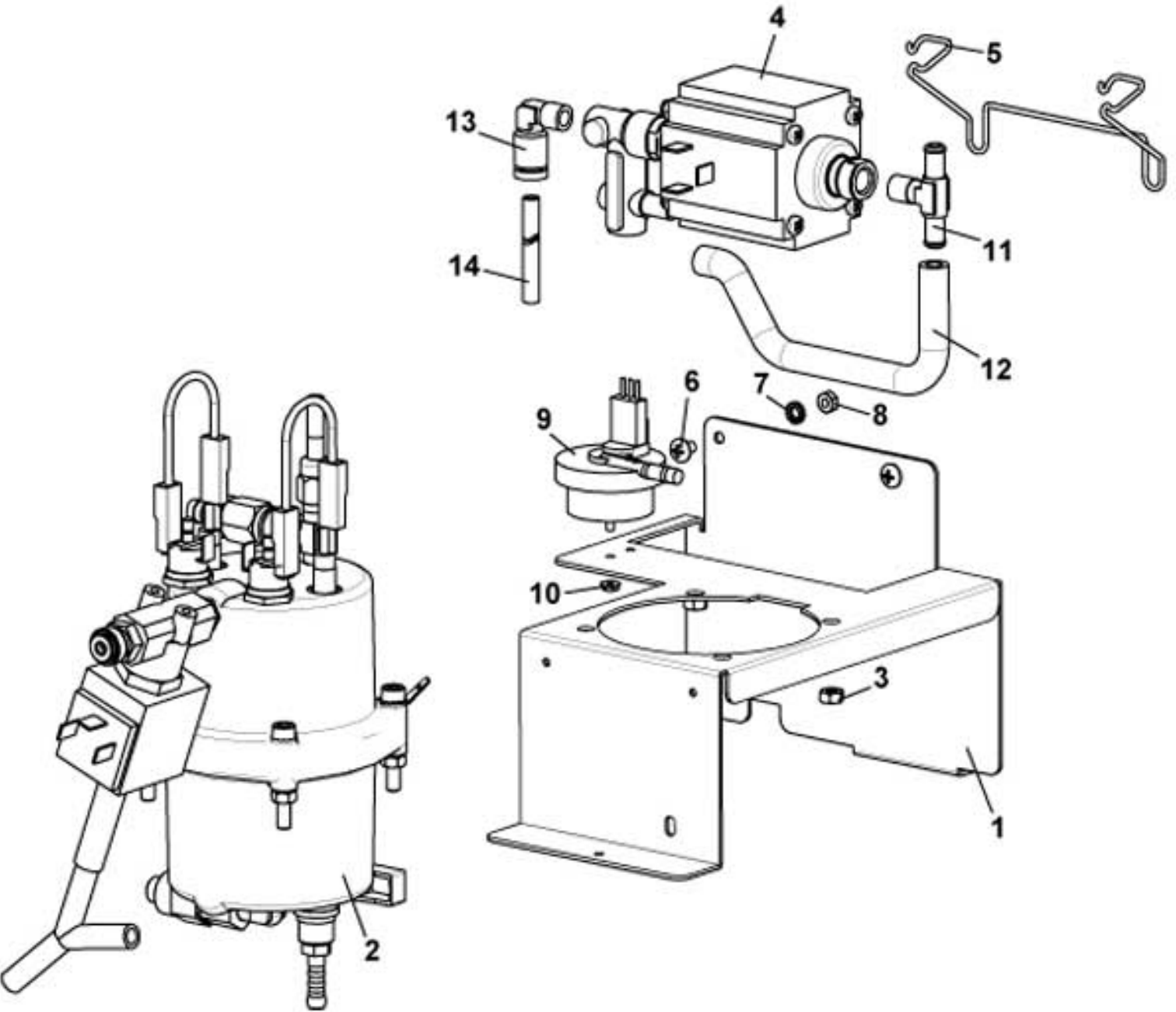


Pos.	Code	Description
1	0800013041	TANK
2	0110020007	D.20 PLASTIC FILTER
3	TSIL07/11T	TRANSPARENT SILICONE PIPE D.7 x 11
4	0100001065	'Y' FITTING
5	650001057	DISCHARGE PLUG
6	0800009211	ELBOW WITH RAPID CONNECTION
7	GUA0000043	OR 109
8	TSIL06/11T	TRANSPARENT SILICONE PIPE
9	0800013043	TANK COVER
10	0800013046	FLOATER TANK
11	GUA0000082	SILICONE GASKET D.6
12	ELE0001514	3 A 250 V MICROSWITCH
13	VIT0002013	2.9 x 19 TAPPING TCB SCREW
14	0100003003	TEE UNION
100	0800014001R	AIR BREAK



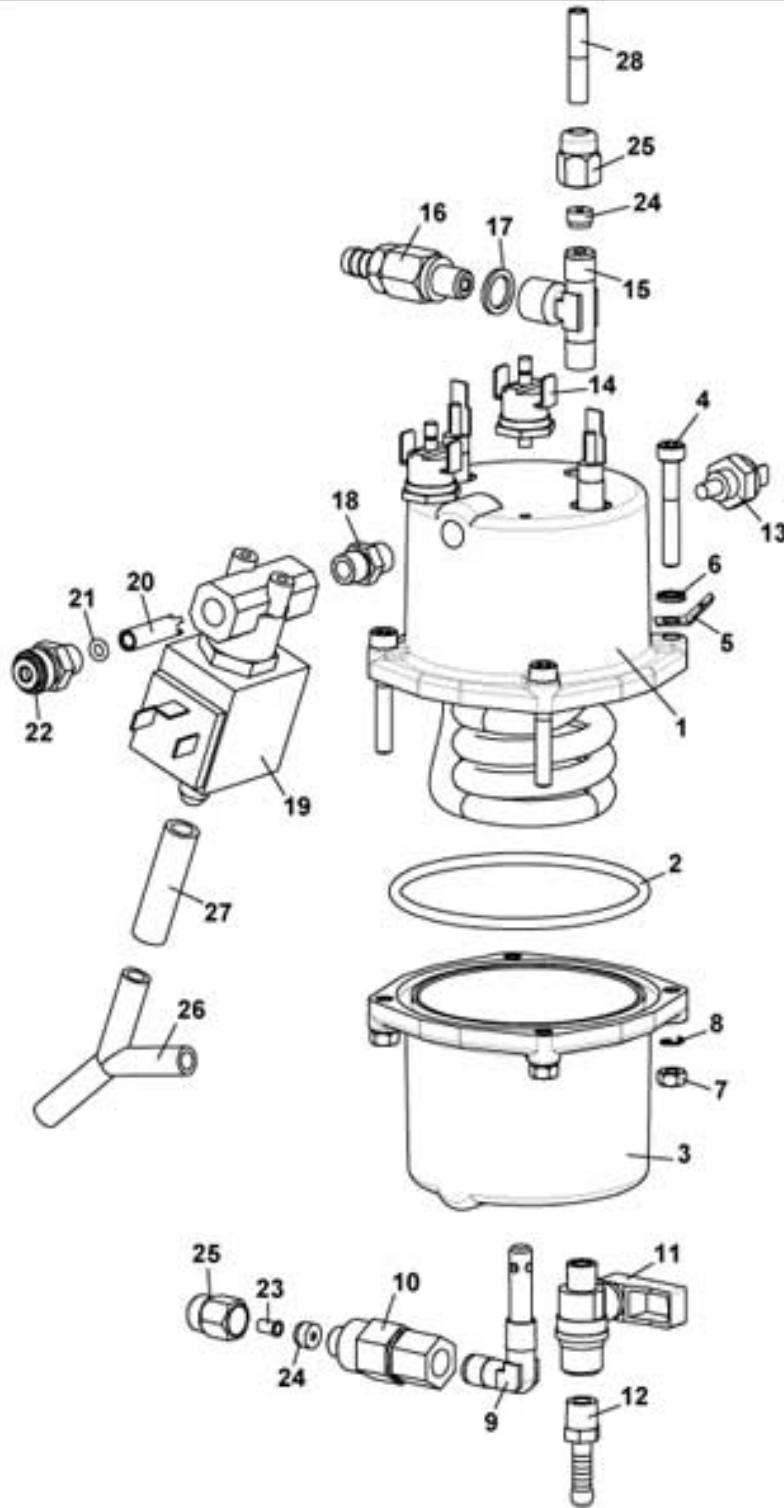
LUCX2 - COFFEE BEANS GROUP SUPPORT

Pos.	Code	Description
1	0260010102	MICRO GROUP MOTOR SUPPORT
	0260010102CK	MICRO GROUP MOTOR SUPPORT DUST GREY RAL 7037
	0260010102KE	MICRO GROUP MOTOR SUPPORT FIRE RED RAL 3000
2	0090002191	11 RPM 24V DC MOTOR
3	0090002181	COFFEE BEANS GROUP SHAFT
4	VIT0000030	SCREW TCB M4 x 7
5	0250008093	MICRO PLATE
6	0250008091	MICRO SPACER
7	4600010014	MICRO SPACER
8	ELE0001528	MICRO 83.161.832
9	ELE0001904	MICRO LEVER
10	VIT0000007	M 3x20 TCB SCREW
11	VIT0004701	M3 FR NUT
12	0250008126	SPECIAL M4 PIN
13	VIT0005521	4x25 TCEI SCREW
14	VIT0003103	WASHER tab D. 4.3
15	VIT0003301	WASHER D.12 x 4.3 x 1.5
16	0250008043	GROUP READER DISK
17	VIT0000012	SCREW T.C.B. M 4 x 10
18	0250008012	MOTOR CRANK
19	0250008034	HOOKING LEVER
20	0250008059	SPRING FOR HOOKING LEVER
21	VIT0005205	4 x 40 CYLINDRICAL PIN
22	VIT0005508	4x12 TCEI SCREW
23	VIT0003003	WASHER D.8 x 4.3 x 0.8
100	0260010129CL	"LIP" ASSEMBLED MICRO COFFEE GROUP MOTOR SUPPORT

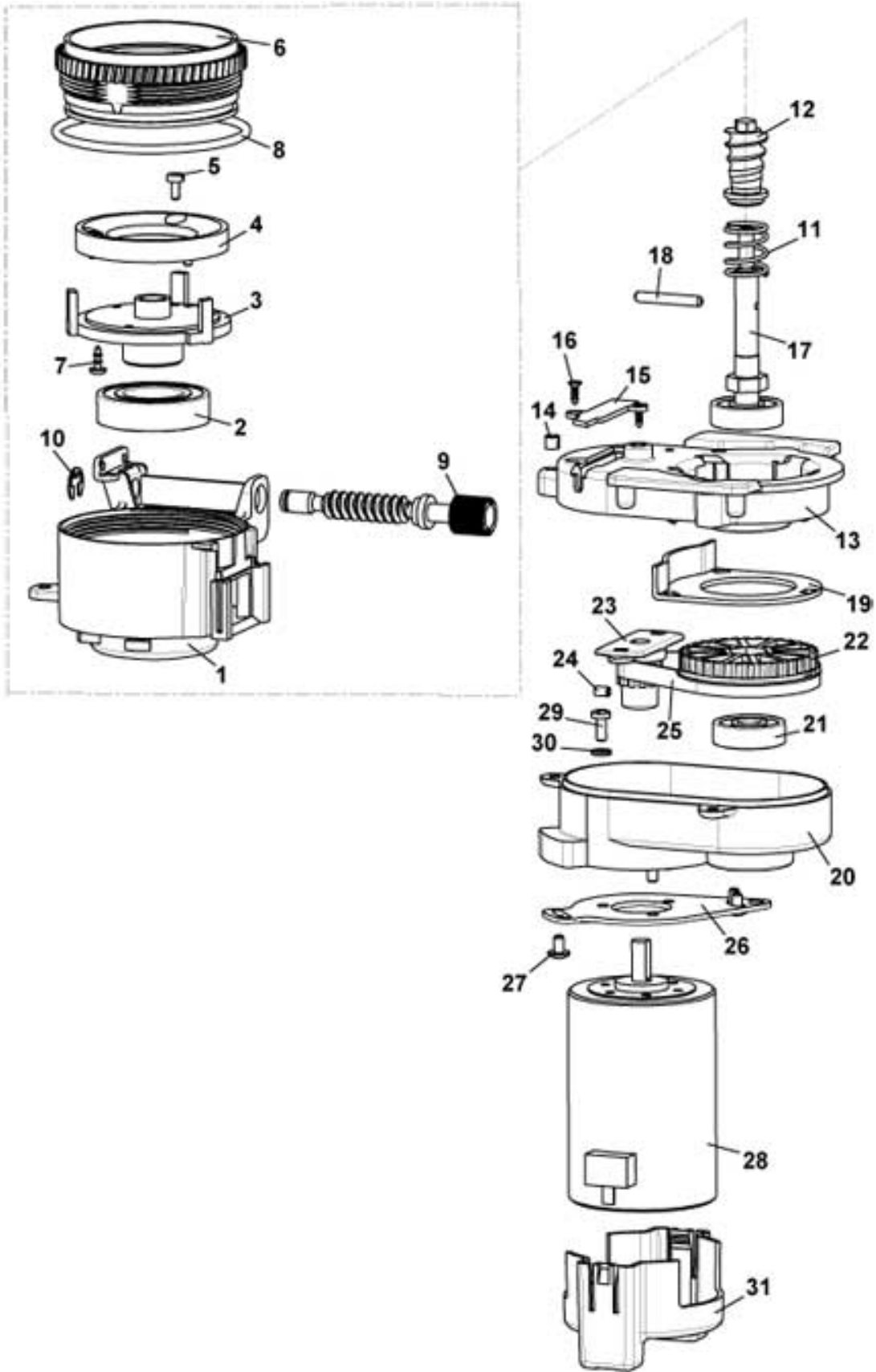


LUCE X2 - PRESSOBEAN BOILER SUPPORT

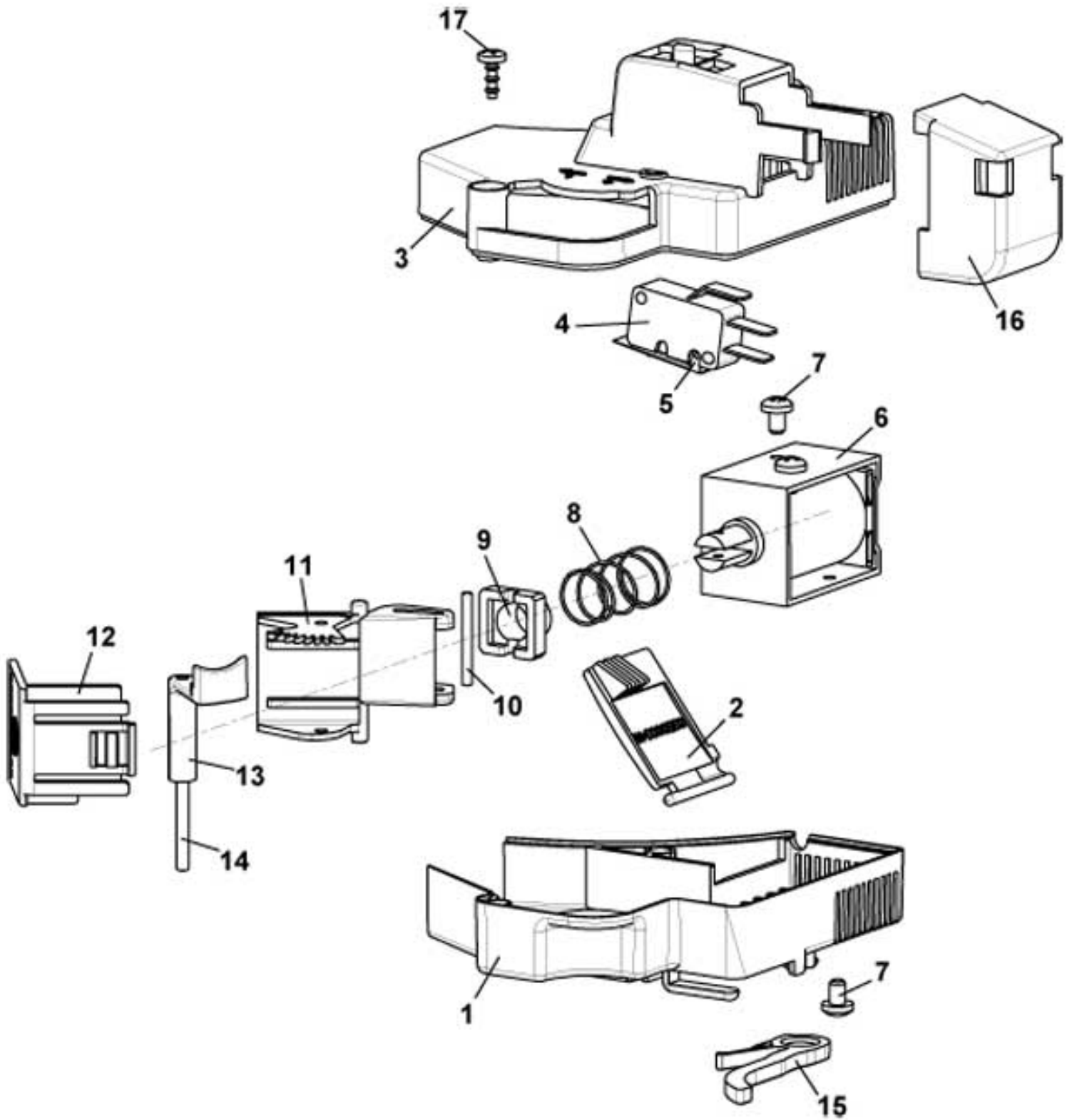
Pos.	Code	Description
1	0260011012	GM WATER COMPONENTS SUPPORT
2		See table MICRO GROUP BOILER
3	VIT0004504	M 4 NUT
4/a	0110004002	'AP' PUMP FOR COFFEE BEANS GROUP D. 36
4/b	0110004001	ELECTROMAGNETIC PUMP 7 bar FOR COFFEE BEANS GROUP D. 40
5	0110004020	PUMP SUPPORT
6	VIT0000030	SCREW TCB M4 x 7
7	VIT0003103	WASHER tab D. 4.3
8	VIT0004503	NUT M 4
9	0110007003	VOLUME COUNTER W/RUBBERHOLDER
10	VIT0004701	M3 FR NUT
11/a	0110004032	STRAIGHT TERMINAL T 6 - 1/8 LAV. FOR COFFEE BEANS GROUP D. 36
11/b	820001039	ELBOW TO RUBBERHOLDER CONNECTION FOR COFFEE BEANS GROUP D. 40
12	TSIL06/11T	TRANSPARENT SILICONE PIPE
13	0100001056	TURNING ELBOW 6-1/4 VITON OR
14	TNAY000001	D.6*4 POLYAMIDE PIPE



Pos.	Code	Description
1	0600019102	UPPER BOILER CASING
2	GUA0000095	OR 4300 SILICONE
3	0600019103	LOWER BOILER CASING
4	VIT0000245	M5x35 TCEI SCREW
5	0600019012	MASS BLOCK
6	VIT0003104	WASHER tab D. 5.1
7	VIT0004504	M 4 NUT
8	VIT0003406	D.5.3 GROWER WASHER
9	0600019115	INOX ELBOW CONNECTION
10	0110002012R	1/8M INLET - 1/8F OUTLET NON-RETURN VALVE
11	0600019017	COCK M/F 1/8
12	0100001082	RUBBER HOLDER DIR. D.7 1/8
13	ELE0000975	ESPRESSO PROBE
14	ELE0000976	MANUAL RESET THERMOSTAT 120°C
15	0100001086	T UNION M-F-M- 1/8
16	0110002013	SAFETY VALVE (12 BAR)
17	0100003016	COPPER GASKET D. 14,5 x 10,5 x 1,5
18	0100001084	NIPPLO GC 1/8
19	0110001112	EV 3 WAY F-F 1/8 24V DC
20	0110003122	OR SPACER
21	GUA0000069	2015 OR
22	0110003121	WATER OUTLET UNION
23	0100002005	STRENGTHENING BUSH D.4
24	0100002002	LOCKING RING D.6
25	0100001002	NUT FOR PIPE FITTING D.6
26	0100001065	'Y' FITTING
27	TSIL07/11T	TRANSPARENT SILICONE PIPE D.7 x 11
28	TCU0000002	D.4x6 COPPER PIPE
100	0600019200CL	E BOILER FOR MICRO GROUP



Pos.	Code	Description
1	0320001525	MILLS SUPPORT W/REGULATION
	0320001525AH	MILLS SUPPORT W/REGULATION RAL 9003 SIGNAL WHITE
2	VIT0009307	6005-2RS1 BEARING
3	0320001536	WORKED LOWER MILL SUPPORT
4	0090003004	53/S GRINDER COUPLE
5	VIT0000024	M 4x8 TCB SCREW
6	0320001515	REGULATION RING NUT
	0320001515AH	REGULATION RING NUT RAL 9003 SIGNAL WHITE
7	VIT0002015	TAPPING SCREW TCB 3,5 x 9,5
8	GUA0000101	SILICONE 3262 OR
9	0320001514	REGULATION SCREW
	0320001514AH	REGULATION SCREW RAL 9003 SIGNAL WHITE
10	VIT0006506	D.7 RADIAL STOP RING
11	0320001533	CONTRAST SPRING
12	0320001538	LOWER MILL BODY STOPPER
13	0320001513	UPPER CARTER
	0320001513AH	UPPER CARTER RAL 9003 SIGNAL WHITE
14	VIT0009202	M 4 CONNECTION FOR THERMOPLASTIC
15	0320001521	SENSOR COVER
	0320001521AH	SENSOR COVER RAL 9003 SIGNAL WHITE
16	VIT0002107	2,9x6,5 TAPPING TSP SCREW
17	0320001512	TRANSMISSION SHAFT
18	VIT0005101	3 x 16 SPIROL PIN
19	0320001524	COVER
	0320001524AH	COVER RAL 9003 SIGNAL WHITE
20	0320001506	LOWER CARTER
	0320001506AH	LOWER CARTER RAL 9003 SIGNAL WHITE
21	VIT0009311	SKF 6002-2RS1 BEARING
22	0320001531	HEXAGONAL SHAFT PLACE PULLEY
	0320001531AH	HEXAGONAL SHAFT PLACE PULLEY RAL 9003 SIGNAL WHITE
23	0320001537	ENGINE PULLEY
24	VIT0007002	M 4 x 6 DOWEL
25	0090006006	TOOTHED BELT
26	0320001522	MOTOR SUPPORT FLANGE
27	VIT0000030	SCREW TCB M4 x 7
28	0090003045	MILL 220 V DC MOTOR CL.F BL
29	VIT0000012	SCREW T.C.B. M 4 x 10
30	VIT0003103	WASHER tab D. 4.3
31	0320001519	MILL CONTACT PROTECTION
	0320001519AH	MILL CONTACT PROTECTION RAL 9003 SIGNAL WHITE
100	0320001505CL	VERTICAL MILL WITH BELT

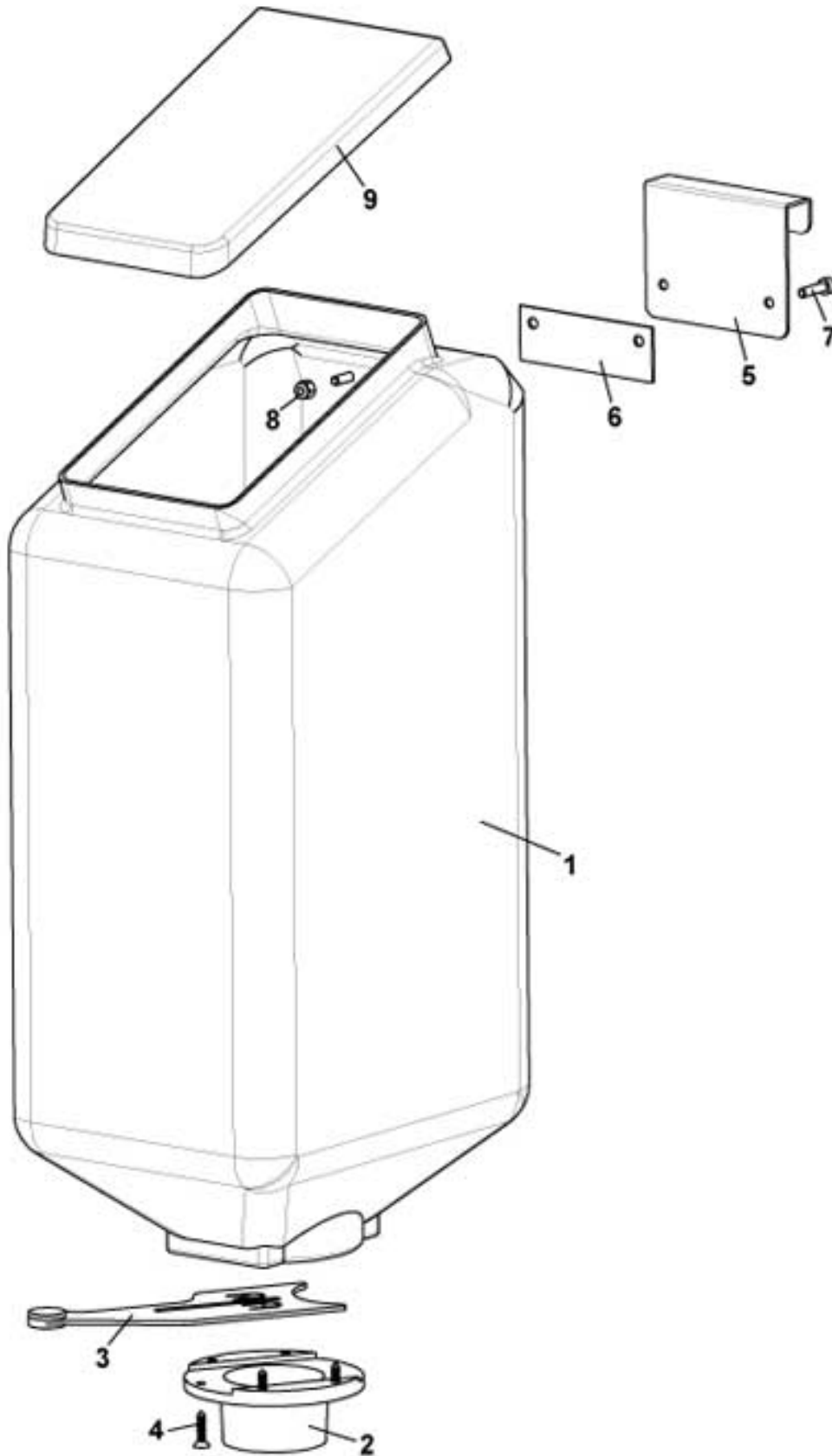


LUCÉ X2 - PLASTIC BATCHER WITH SETTING

Pos.	Code	Description
1	0350003406	LOWER SEMI-MONOCOQUE
	0350003406AH	LOWER SEMI-MONOCOQUE RAL 9003 SIGNAL WHITE
2	0350003411	TAB
	0350003411AH	TAB RAL 9003 SIGNAL WHITE
3	0350003407	UPPER SEMI-MONOCOQUE
	0350003407AH	UPPER SEMI-MONOCOQUE RAL 9003 SIGNAL WHITE
4	ELE0001522	1-WAY 16 A 250 V MICROSWITCH
5	ELE0001906	161 E R 24.1 MICRO LEVER
6	ELE0000063	EM PR3 8% 24V DC WITH CABLES
7	VIT0000021	M 4x6 TCB SCREW
8	0350003412	BATCHER SPRING
9	0350003417	SPRING FLANGE
	0350003417AH	SPRING FLANGE RAL 9003 SIGNAL WHITE
10	VIT0005212	2.5 x 24 CYLINDRICAL PIN
11	0350003408	BALANCING
	0350003408AH	BALANCING RAL 9003 SIGNAL WHITE
12	0350003409	REGULATION
	0350003409AH	REGULATION RAL 9003 SIGNAL WHITE
13	0350003414	REGULATION LEVER
	0350003414AH	REGULATION LEVER RAL 9003 SIGNAL WHITE
14	VIT0005219	3 x 30 CYLINDRICAL PIN
15	0350003416	LEVER RELEASE BATCHER
	0350003416AH	LEVER RELEASE BATCHER RAL 9003 SIGNAL WHITE
16	0350003415	MICRO CABLES PROTECTION
	0350003415AH	MICRO CABLES PROTECTION RAL 9003 SIGNAL WHITE
17	VIT0002469	SCREW TC 3.5 x 10
100	0350003400CL	5,5/12GR 24VDC COFFEE PLASTIC BATCHER 9gr

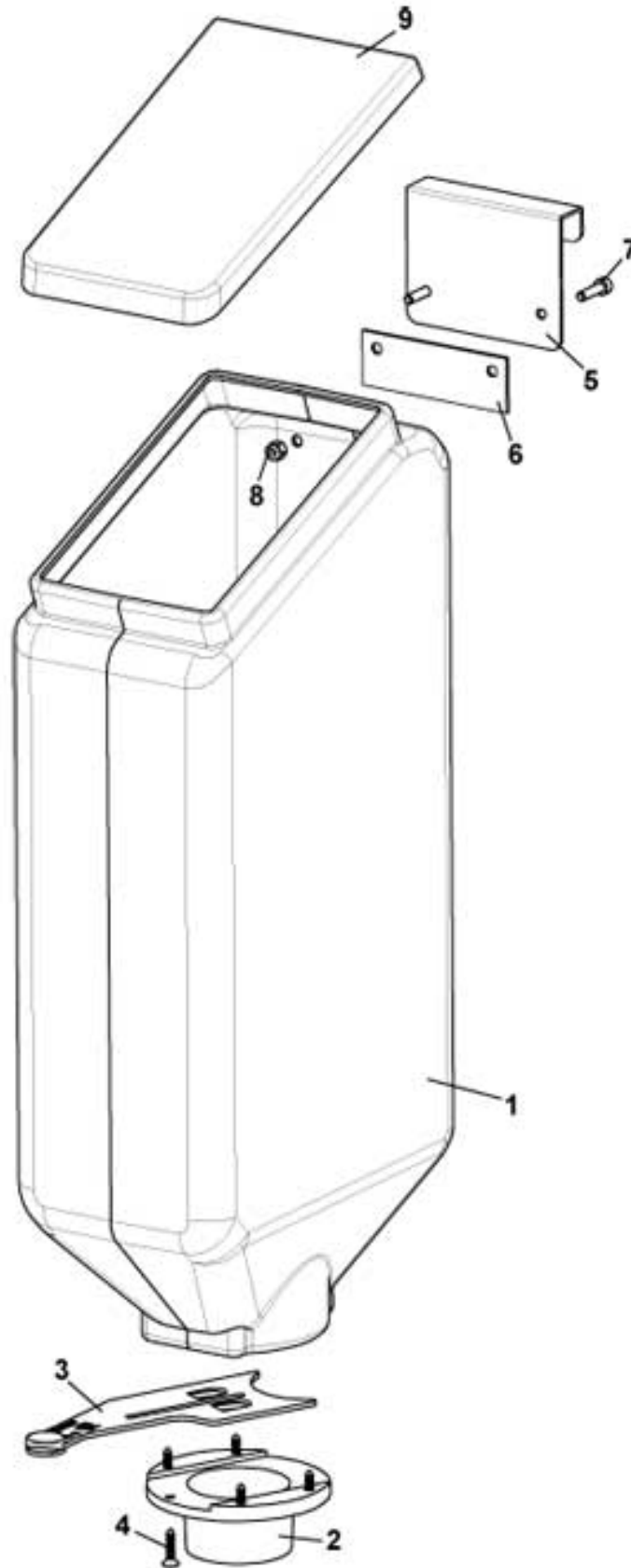
LUCE X2 - PRODUCTS CONTAINER

Pos.	Code	Description	
1	70003002	COINTAINER COVER	
2/a	70003001A	POLYETHYLENE CONTAINER WITH HOLES	It's part of kit 70003001AR
2/b	70003001B	POLYETHYLENE CONTAINER WITHOUT HOLES	It's part of kit 70003001BR
2/c	0230008003	POLYETHYLENE CONTAINER WITH H.650 HOLES	
3	70003061	SUGAR CHUTE PLUG (OPEN/CLOSED)	
4/a	70003003	UPPER HOOKING PLATE	
4/b	0230012018	UPPER PLATE	
5	0230012012	DRIVING RING GEAR SQUARE SEAT	
6	VIT0004803	STAINLESS STEEL NUT M4	
7	VIT0003202	STAINLESS STEEL FLAT WASHER D.4,3 x 9 x 0,8	
8	70003006	REAR SUPPORTING BUSH	
9	GUA0000015	GASKET 119	
10	0230012006	WORM SCREW WITH FLANGE	
11	VIT0005301	ELASTIC PIN D.2 x 14	
12/a	70003016	P.18 WORM SCREW SPRING	
12/b	0230024009	WORM SCREW SPRING P.9	
13	70003010	BUSH TIE-BOLT	
14/a	70003008	FRONT BUSH	
14/b	70003007	FRONT BUSH	
15	70003028	STOP PIN	
16	70003027	MIXER MALE BUSH	
17	70003012	PLASTIC MIXER GEAR	
18	70003026	MIXER FEMALE BUSH	
19	70003029	STOP DISK	
20	VIT0007102	BENZING-QUICKLOCK	
21	11837	MIXER	
22	VIT0001205	M 4x12 TSP SCREW	
23	VIT0004810	M 4 SELFLOCKING NUT	
24	0230030302	PRODUCT CHUTE CONNECTION	
25	0230030303	STRAIGHT PRODUCT CHUTE	
26	0230030304	INCLINED PRODUCT CHUTE	
27	0230016024	SUGAR FEEDER	
28	TSIL15/19T	D.15X19 NATURAL TRANSPARENT SILICONE PIPE	
100	0230016005R	(**)WORM SCREW P.18 PRODUCT CONTAINER ASSEMBLY	
101	0230017007R	PRODUCT CONTAINER PLATIC WHEEL P.9 ASS.	
102	0230017008R	PRODUCT CONTAINER PLATIC WHEEL P.18 ASSEM.	
103	0230018009R	ROBO MIXER PRODUCT CONTAINER P.18 ASSEM.	
104	0230019005R	TEA PRODUCT CONTAINER PLATIC WHEEL P.9 ASSEM.	
105	0230019006R	TEA PRODUCT CONTAINER PLATIC WHEEL P.18 ASSEM.	assieme
106	0230012012R	DRIVING RING GEAR - WORM SCREW PIN W/FLANGE ASSEMBLY	assieme



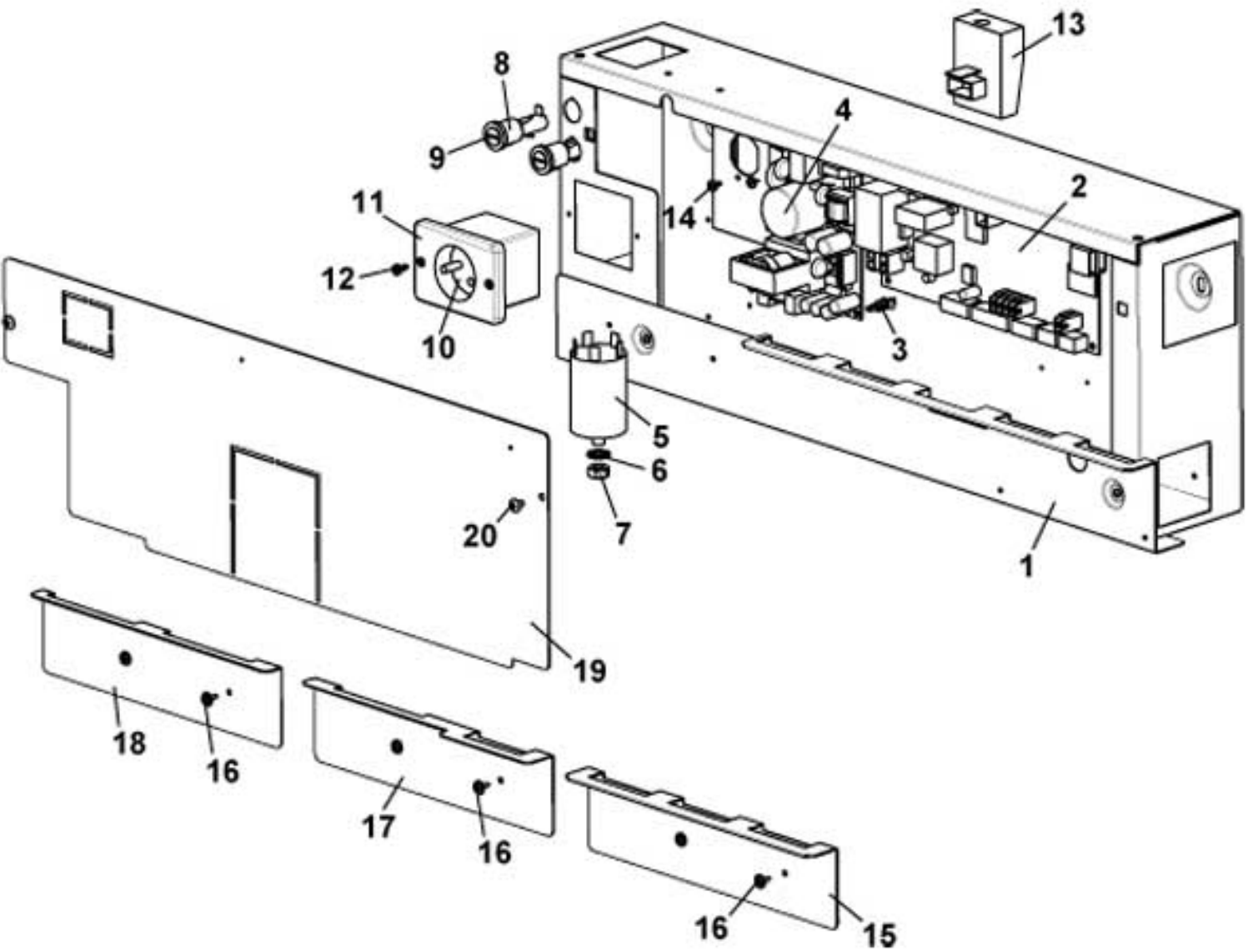
LUCE X2 - 1 WHEEL COFFEE BEANS CONTAINER

Pos.	Code	Description
1	0230030415	1 WHEEL COFFEE CONTAINER
2	0230015066	COFFEE CONTAINER BOTTOM
	0230015066NA	COFFEE CONTAINER BOTTOM BLACK
3	0230015207	COFFEE CONTAINER BLADE
	0230015207IC	COFFEE CONTAINER BLADE ORANGE RAL 2011
4	VIT0002104	2.9x 13 STAINLESS STEEL TAPPING TCB SCREW
5	0230030408	COFFEE CONTAINER CONNECTION
6	0230030426	REINFORCEMENT PLATE
7	VIT0005510	4x16 TCEI SCREW
8	VIT0004810	M 4 SELFLOCKING NUT
9	0230015057	COFFEE LITTLE CONTAINER COVER



LUCE X2 - 2 WHEELS PRODUCTS CONTAINER

Pos.	Code	Description
1	0230030405	2 WHEELS COFFEE CONTAINER
2	0230015066	COFFEE CONTAINER BOTTOM
	0230015066NA	COFFEE CONTAINER BOTTOM BLACK
3	0230015207	COFFEE CONTAINER BLADE
	0230015207IC	COFFEE CONTAINER BLADE ORANGE RAL 2011
4	VIT0002104	2.9x 13 STAINLESS STEEL TAPPING TCB SCREW
5	0230030408	COFFEE CONTAINER CONNECTION
6	0230030426	REINFORCEMENT PLATE
7	VIT0005510	4x16 TCEI SCREW
8	VIT0004810	M 4 SELFLOCKING NUT
9	0230015057	COFFEE LITTLE CONTAINER COVER



Pos.	Code	Description
1	0130012105	CONTROL PANEL STRUCTURE
2	SCH0007700	POWER BOARD
3	ELE0062003	BOARD SUPPORT
4	SCH0007621	SWITCH. BOARD 220V U24V-5V "CE"
5	ELE0009055	ANTIPARASITIC FILTER
6	VIT0003106	WASHER tab D. 8
7	VIT0004506	M 8 NUT
8	ELE0003507	FUSES HOLDER
9	ELE0003024	SLOW-BLOW CERAMIC TYPE 6.3A FUSES 5 x 20
10	ELE0002306	GW 20207 SOCKET 2P + GROUND TAP
11	ELE0002307	OLATINE 2 PLACES GW 24010
12	VIT0002004	TAPPING SCREW TCB 3.5 x 13
13	ELE0002410	EXTERNAL TRIPOLAR TERMINAL BLOCK
14	VIT0002009	SCREW T.C.B. 3,5 x 6,5
15	0130012109	ADDED H3 CONTAINER SUPPORT
16	VIT0002401	SCREW TCB 3.5 x 9.5
17	0130012112	ADDED E1 CONTAINER SUPPORT
18	0130012111	ADDED E2 CONTAINER SUPPORT
19	0130012113	CONTROL PANEL PROTECTION
20	VIT0000030	SCREW TCB M4 x 7